



Chipsmall Limited consists of a professional team with an average of over 10 year of expertise in the distribution of electronic components. Based in Hongkong, we have already established firm and mutual-benefit business relationships with customers from,Europe,America and south Asia,supplying obsolete and hard-to-find components to meet their specific needs.

With the principle of "Quality Parts,Customers Priority,Honest Operation,and Considerate Service",our business mainly focus on the distribution of electronic components. Line cards we deal with include Microchip,ALPS,ROHM,Xilinx,Pulse,ON,Everlight and Freescale. Main products comprise IC,Modules,Potentiometer,IC Socket,Relay,Connector.Our parts cover such applications as commercial,industrial, and automotives areas.

We are looking forward to setting up business relationship with you and hope to provide you with the best service and solution. Let us make a better world for our industry!



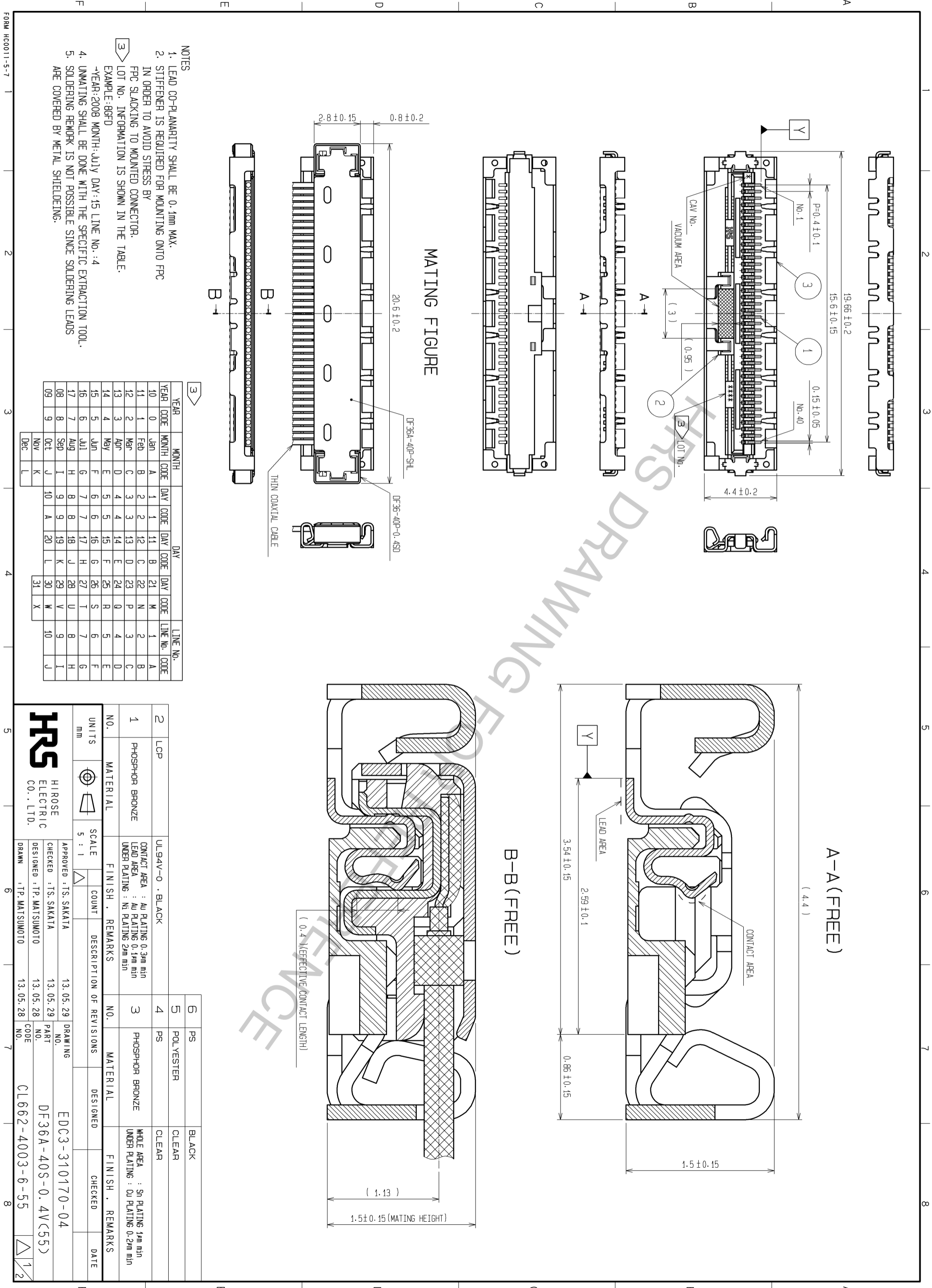
## Contact us

Tel: +86-755-8981 8866 Fax: +86-755-8427 6832

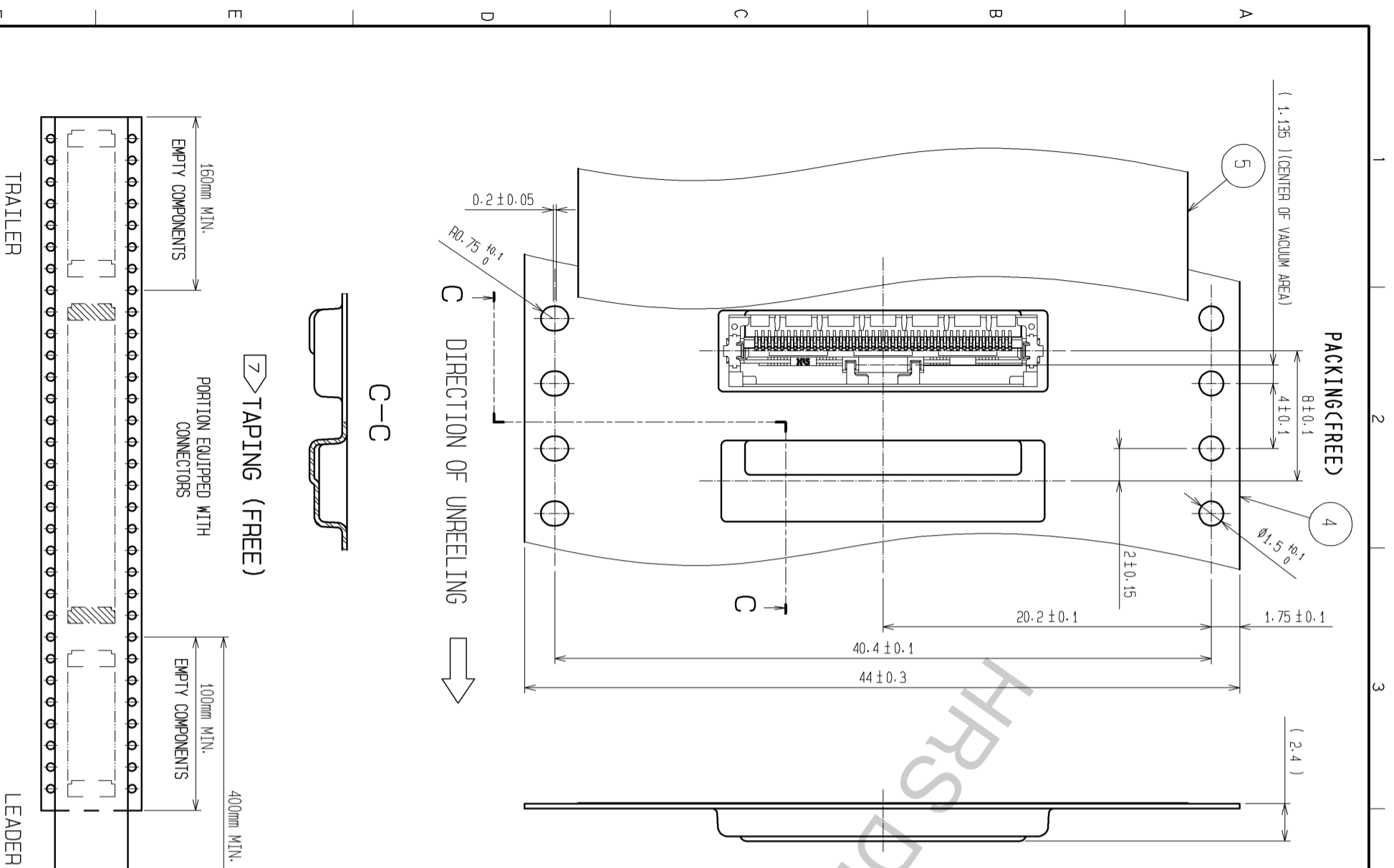
Email & Skype: info@chipsmall.com Web: www.chipsmall.com

Address: A1208, Overseas Decoration Building, #122 Zhenhua RD., Futian, Shenzhen, China

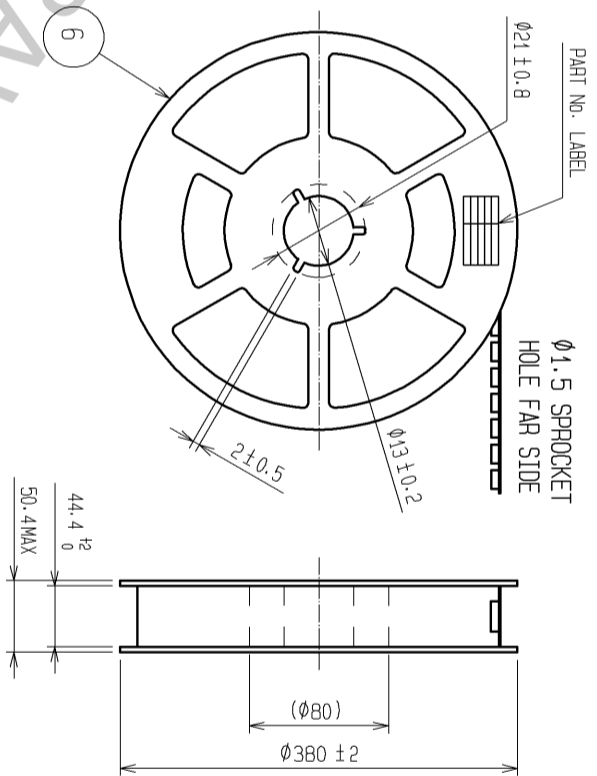




PACKING(FREE)



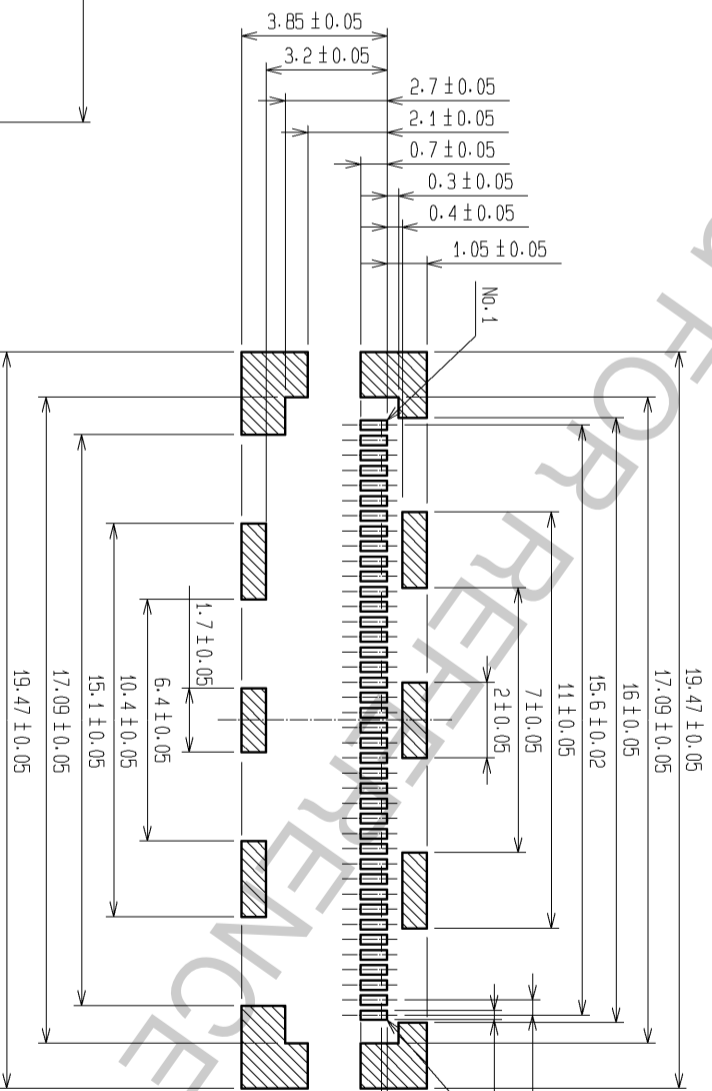
STYLE AND DIMENSION OF REEL (FREE)



DETAIL OF PART NO. LABEL

生産月日	年 月 日
製品コード	CL662-4003-6-55
製品名	DF36A-40S-0.4V(55)
納入数量	500PCS
納入者	ヒロセ電機(株)
SUPPLIER	
QUANTITY	
PART NO.	
CODE NO.	
DATE OF MANUFACTURED	

RECOMMENDED PATTERN



RECOMMENDED METAL MASK  
 THICKNESS: 0.1mm  
 OPENING RATIO: LEAD AREA 90%  
 GROUND AREA 100%

GROUND AREA

NOTES 6. PER REEL : 500 COMPARTMENTS  
 REFER TO JIS C 0806. (PACKAGING OF COMPONENTS FOR AUTOMATIC HANDLING)  
 7. THE DIMENSIONS IN PARENTHESES ARE FOR REFERENCE.

TRAILER

LEADER

TAPING (FREE)

PORTION EQUIPPED WITH EMPTY COMPONENTS

EMPTY COMPONENTS

400mm MIN.

100mm MIN.

EMPTY COMPONENTS

160mm MIN.

EMPTY COMPONENTS

FORM HC0011-5-8

**HRS**

DRAWING NO.	EDC3-310170-04
PART NO.	DF36A-40S-0.4V(55)
CODE NO.	CL662-4003-6-55

2/2