



Chipsmall Limited consists of a professional team with an average of over 10 year of expertise in the distribution of electronic components. Based in Hongkong, we have already established firm and mutual-benefit business relationships with customers from,Europe,America and south Asia,supplying obsolete and hard-to-find components to meet their specific needs.

With the principle of “Quality Parts,Customers Priority,Honest Operation,and Considerate Service”,our business mainly focus on the distribution of electronic components. Line cards we deal with include Microchip,ALPS,ROHM,Xilinx,Pulse,ON,Everlight and Freescale. Main products comprise IC,Modules,Potentiometer,IC Socket,Relay,Connector.Our parts cover such applications as commercial,industrial, and automotives areas.

We are looking forward to setting up business relationship with you and hope to provide you with the best service and solution. Let us make a better world for our industry!



Contact us

Tel: +86-755-8981 8866 Fax: +86-755-8427 6832

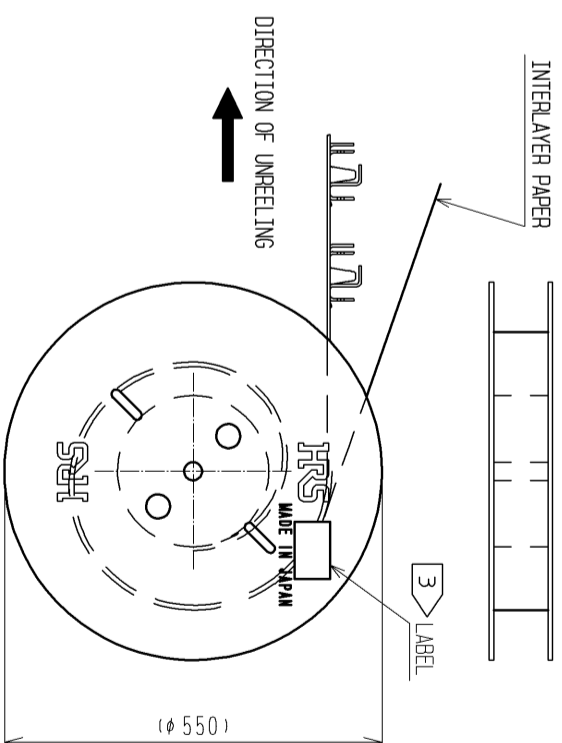
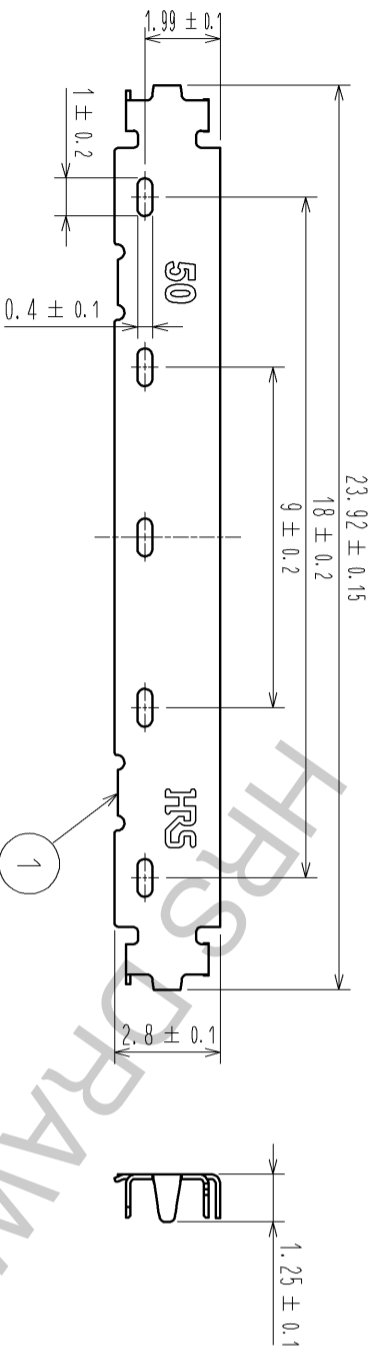
Email & Skype: info@chipsmall.com Web: www.chipsmall.com

Address: A1208, Overseas Decoration Building, #122 Zhenhua RD., Futian, Shenzhen, China

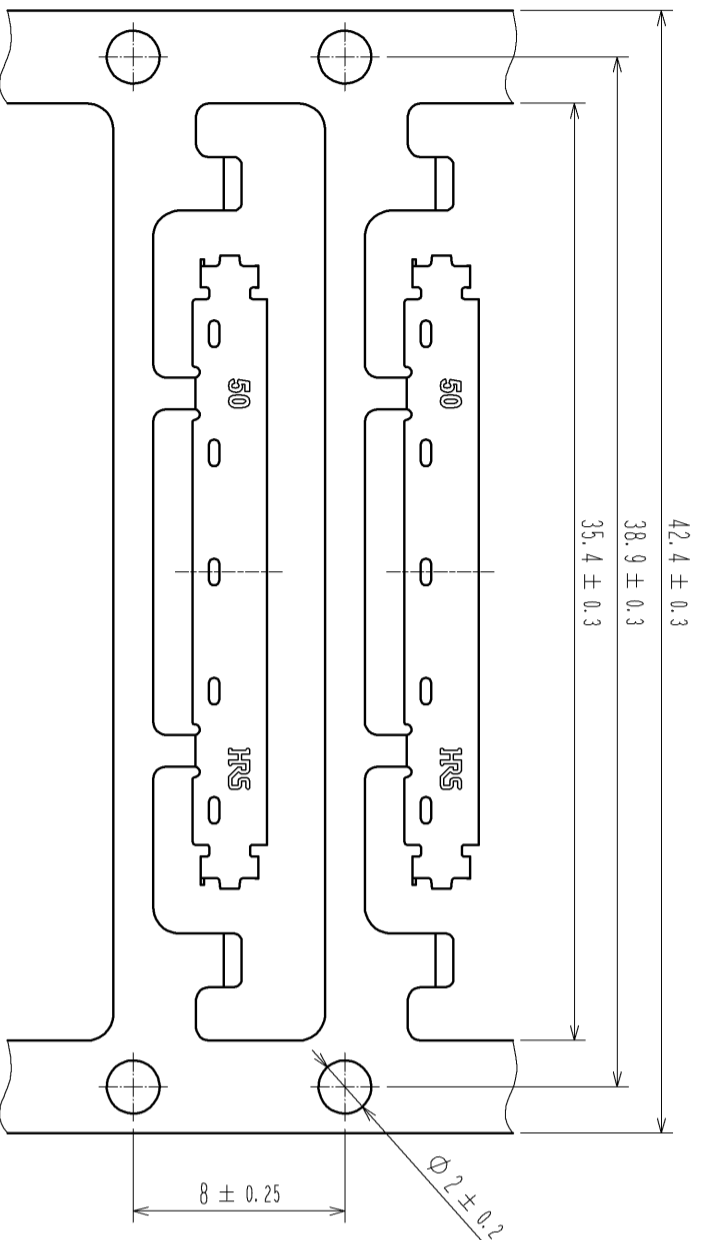




REEL STATE DRAWING(FREE)



CAREER STATE DRAWING(FREE)



DIRECTION OF UNREELING

NOTES 1. PER REEL : 10000 COMPONENTS

2. THE ASSEMBLY IS COMPLETED BY COMBINING TWO PARTS(CONNECTOR UNIT, AND METAL SHIELDING). REFER TO THE TABLE FOR EACH ITEM NO., PART NAME, PART NO. AND CODE NO.

ITEM NO.	PART NAME	PART NO.	CODE NO.
1	CONNECTOR UNIT	DF36-50P-0.4SD(51)	CL662-4044-3-51
	METAL SHIELDING	DF36A-50P-SHL	CL662-4045-6-00

3 LABEL DETAILS

CODE No. 品名コード	CL 662-4045-6-00	INSPECTION 検査
PART NO. 品名	DF36A-50P-SHL	
QTY 数量	10,000 PCS	
PECULIAR 仕様		
Lot NO		
SPLICE 継ぎ目		

NO.	UNITS	MATERIAL	FINISH . REMARKS	NO.	MATERIAL	FINISH . REMARKS
1	FREE	PHOSPHOR BRONZE	WHOLE AREA : Sn PLATING 1μm min UNDER PLATING : Cu PLATING 0.2μm min			
SCALE		COUNT	DESCRIPTION OF REVISIONS	DESIGNED	CHECKED	DATE
APPROVED : TS. SAKATA		10.03.10	DRAWING	EDC3-320561-01		
CHECKED : TS. FUKUSHIMA		10.03.10	PART	DF36A-50P-SHL		
DESIGNED : KT. ISHII		10.03.09	PART			
DRAWN : YK. NAKATSU		10.03.09	CODE	CL662-4045-6-00		