



Chipsmall Limited consists of a professional team with an average of over 10 year of expertise in the distribution of electronic components. Based in Hongkong, we have already established firm and mutual-benefit business relationships with customers from,Europe,America and south Asia,supplying obsolete and hard-to-find components to meet their specific needs.

With the principle of “Quality Parts,Customers Priority,Honest Operation,and Considerate Service”,our business mainly focus on the distribution of electronic components. Line cards we deal with include Microchip,ALPS,ROHM,Xilinx,Pulse,ON,Everlight and Freescale. Main products comprise IC,Modules,Potentiometer,IC Socket,Relay,Connector.Our parts cover such applications as commercial,industrial, and automotives areas.

We are looking forward to setting up business relationship with you and hope to provide you with the best service and solution. Let us make a better world for our industry!



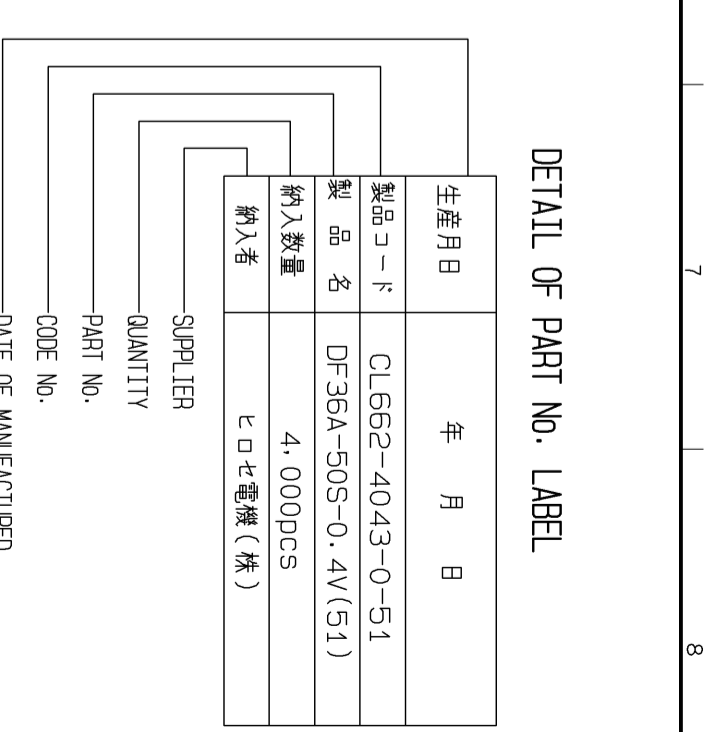
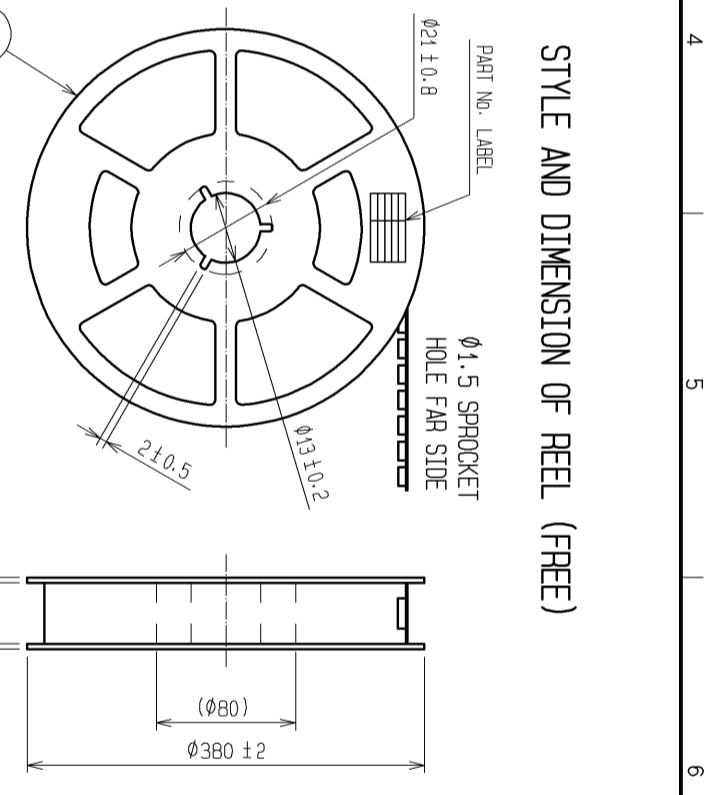
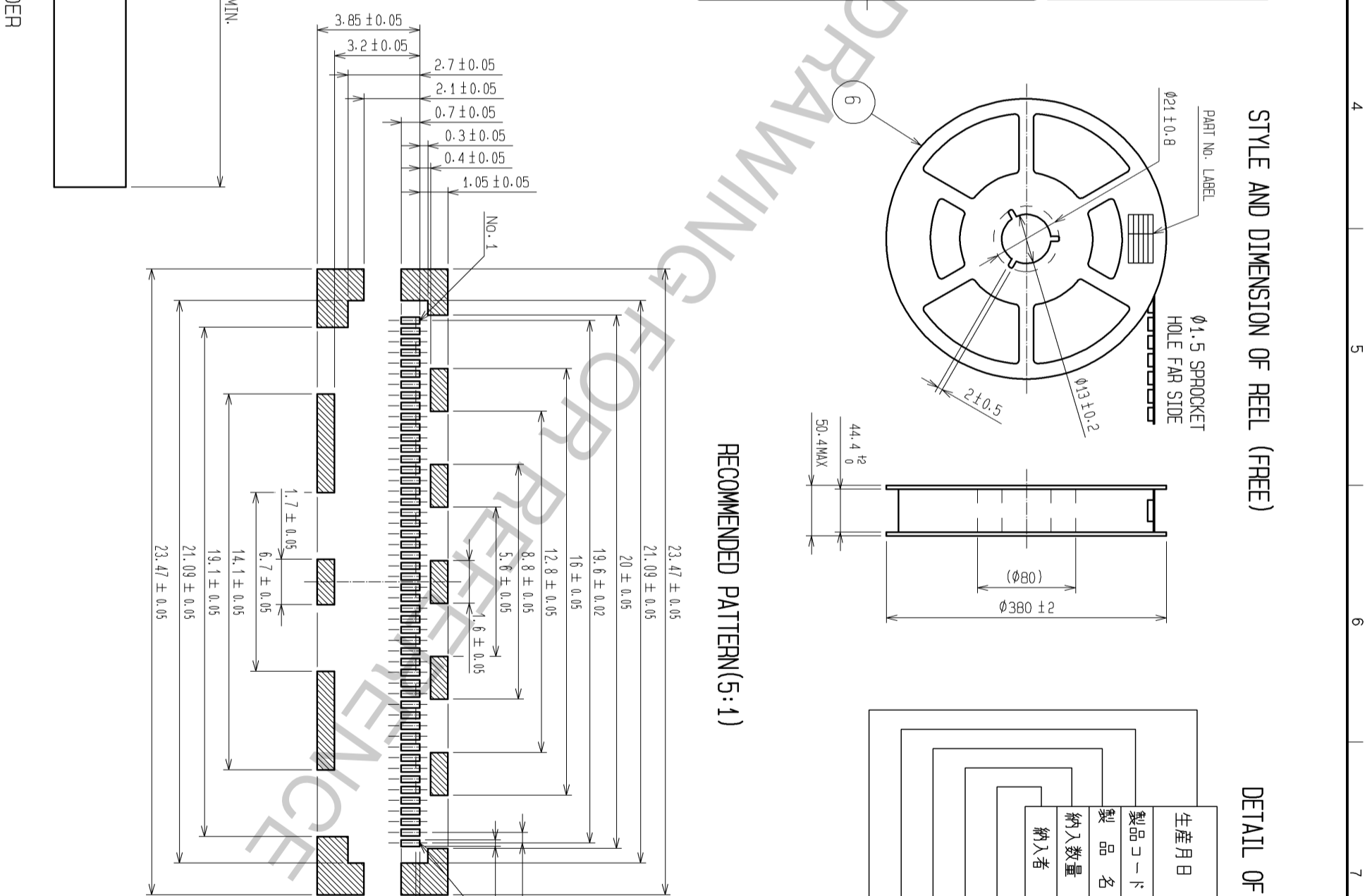
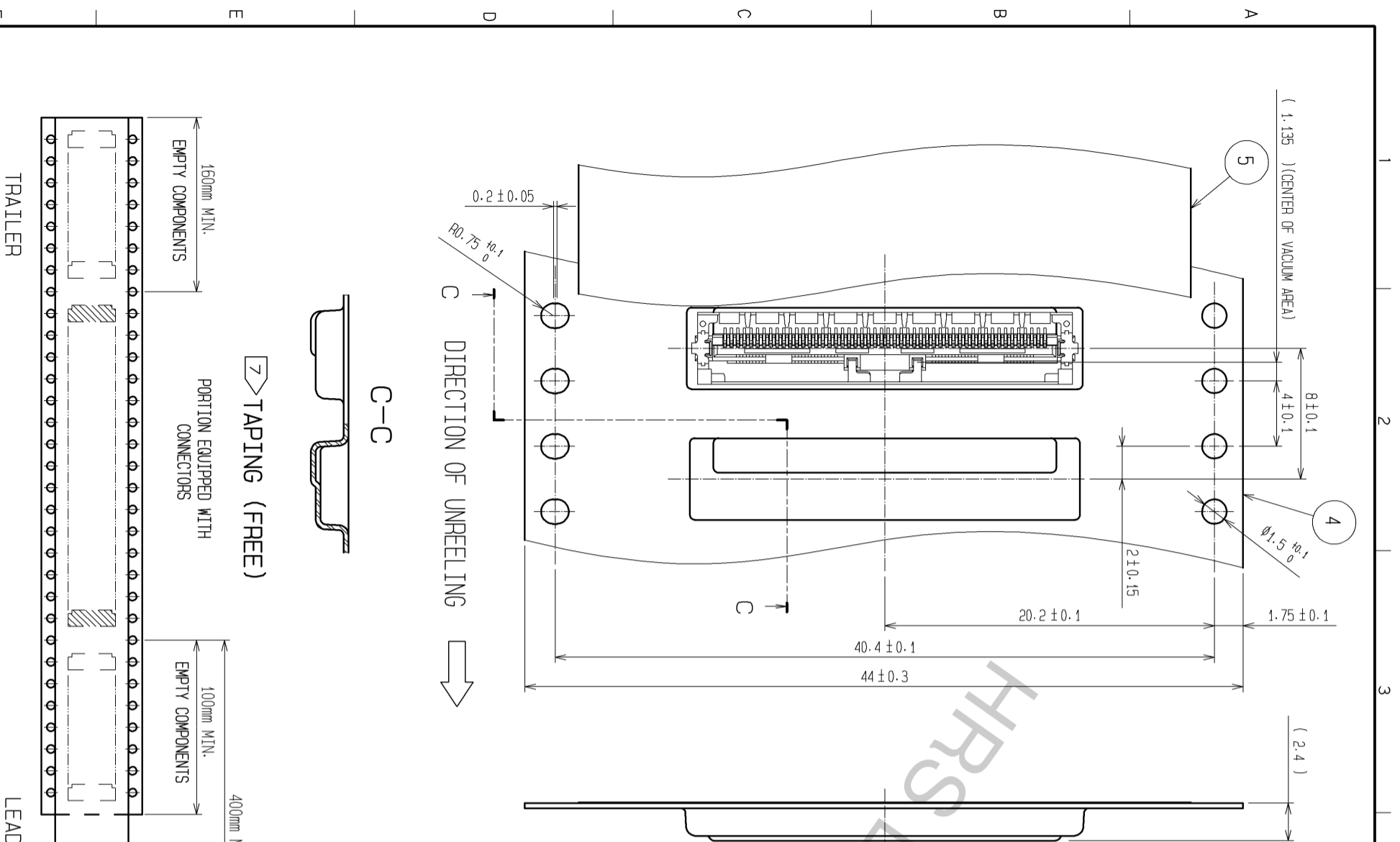
Contact us

Tel: +86-755-8981 8866 Fax: +86-755-8427 6832

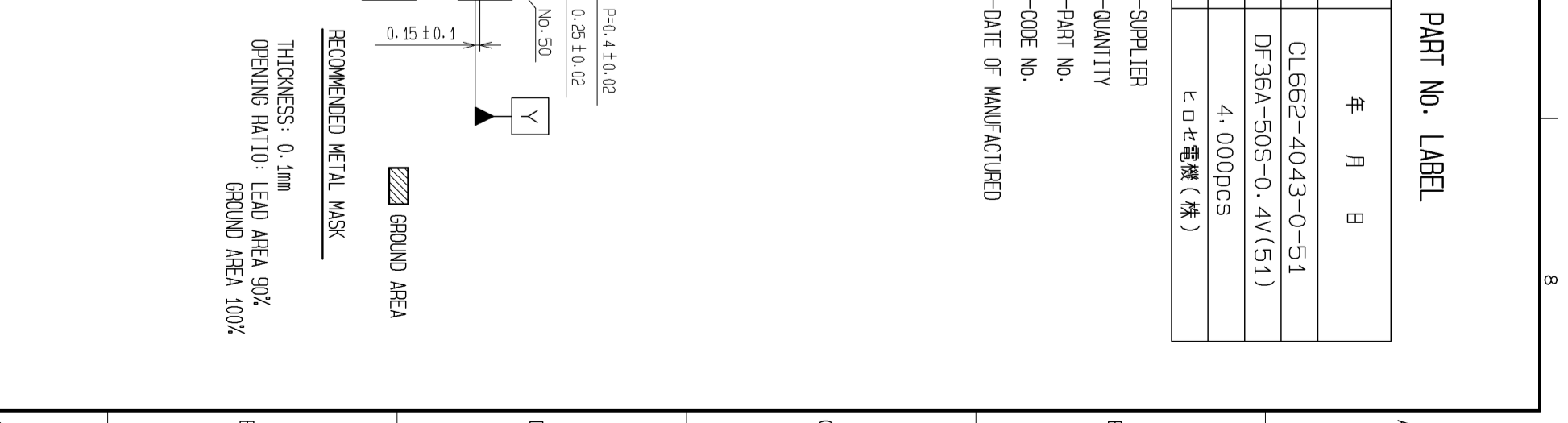
Email & Skype: info@chipsmall.com Web: www.chipsmall.com

Address: A1208, Overseas Decoration Building, #122 Zhenhua RD., Futian, Shenzhen, China





RECOMMENDED PATTERN(5:1)



FORM HC0011-5-8

NOTES 6. PER REEL: 4000 COMPONENTS

7 REFER TO JIS C 0806. (PACKAGING OF COMPONENTS FOR AUTOMATIC HANDLING)

8. THE DIMENSIONS IN PARENTHESES ARE FOR REFERENCE.

TRAILER

LEADER

160mm MIN. EMPTY COMPONENTS

100mm MIN. EMPTY COMPONENTS

400mm MIN.

PORTION EQUIPPED WITH CONNECTORS

7 TAPING (FREE)

DRIVING NO. EDC3-320558-01

PART NO. DF36A-50S-0.4V(51)

CODE NO. CL662-4043-0-51

2/2