



Chipsmall Limited consists of a professional team with an average of over 10 year of expertise in the distribution of electronic components. Based in Hongkong, we have already established firm and mutual-benefit business relationships with customers from,Europe,America and south Asia,supplying obsolete and hard-to-find components to meet their specific needs.

With the principle of “Quality Parts,Customers Priority,Honest Operation,and Considerate Service”,our business mainly focus on the distribution of electronic components. Line cards we deal with include Microchip,ALPS,ROHM,Xilinx,Pulse,ON,Everlight and Freescale. Main products comprise IC,Modules,Potentiometer,IC Socket,Relay,Connector.Our parts cover such applications as commercial,industrial, and automotives areas.

We are looking forward to setting up business relationship with you and hope to provide you with the best service and solution. Let us make a better world for our industry!



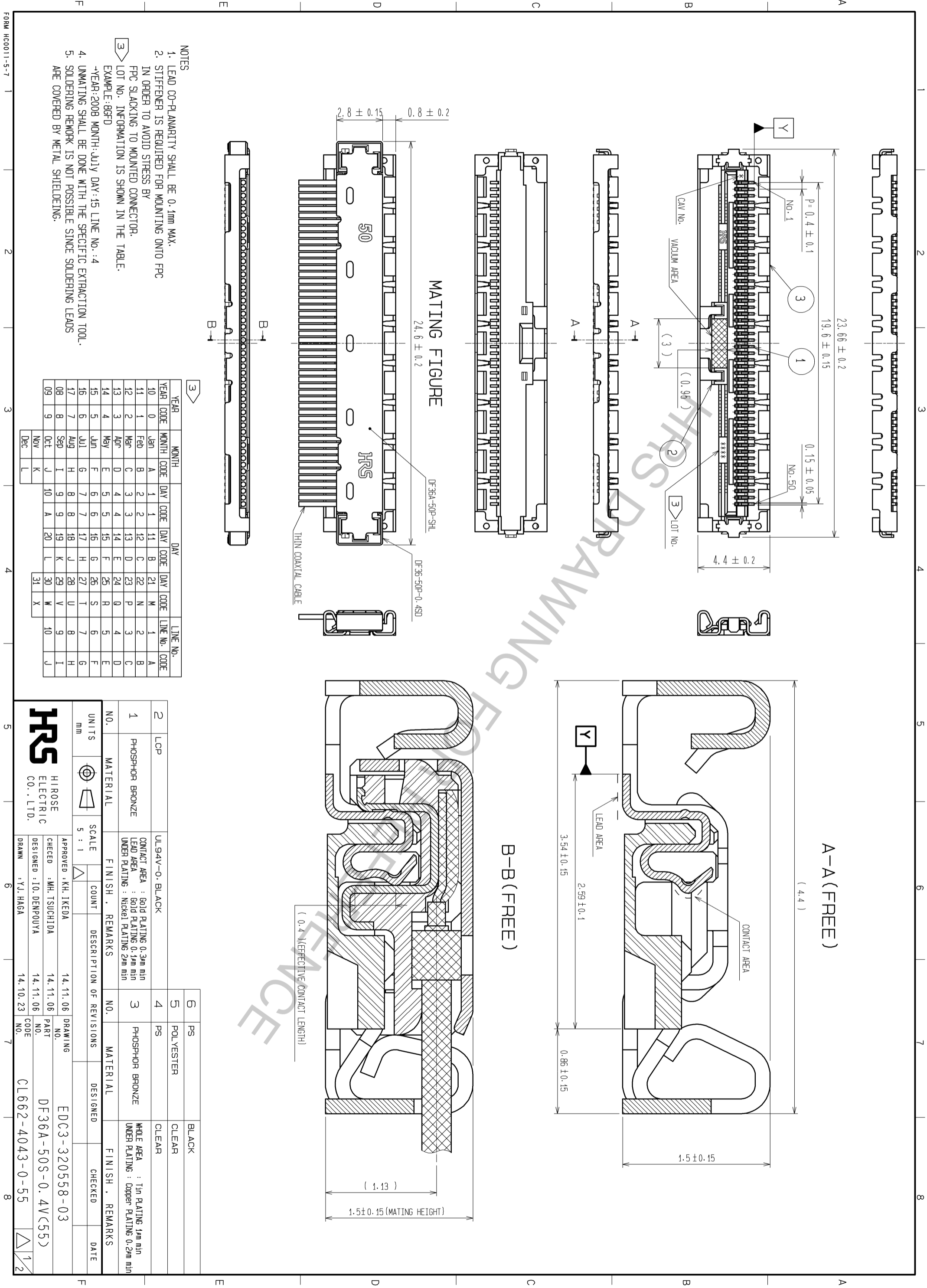
Contact us

Tel: +86-755-8981 8866 Fax: +86-755-8427 6832

Email & Skype: info@chipsmall.com Web: www.chipsmall.com

Address: A1208, Overseas Decoration Building, #122 Zhenhua RD., Futian, Shenzhen, China





NOTES

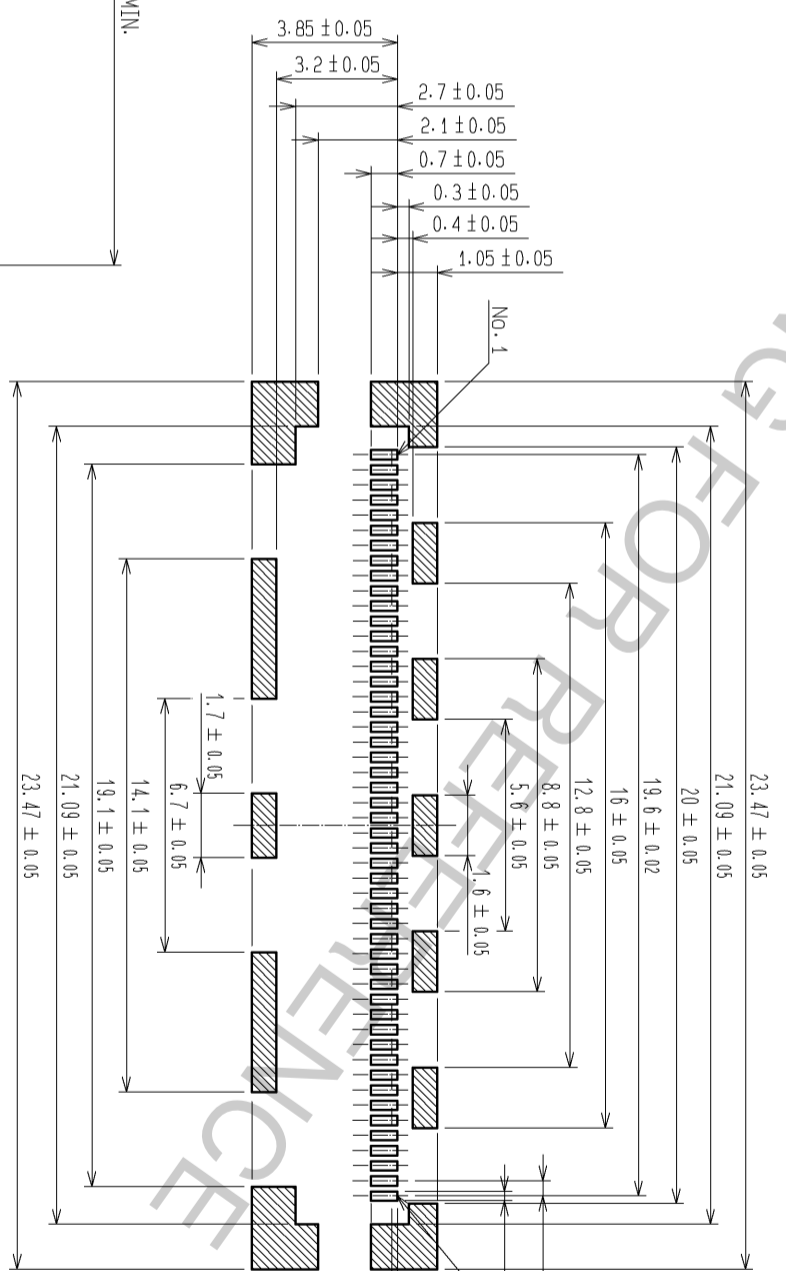
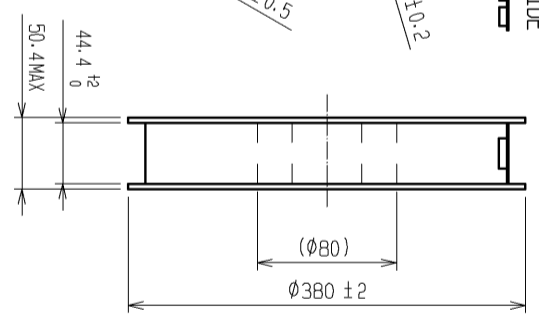
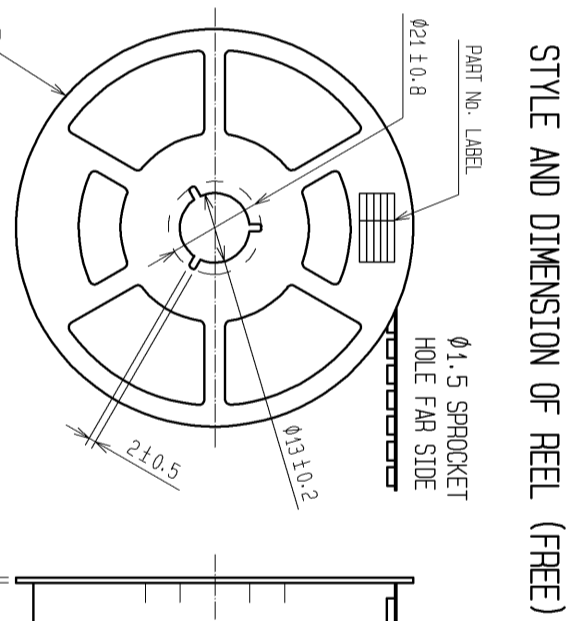
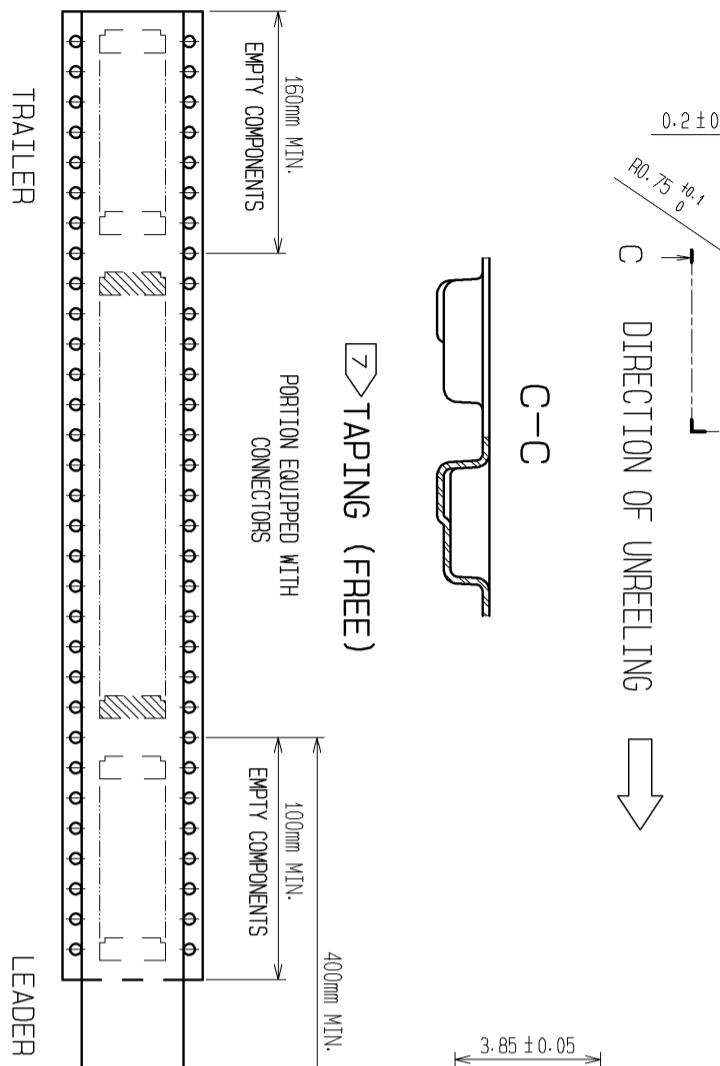
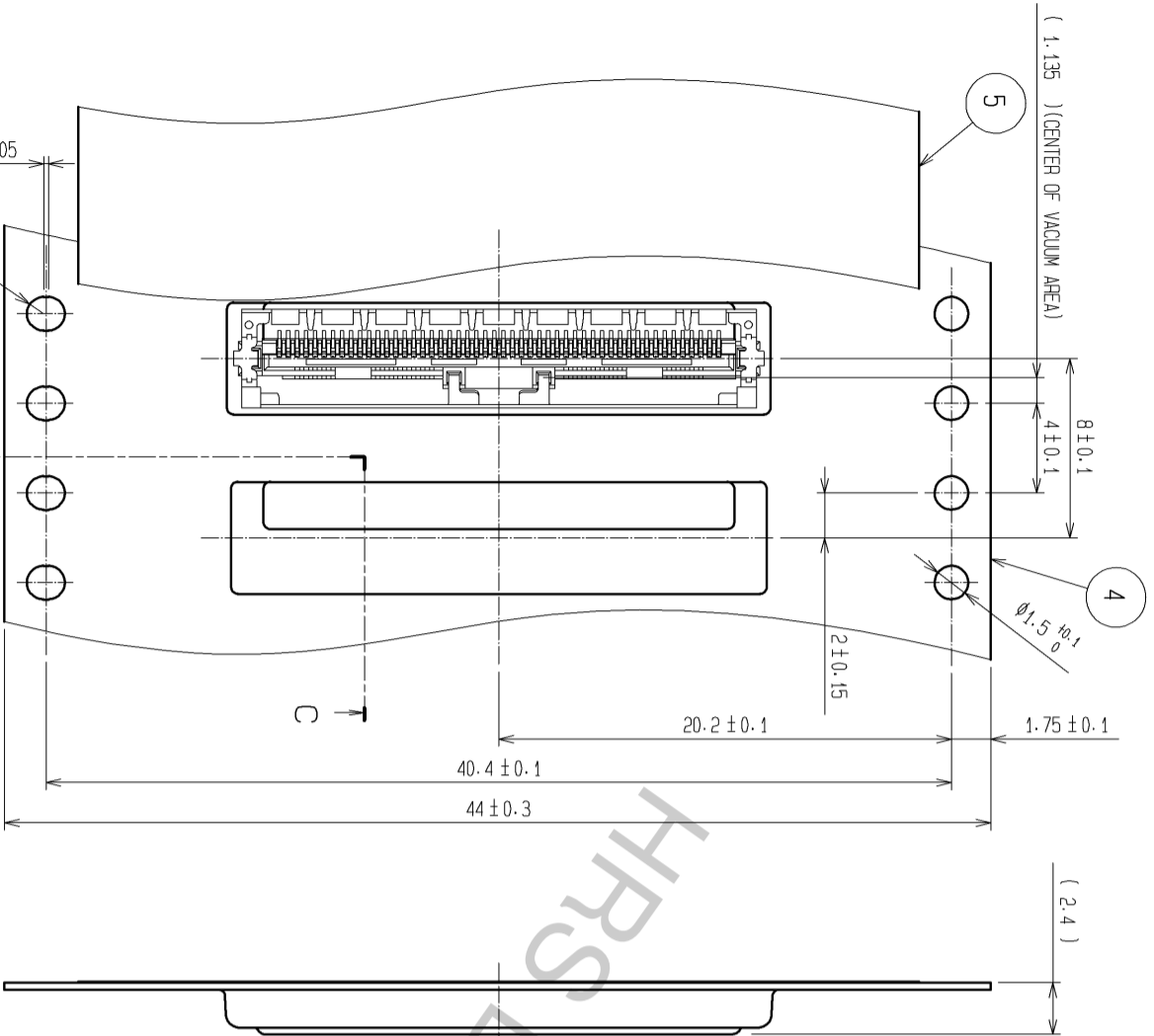
1. LEAD COPLANARITY SHALL BE 0.1mm MAX.
2. STIFFENER IS REQUIRED FOR MOUNTING ONTO FPC IN ORDER TO AVOID STRESS BY FPC SLACKING TO MOUNTED CONNECTOR.
3. LOT NO. INFORMATION IS SHOWN IN THE TABLE.
EXAMPLE: 8GFD
4. UNMATING SHALL BE DONE WITH THE SPECIFIC EXTRACTION TOOL.
5. SOLDERING REMARK IS NOT POSSIBLE SINCE SOLDERING LEADS ARE COVERED BY METAL SHIELDING.

YEAR	MONTH	DAY	DAY	DAY	DAY	DAY	LINE No.
YEAR CODE	MONTH CODE	DAY CODE	DAY CODE	DAY CODE	DAY CODE	DAY CODE	LINE No. CODE
10 0	Jan A	1 1	11 B	21 M	1 1	1 1	A
11 1	Feb B	2 2	12 C	22 N	2 2	2 2	B
12 2	Mar C	3 3	13 D	23 P	3 3	3 3	C
13 3	Apr D	4 4	14 E	24 Q	4 4	4 4	D
14 4	May E	5 5	15 F	25 R	5 5	5 5	E
15 5	Jun F	6 6	16 G	26 S	6 6	6 6	F
16 6	Jul G	7 7	17 H	27 T	7 7	7 7	G
17 7	Aug H	8 8	18 J	28 U	8 8	8 8	H
08 8	Sep I	9 9	19 K	29 V	9 9	9 9	I
09 9	Oct J	10 A	20 L	30 W	10 10	10 10	J
	Nov K						
	Dec L						

NO.	UNITS	SCALE	COUNT	DESCRIPTION OF REVISIONS	DESIGNED	CHECKED	DATE
2	LCP	5 : 1		UL94V-0. BLACK			
1	PHOSPHOR BRONZE			CONTACT AREA : Gold PLATING 0.3µm min LEAD AREA : Gold PLATING 0.1µm min UNDER PLATING : Nickel PLATING 2µm min			
3	PHOSPHOR BRONZE			FINISH . REMARKS			
4	PS			WHOLE AREA : Tin PLATING 1µm min UNDER PLATING : Copper PLATING 0.2µm min			

HRS HIROSE ELECTRIC CO., LTD.

APPROVED : KH. IKEDA 14.11.06 DRAWING NO. EDC3-320558-03
 CHECKED : MH. TSUCHIDA 14.11.06 PART NO. DF36A-50S-0.4V(55)
 DESIGNED : IO. DENPOUYA 14.11.06
 DRAWN : YJ. HAGA 14.10.23 CODE NO. CL662-4043-0-55



RECOMMENDED METAL MASK
 THICKNESS: 0.1mm
 OPENING RATIO: LEAD AREA 90%
 GROUND AREA 100%

STYLE AND DIMENSION OF REEL (FREE)

DETAIL OF PART NO. LABEL

生産月日	年 月 日
製品コード	CL662-4043-0-55
製品名	DF36A-50S-0.4V(55)
納入数量	500PCS
納入者	ヒロセ電機(株)
SUPPLIER	
QUANTITY	
PART NO.	
CODE No.	
DATE OF MANUFACTURED	

NOTES 6. PER REEL : 500 COMPONENTS
 7. REFER TO JIS C 0806. (PACKAGING OF COMPONENTS FOR AUTOMATIC HANDLING)
 8. THE DIMENSIONS IN PARENTHESES ARE FOR REFERENCE.

FORM HC0011-5-8

2

3

4

5

6

7

8

HRS

DRAWING NO.	EDC3-320558-03
PART NO.	DF36A-50S-0.4V(55)
CODE NO.	CL662-4043-0-55