



Chipsmall Limited consists of a professional team with an average of over 10 year of expertise in the distribution of electronic components. Based in Hongkong, we have already established firm and mutual-benefit business relationships with customers from,Europe,America and south Asia,supplying obsolete and hard-to-find components to meet their specific needs.

With the principle of "Quality Parts,Customers Priority,Honest Operation,and Considerate Service",our business mainly focus on the distribution of electronic components. Line cards we deal with include Microchip,ALPS,ROHM,Xilinx,Pulse,ON,Everlight and Freescale. Main products comprise IC,Modules,Potentiometer,IC Socket,Relay,Connector.Our parts cover such applications as commercial,industrial, and automotives areas.

We are looking forward to setting up business relationship with you and hope to provide you with the best service and solution. Let us make a better world for our industry!



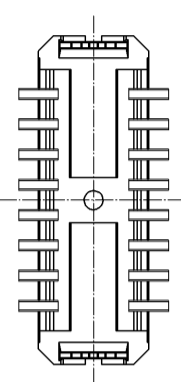
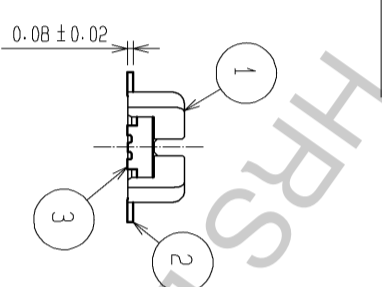
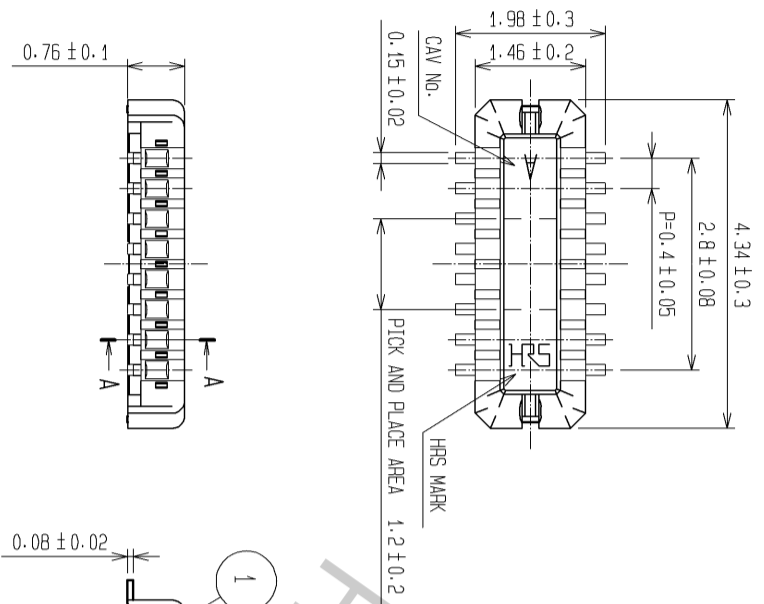
Contact us

Tel: +86-755-8981 8866 Fax: +86-755-8427 6832

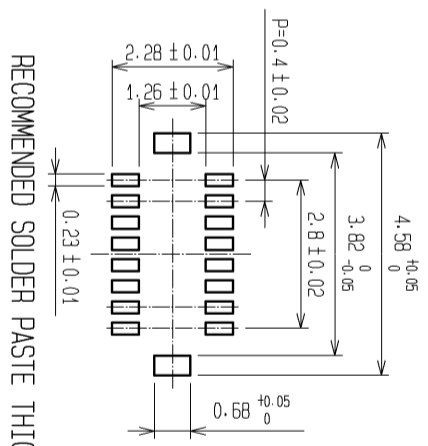
Email & Skype: info@chipsmall.com Web: www.chipsmall.com

Address: A1208, Overseas Decoration Building, #122 Zhenhua RD., Futian, Shenzhen, China

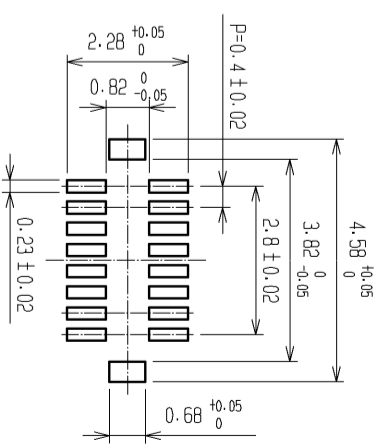




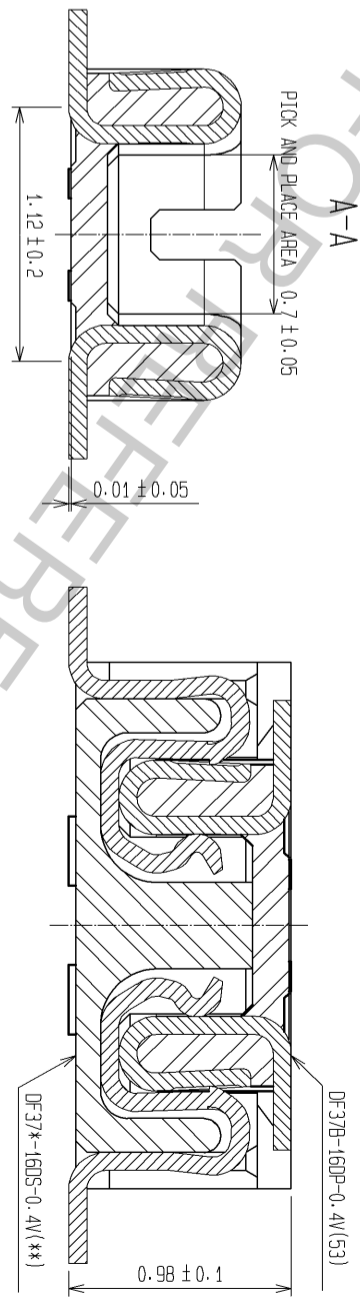
RECOMMENDED METAL MASK
OPENING PATTERN



RECOMMENDED PATTERN



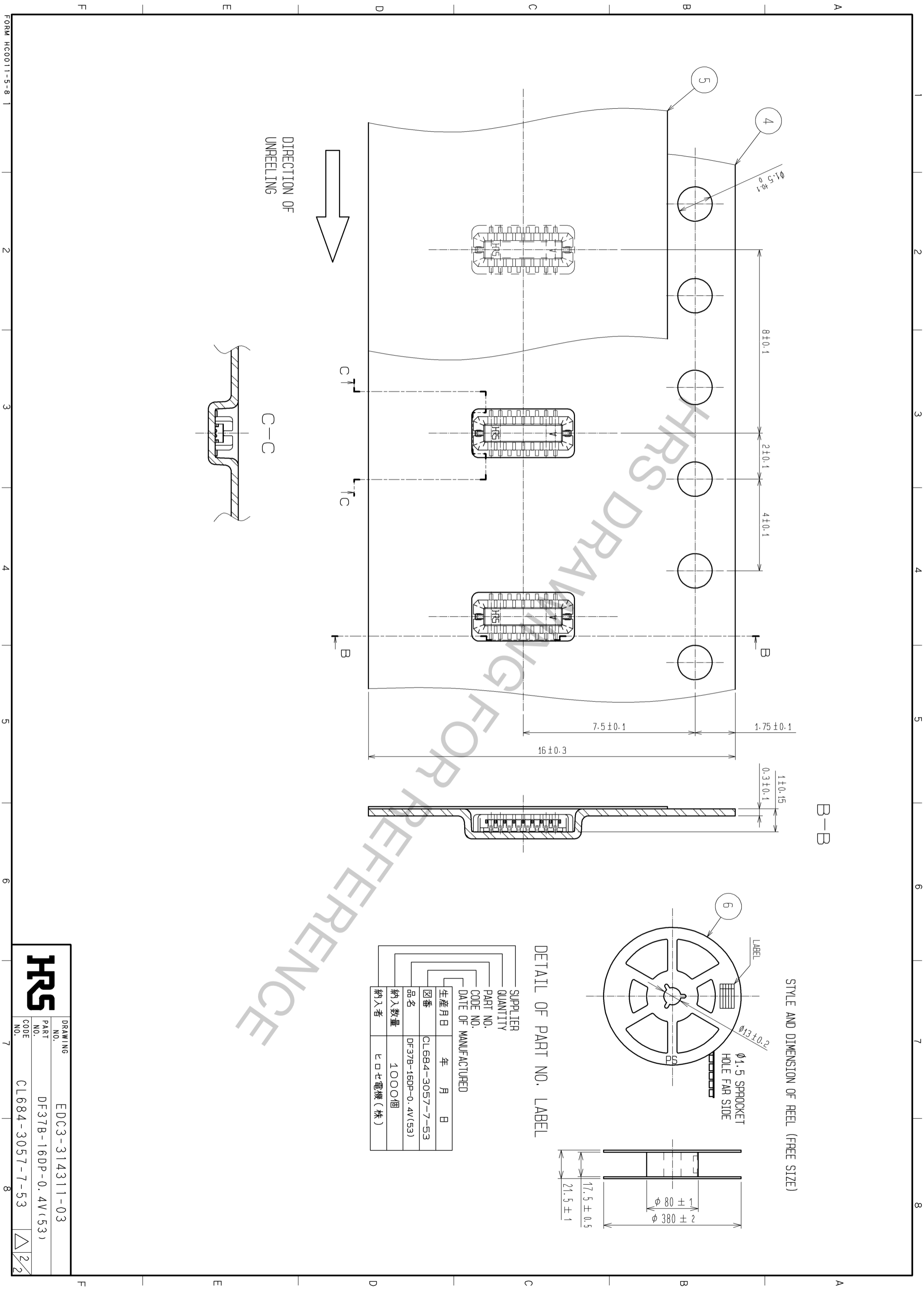
ENGAGEMENT FIGURE



- NOTE 1. ALL LEADS CO-PLANARITY SHALL BE 0.1 MAX.
 2. PER REEL : 1000 CONNECTORS.
 3. AT THE BEGINNING OF THE REEL, 100 mm AT MIN SHALL BE EMPTY POCKETS.
 AT THE END OF THE REEL, 160 mm AT MIN SHALL BE EMPTY.
 4. CONTACT PLATING SPECIFICATIONS.
 CONTACT AREA : GOLD 0.05µm MIN.
 SMT LEAD : GOLD 0.05µm MIN.
 UNDERPLATING : NICKEL 1µm MIN.
 (SURFACE : SEALING)
 5. METAL HOLD DOWN PLATING SPECIFICATIONS.
 MOUNTING AREA: GOLD 0.05µm MIN.
 UNDERPLATING : NICKEL 1µm MIN.
 6. PEEL FORCE OF COVER TAPE REFERS TO JIS C 0806.

3	PHOSPHOR BRONZE	5	PLASTIC REEL (BLACK)
2	PHOSPHOR BRONZE	4	CLEAR(COVER TAPE)
1	LCP	UL94V-0. BLACK	CLEAR(EMBOSSED CARRIER TAPE)
NO.	MATERIAL	FINISH . REMARKS	NO. MATERIAL FINISH . REMARKS
UNITS	SCALE	COUNT	DESCRIPTION OF REVISIONS
mm	FREE		DESIGNED
			CHECKED
			DATE

APPROVED : KH. IKEDA	09.01.07	DRAWING NO.	EDC3-314311-03
CHECKED : TS. MIYAZAKI	09.01.07	PART NO.	DF37B-160P-0.4V(53)
DESIGNED : RT. SHIMIZU	09.01.07	CODE NO.	CL684-3057-7-53
DRAWN : AK. AOYAGI	09.01.06		



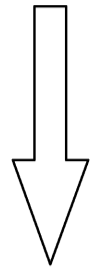
B-B

STYLE AND DIMENSION OF REEL (FREE SIZE)

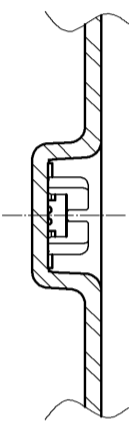
DETAIL OF PART NO. LABEL

SUPPLIER	生産月日	年	月	日
QUANTITY	図番	CL684-3057-7-53		
PART NO.	品名	DF37B-16DP-0.4V(53)		
CODE NO.	納入数量	1000個		
DATE OF MANUFACTURED	納入者	ヒロセ電機(株)		

DIRECTION OF UNREELING



C-C



FORM HC0011-5-8

HR5	DRAWING NO.	EDC3-314311-03
	PART NO.	DF37B-16DP-0.4V(53)
	CODE NO.	CL684-3057-7-53