



Chipsmall Limited consists of a professional team with an average of over 10 year of expertise in the distribution of electronic components. Based in Hongkong, we have already established firm and mutual-benefit business relationships with customers from,Europe,America and south Asia,supplying obsolete and hard-to-find components to meet their specific needs.

With the principle of “Quality Parts,Customers Priority,Honest Operation,and Considerate Service”,our business mainly focus on the distribution of electronic components. Line cards we deal with include Microchip,ALPS,ROHM,Xilinx,Pulse,ON,Everlight and Freescale. Main products comprise IC,Modules,Potentiometer,IC Socket,Relay,Connector.Our parts cover such applications as commercial,industrial, and automotives areas.

We are looking forward to setting up business relationship with you and hope to provide you with the best service and solution. Let us make a better world for our industry!



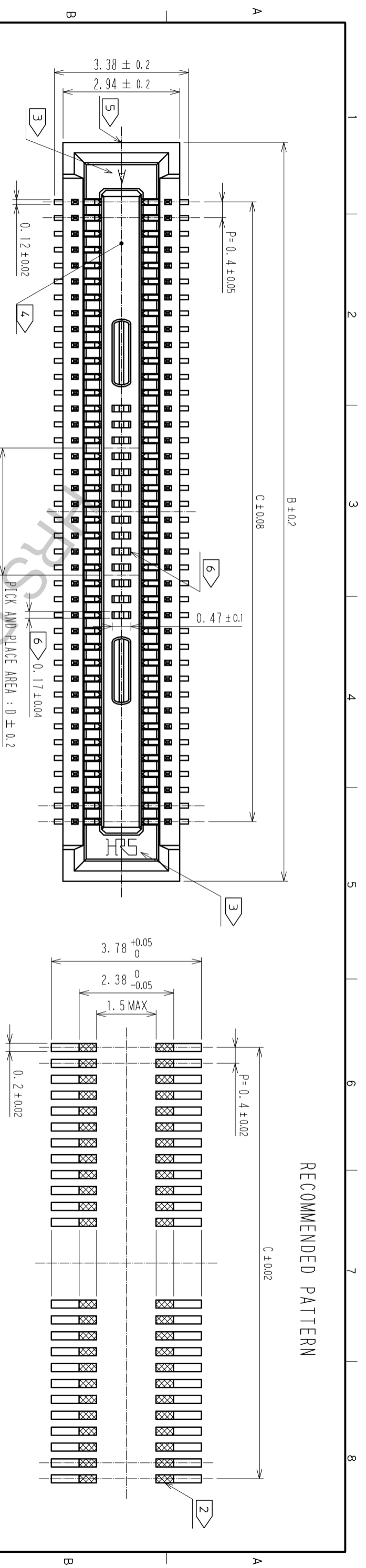
Contact us

Tel: +86-755-8981 8866 Fax: +86-755-8427 6832

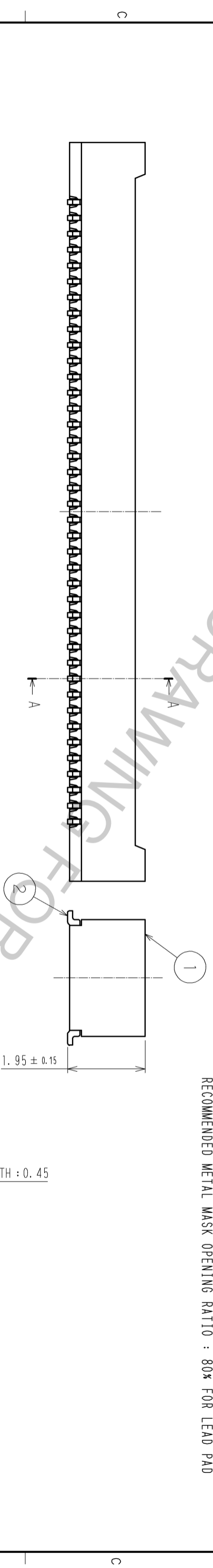
Email & Skype: info@chipsmall.com Web: www.chipsmall.com

Address: A1208, Overseas Decoration Building, #122 Zhenhua RD., Futian, Shenzhen, China

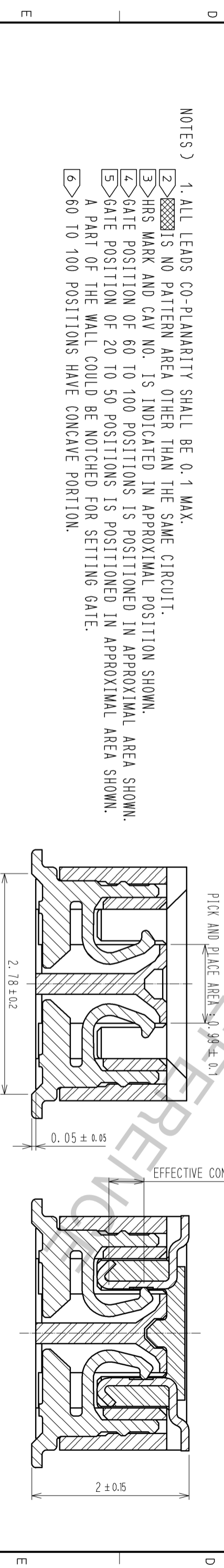




RECOMMENDED METAL MASK THICKNESS : 120 μm
 RECOMMENDED METAL MASK OPENING RATIO : 80% FOR LEAD PAD



A-A(20:1)
 ENGAGEMENT FIGURE(20:1)



- NOTES)
1. ALL LEADS CO-PLANARITY SHALL BE 0.1 MAX.
 2. IS NO PATTERN AREA OTHER THAN THE SAME CIRCUIT.
 3. HRS MARK AND CAV NO. IS INDICATED IN APPROXIMAL POSITION SHOWN.
 4. GATE POSITION OF 60 TO 100 POSITIONS IS POSITIONED IN APPROXIMAL AREA SHOWN.
 5. GATE POSITION OF 20 TO 50 POSITIONS IS POSITIONED IN APPROXIMAL AREA SHOWN.
 6. A PART OF THE WALL COULD BE NOTCHED FOR SETTING GATE.
 6. 60 TO 100 POSITIONS HAVE CONCAVE PORTION.

PART NO.	CL CODE	B	C	D
DF40CC(2.0)-20DS-0.4V(51)	CL684-4040-0-51	6.6	3.6	1.0
DF40CC(2.0)-24DS-0.4V(51)	CL684-4041-2-51	7.4	4.4	1.0
DF40CC(2.0)-30DS-0.4V(51)	CL684-4058-5-51	8.6	5.6	1.5
DF40CC(2.0)-40DS-0.4V(51)	CL684-4042-5-51	10.6	7.6	3.2
DF40CC(2.0)-50DS-0.4V(51)	CL684-4091-0-51	12.6	9.6	3.2
DF40CC(2.0)-60DS-0.4V(51)	CL684-4034-7-51	14.6	11.6	3.2
DF40CC(2.0)-70DS-0.4V(51)	CL684-4147-3-51	16.6	13.6	3.2
DF40CC(2.0)-80DS-0.4V(51)	CL684-4132-6-51	18.6	15.6	3.2
DF40CC(2.0)-100DS-0.4V(51)	—	22.6	19.6	3.2

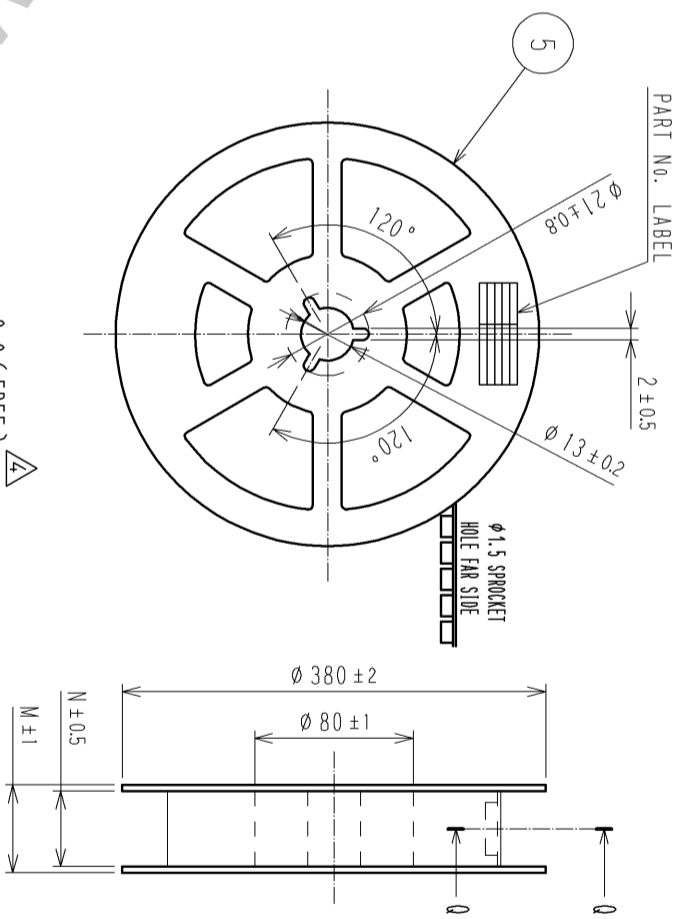
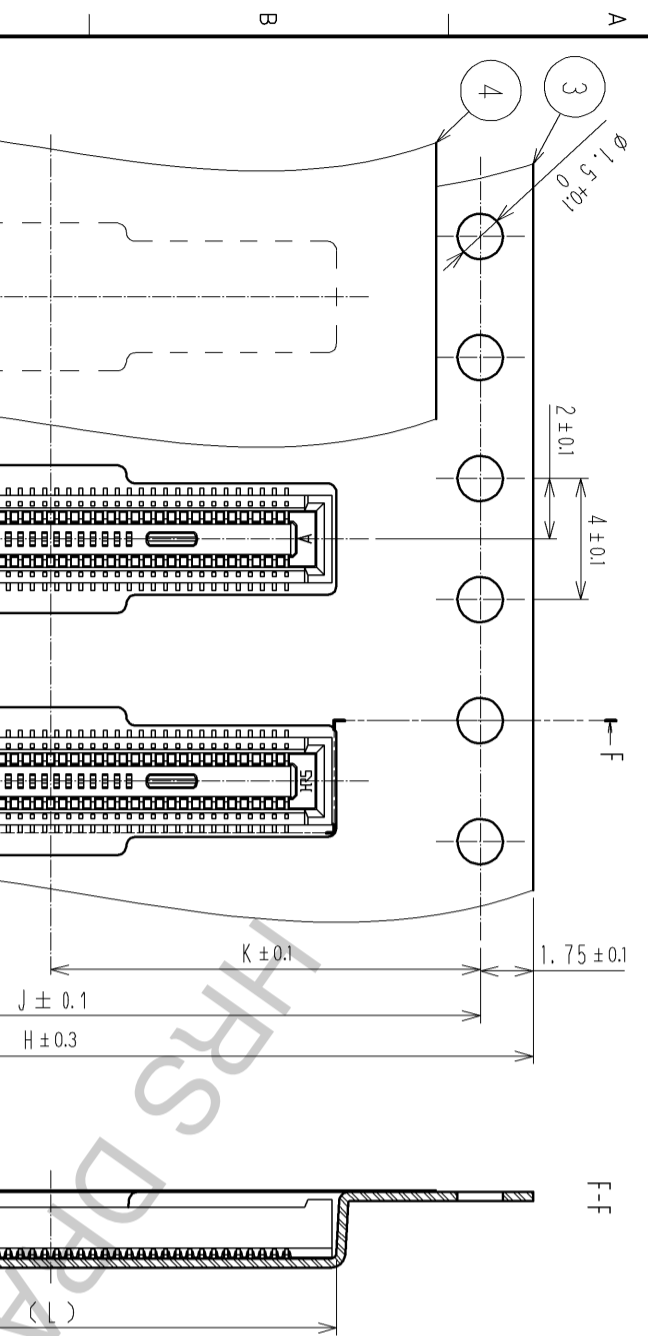
	CONTACT AREA: GOLD 0.05 μm MIN SMT LEAD: GOLD 0.05 μm MIN UNDERPLATING: NICKEL 1 μm MIN		6	PS	CLEAR, REINFORCEMENT COLLAR
	BLACK, U94V-0		5	PS	BLACK, PLASTIC REEL
1	LCP	FINISH . REMARKS	4	POLYESTER	CLEAR, COVER TAPE
2	PHOSPHOR BRONZE	FINISH . REMARKS	3	PS	CLEAR, EMOSSED CARRIER TAPE

UNITS	SCALE	COUNT	DESCRIPTION OF REVISIONS	NO.	MATERIAL	FINISH . REMARKS
mm	10 : 1	2	DIS-H-006409			

APPROVED : KH. IKEDA CHECKED : TS. MIYAZAKI DESIGNED : TK. SUZUKI DRAWN : TK. SUZUKI	08.04.18 08.04.18 08.04.17 08.04.17	EDC3-315166-02 DF40CC(2.0)-*DS-0.4V(51) CL684
---	--	---

EMBOSSED CARRIER TAPE PACKAGING(5:1)

STYLE AND DIMENSION OF REEL(FREE SIZE)



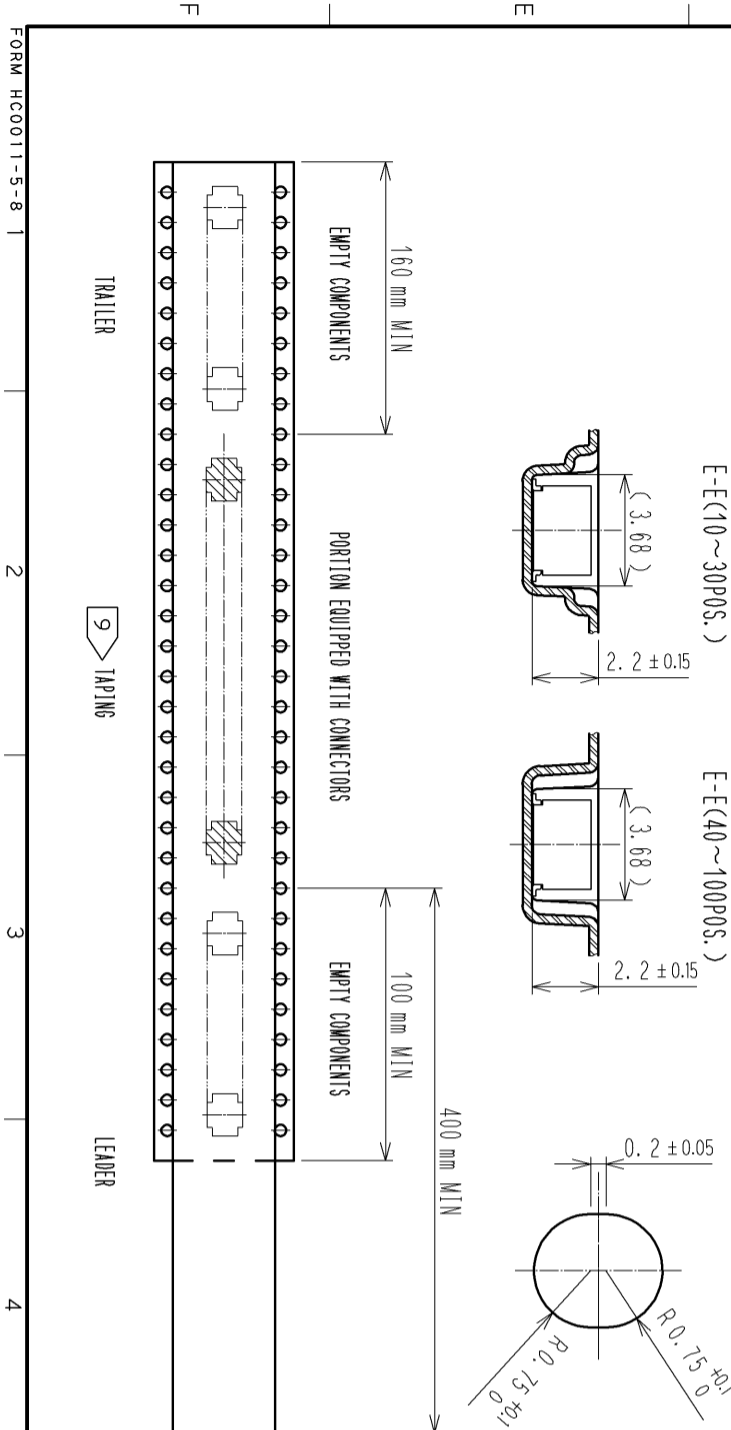
10) DETAIL OF PART NO. LABEL

製造年月日	** ** *
製品コード	CL684-*****-51
製品名	DF40C(2.0)-*DS-0.4V(51)
数量	4000
納入者	ヒロセ電機(株)

PART NO.	H	J	K	L	M	N
DF40C(2.0)-20DS-0.4V(51)	16	—	7.5	6.9	21.5	17.5
DF40C(2.0)-24DS-0.4V(51)	16	—	7.5	7.7	21.5	17.5
DF40C(2.0)-30DS-0.4V(51)	24	—	11.5	8.9	29.5	25.5
DF40C(2.0)-40DS-0.4V(51)	24	—	11.5	10.9	29.5	25.5
DF40C(2.0)-50DS-0.4V(51)	24	—	11.5	12.9	29.5	25.5
DF40C(2.0)-60DS-0.4V(51)	24	—	11.5	14.9	29.5	25.5
DF40C(2.0)-70DS-0.4V(51)	32	28.4	14.2	16.9	37.5	33.5
DF40C(2.0)-80DS-0.4V(51)	32	28.4	14.2	18.9	37.5	33.5
DF40C(2.0)-100DS-0.4V(51)	44	40.4	20.2	22.9	49.5	45.5

NOTES

- PER REEL 4000 CONNECTORS.
- THE DIMENSIONS IN PARENTHESES ARE FOR REFERENCE.
- REFER TO JIS C 0806(PACKING OF COMPONENTS FOR AUTOMATIC HANDLING) DETAIL OF PART NO. LABEL IS WRITTEN IN JAPANESE.
- PART NO. LABEL DESCRIBES THE FOLLOWING INFORMATION FROM TOP.
 PRODUCT CODE: CL684-*****-51
 PART NUMBER: DF40C(2.0)-*DS-0.4V(51)
 NUMBER OF PIECES: 4000 PIECES
 SUPPLIER NAME: HIROSE ELECTRIC CO., LTD.
 20 TO 60 POSITIONS EMBOSSED CARRIER TAPE HAS THE SPOCKET HOLE ON ONE SIDES.
 THE SPOCKET HOLE ON ONE SIDES.
 AFTER PACKAGING, ROLL 2 METERS OF THE REINFORCEMENT COLLAR TO OUTER CIRCUMFERENCE OF TAPE AND REEL POCKET, AND TAPE DOWN AT THE END THE COLLAR.



HRS

DRAWING NO. EDC3-315166-02

PART NO. DF40C(2.0)-*DS-0.4V(51)

CODE CL684

2/2