



Chipsmall Limited consists of a professional team with an average of over 10 year of expertise in the distribution of electronic components. Based in Hongkong, we have already established firm and mutual-benefit business relationships with customers from,Europe,America and south Asia,supplying obsolete and hard-to-find components to meet their specific needs.

With the principle of “Quality Parts,Customers Priority,Honest Operation,and Considerate Service”,our business mainly focus on the distribution of electronic components. Line cards we deal with include Microchip,ALPS,ROHM,Xilinx,Pulse,ON,Everlight and Freescale. Main products comprise IC,Modules,Potentiometer,IC Socket,Relay,Connector.Our parts cover such applications as commercial,industrial, and automotives areas.

We are looking forward to setting up business relationship with you and hope to provide you with the best service and solution. Let us make a better world for our industry!



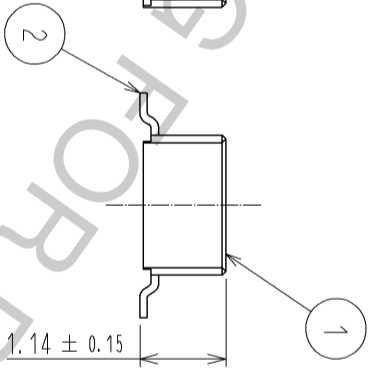
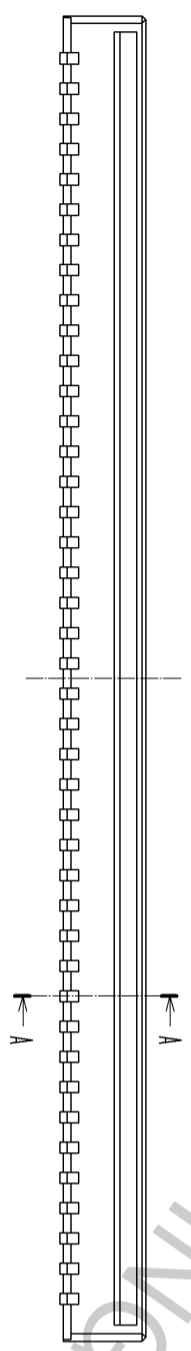
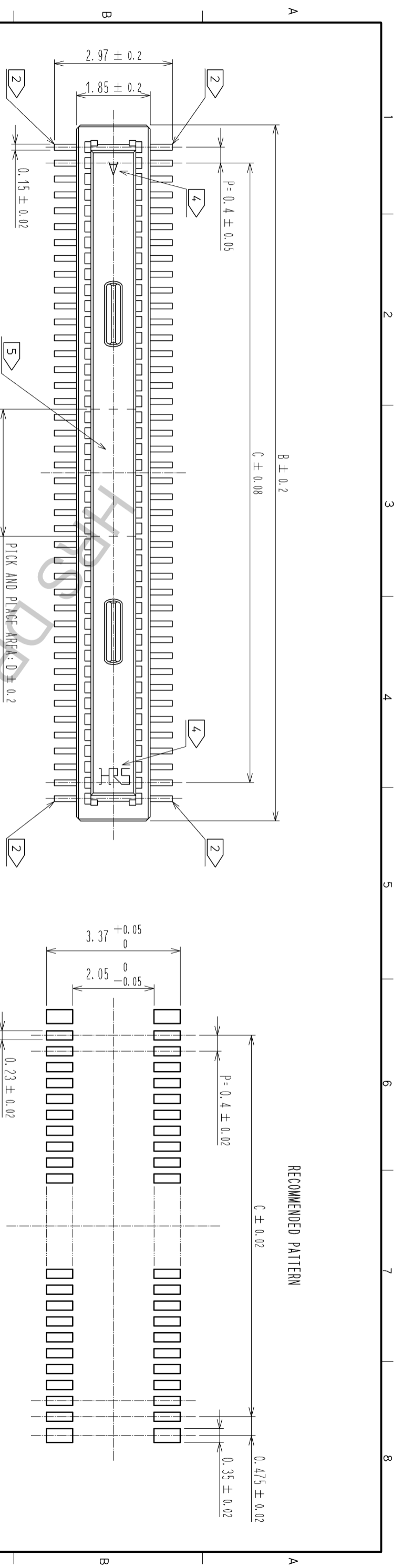
## Contact us

Tel: +86-755-8981 8866 Fax: +86-755-8427 6832

Email & Skype: info@chipsmall.com Web: www.chipsmall.com

Address: A1208, Overseas Decoration Building, #122 Zhenhua RD., Futian, Shenzhen, China





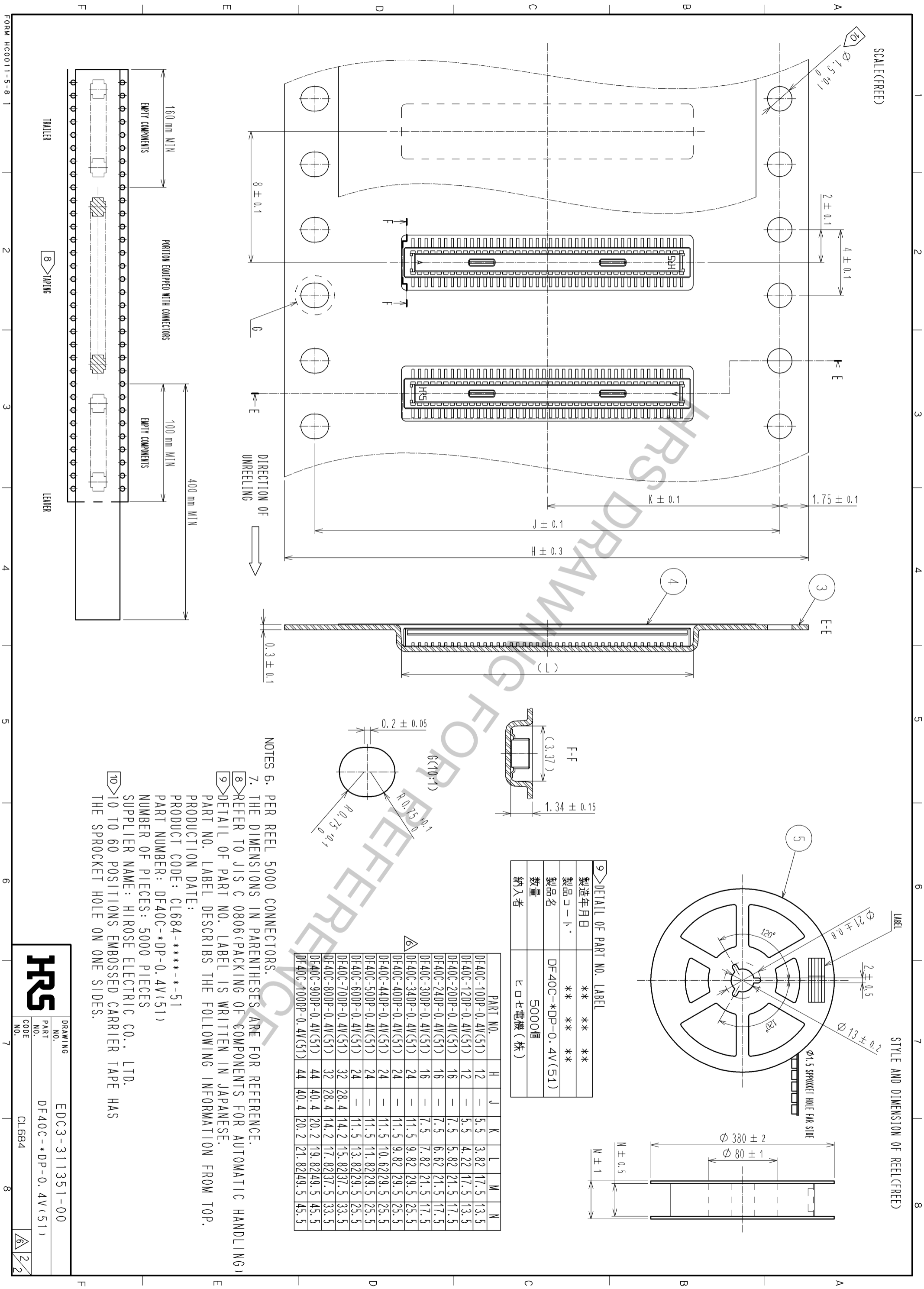
NOTES) 1. ALL LEADS CO-PLANARITY SHALL BE 0.1MAX.  
 2) EACH ONE CONTACT AT 4 CORNERS SHALL BE USED AS METAL HOLD DOWN.  
 3) 10 TO 50 POSITIONS HAVE LOCKING SYSTEM BY CONCAVE DESIGN ON CONTACTS.  
 60 TO 100 POSITIONS HAVE NO CONCAVE DESIGN ON CONTACTS.  
 4) HRS MARK AND CAV NO. IS INDICATED IN APPROXIMAL POSITION SHOWN.  
 THE INDICATION COULD BE ON THE UPPER SURFACE OF DESIGN ON THE CONNECTOR.  
 5) 100 POSITIONS HAVE CONCAVE PORTION.

PART NO.	CODE NO.	B	C	D
DF40C-10DP-0.4V(51)	CL684-4035-0-51	3.52	1.6	1.0
DF40C-12DP-0.4V(51)	CL684-4149-9-51	3.92	2.0	1.0
DF40C-20DP-0.4V(51)	CL684-4010-9-51	5.52	3.6	1.0
DF40C-24DP-0.4V(51)	CL684-4011-1-51	6.32	4.4	1.2
DF40C-30DP-0.4V(51)	CL684-4012-4-51	7.52	5.6	1.5
DF40C-34DP-0.4V(51)	CL684-4024-3-51	8.32	6.4	2.3
DF40C-40DP-0.4V(51)	CL684-4013-7-51	9.52	7.6	3.2
DF40C-44DP-0.4V(51)	CL684-4077-0-51	10.32	8.4	3.2
DF40C-50DP-0.4V(51)	CL684-4014-0-51	11.52	9.6	3.2
DF40C-60DP-0.4V(51)	CL684-4003-3-51	13.52	11.6	3.2
DF40C-70DP-0.4V(51)	CL684-4015-2-51	15.52	13.6	3.2
DF40C-80DP-0.4V(51)	CL684-4001-8-51	17.52	15.6	3.2
DF40C-90DP-0.4V(51)	CL684-4125-0-51	19.52	17.6	3.2
DF40C-100DP-0.4V(51)	CL684-4032-1-51	21.52	19.6	3.2

NO.	UNITS	MATERIAL	SCALE	COUNT	DESCRIPTION OF REVISIONS	NO.	MATERIAL	FINISH	REMARKS
2	PHOSPHOR BRONZE	CONTACT AREA: GOLD 0.05 μm MIN SMT LEAD: GOLD 0.05 μm MIN	10: 1	2	DIS-H-006039	5	PS	BLACK	
1	LCP	UNDERPLATING: NICKEL 1 μm MIN BLACK, UL94V-0				4	POLESTER	CLEAR COVER TAPE	
						3	PS	CLEAR, EMBOSSED CARRIER TAPE	

NO.	FINISH	REMARKS	NO.	MATERIAL	FINISH	REMARKS
5	PS	BLACK				
4	POLESTER	CLEAR COVER TAPE				
3	PS	CLEAR, EMBOSSED CARRIER TAPE				

APPROVED: MO. NAKAMURA	05.12.09	DRAWING NO.	EDC3-311351-00
CHECKED: KH. IKEDA	05.12.09	PART NO.	DF40C-*DP-0.4V(51)
DESIGNED: MY. GOTO	05.12.09	CODE NO.	CL684
DRAWN: MY. GOTO	05.12.09	NO.	1



SCALE(FREE)

STYLE AND DIMENSION OF REEL(FREE)

9>DETAIL OF PART NO. LABEL

製造年月日	** ** *
製品コード	** ** *
製品名	DF40C-*DP-0.4V(51)
数量	5000個
納入者	ヒロセ電機(株)

PART NO.	H	J	K	L	M	N
DF40C-100P-0.4V(51)	12	5.5	3.82	17.5	13.5	
DF40C-120P-0.4V(51)	12	5.5	4.22	17.5	13.5	
DF40C-200P-0.4V(51)	16	7.5	5.82	21.5	17.5	
DF40C-240P-0.4V(51)	16	7.5	6.62	21.5	17.5	
DF40C-300P-0.4V(51)	16	7.5	7.82	21.5	17.5	
DF40C-340P-0.4V(51)	24	11.5	9.82	29.5	25.5	
DF40C-400P-0.4V(51)	24	11.5	9.82	29.5	25.5	
DF40C-440P-0.4V(51)	24	11.5	10.62	29.5	25.5	
DF40C-500P-0.4V(51)	24	11.5	11.82	29.5	25.5	
DF40C-600P-0.4V(51)	24	11.5	13.82	29.5	25.5	
DF40C-700P-0.4V(51)	32	28.4	14.2	15.82	33.5	
DF40C-800P-0.4V(51)	32	28.4	14.2	17.82	33.5	
DF40C-900P-0.4V(51)	44	40.4	20.2	19.82	45.5	
DF40C-1000P-0.4V(51)	44	40.4	20.2	21.82	45.5	

NOTES 6. PER REEL 5000 CONNECTORS.

7. THE DIMENSIONS IN PARENTHESES ARE FOR REFERENCE.

8> REFER TO JIS C 0806(PACKING OF COMPONENTS FOR AUTOMATIC HANDLING)

9> DETAIL OF PART NO. LABEL IS WRITTEN IN JAPANESE.

PART NO. LABEL DESCRIBES THE FOLLOWING INFORMATION FROM TOP.

PRODUCTION DATE:

PRODUCT CODE: CL684-\*\*\*\*-51

PART NUMBER: DF40C-\*DP-0.4V(51)

NUMBER OF PIECES: 5000 PIECES

SUPPLIER NAME: HIROSE ELECTRIC CO., LTD.

10> THE SPROCKET HOLE ON ONE SIDES.

**HRS**

DRAWING NO.	EDC3-311351-00
PART NO.	DF40C-*DP-0.4V(51)
CODE	CL684