



Chipsmall Limited consists of a professional team with an average of over 10 year of expertise in the distribution of electronic components. Based in Hongkong, we have already established firm and mutual-benefit business relationships with customers from,Europe,America and south Asia,supplying obsolete and hard-to-find components to meet their specific needs.

With the principle of “Quality Parts,Customers Priority,Honest Operation,and Considerate Service”,our business mainly focus on the distribution of electronic components. Line cards we deal with include Microchip,ALPS,ROHM,Xilinx,Pulse,ON,Everlight and Freescale. Main products comprise IC,Modules,Potentiometer,IC Socket,Relay,Connector.Our parts cover such applications as commercial,industrial, and automotives areas.

We are looking forward to setting up business relationship with you and hope to provide you with the best service and solution. Let us make a better world for our industry!



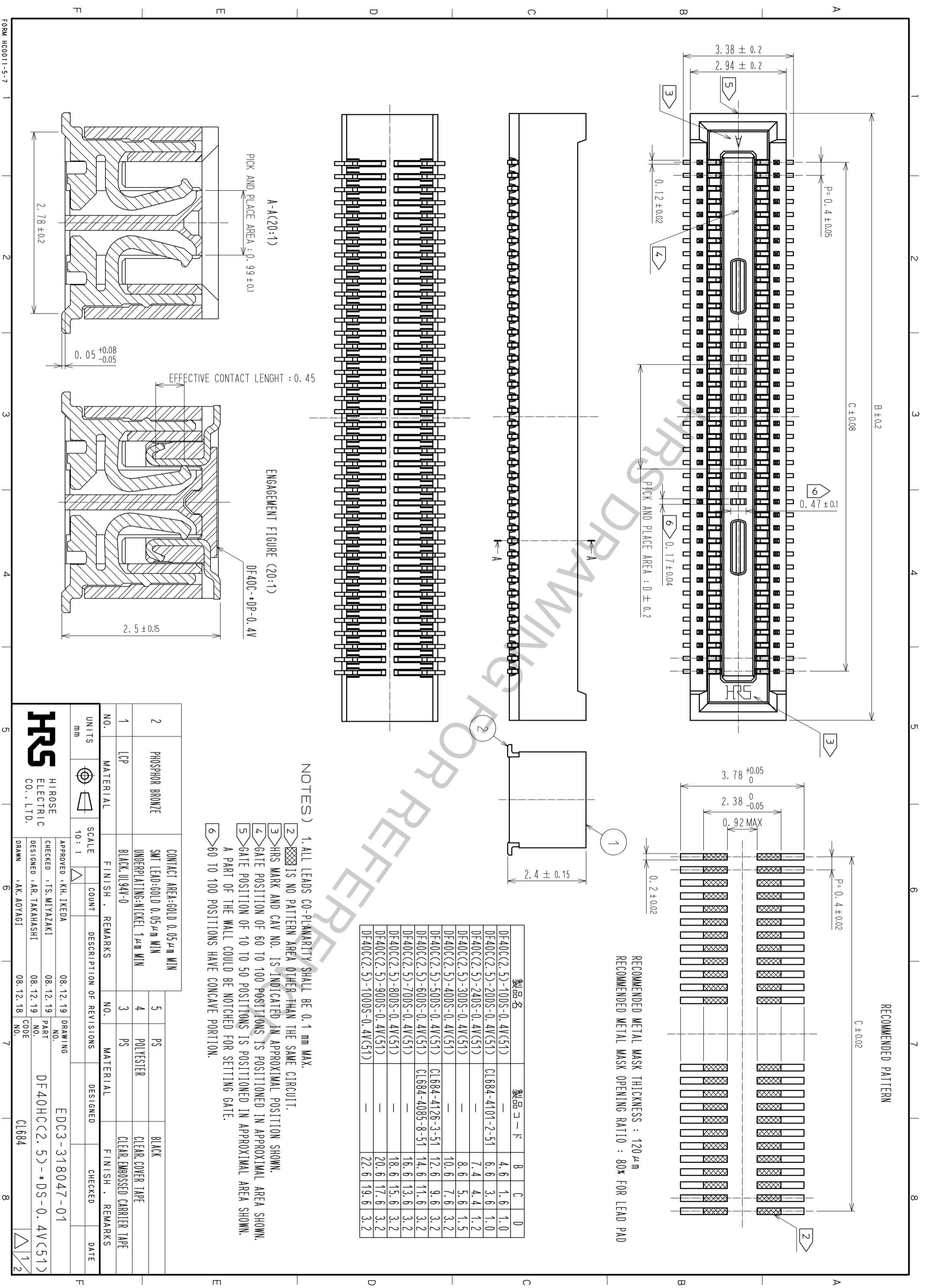
Contact us

Tel: +86-755-8981 8866 Fax: +86-755-8427 6832

Email & Skype: info@chipsmall.com Web: www.chipsmall.com

Address: A1208, Overseas Decoration Building, #122 Zhenhua RD., Futian, Shenzhen, China





製品名	製品コード	B	C	D
DF40C(2.5)-100S-0.4V(51)	—	4.6	1.6	1.0
DF40C(2.5)-200S-0.4V(51)	CL884-4101-2-51	6.6	3.6	1.0
DF40C(2.5)-240S-0.4V(51)	—	7.4	4.4	1.2
DF40C(2.5)-300S-0.4V(51)	—	8.6	5.6	1.5
DF40C(2.5)-400S-0.4V(51)	—	10.6	7.6	3.2
DF40C(2.5)-500S-0.4V(51)	CL884-4126-3-51	12.6	9.6	3.2
DF40C(2.5)-600S-0.4V(51)	CL884-4085-8-51	14.6	11.6	3.2
DF40C(2.5)-700S-0.4V(51)	—	16.6	13.6	3.2
DF40C(2.5)-800S-0.4V(51)	—	18.6	15.6	3.2
DF40C(2.5)-900S-0.4V(51)	—	20.6	17.6	3.2
DF40C(2.5)-1000S-0.4V(51)	—	22.6	19.6	3.2

- NOTES) 1. ALL LEADS CO-PLANARITY SHALL BE 0.1 mm MAX.
 2. IS NO PATTERN AREA OTHER THAN THE SAME CIRCUIT.
 3. HRS MARK AND CAV NO. IS INDICATED IN APPROXIMAL POSITION SHOWN.
 4. GATE POSITION OF 60 TO 100 POSITIONS IS POSITIONED IN APPROXIMAL AREA SHOWN.
 5. GATE POSITION OF 10 TO 50 POSITIONS IS POSITIONED IN APPROXIMAL AREA SHOWN.
 A PART OF THE WALL COULD BE NOTCHED FOR SETTING GATE.
 6. 60 TO 100 POSITIONS HAVE CONCAVE PORTION.

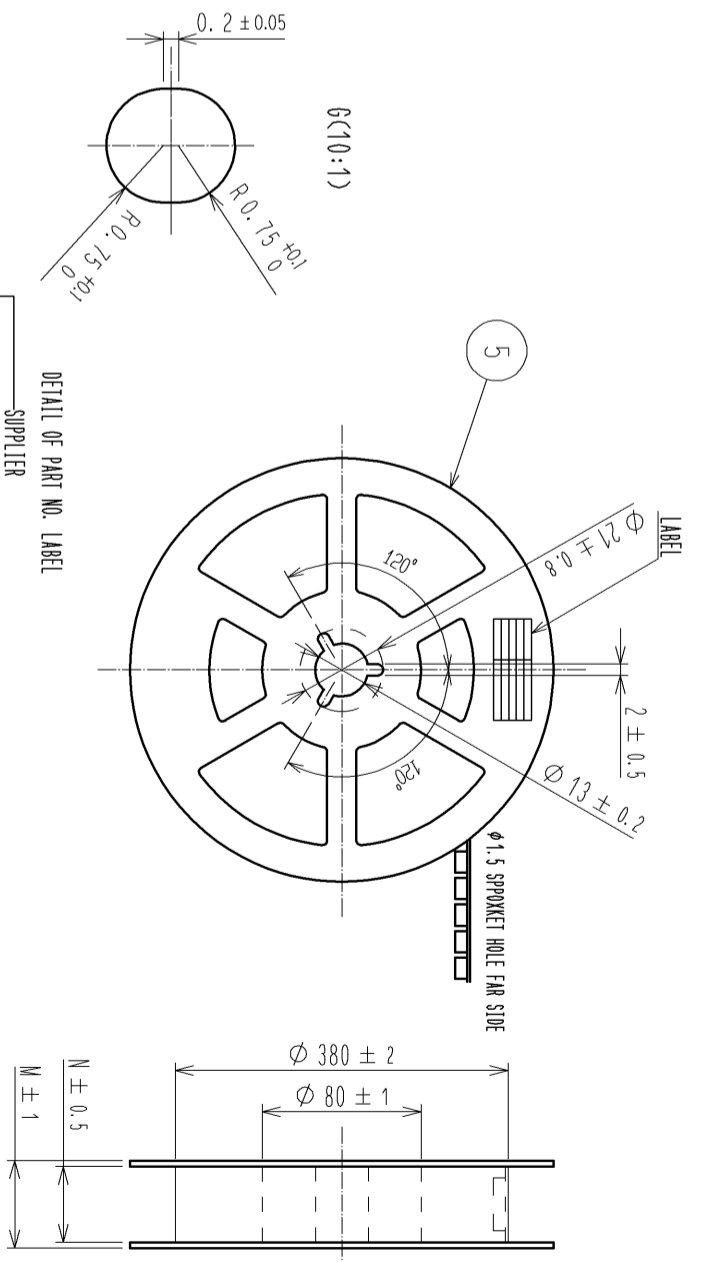
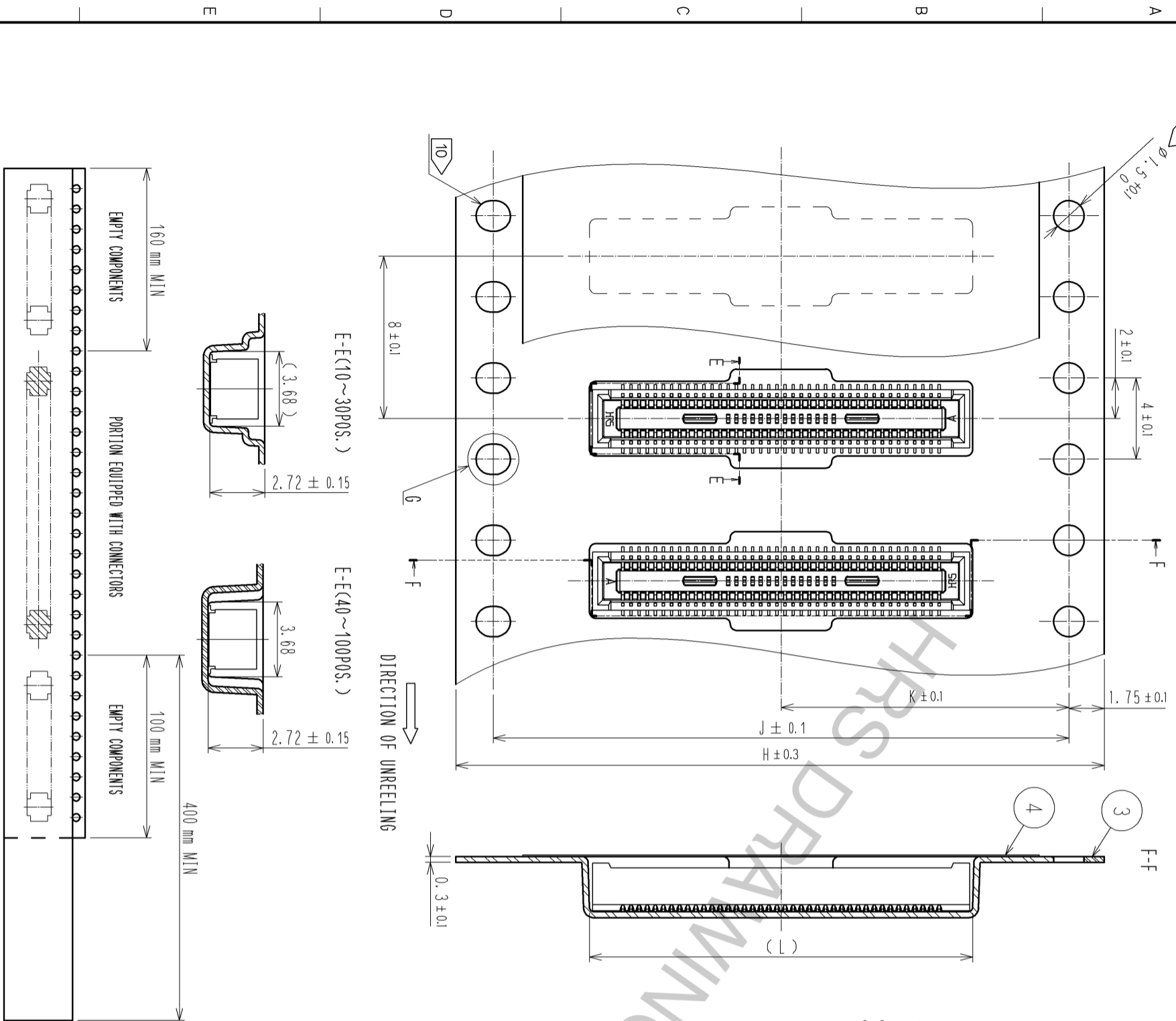
NO.	UNIT	MATERIAL	FINISH	REMARKS	NO.	MATERIAL	FINISH	REMARKS
1	LCP	BLACK, UL94V-0			3	PS	CLEAR, EMBOSSED CARRIER TAPE	
2	PHOSPHOR BRONZE	CONTACT AREA: GOLD 0.05 μm MIN SMT LEAD: GOLD 0.05 μm MIN UNDERPLATING: NICKEL 1 μm MIN			4	POLYESTER	CLEAR, COVER TAPE	

SCALE	COUNT	DESCRIPTION OF REVISIONS	DESIGNED	CHECKED	DATE
10 : 1					

APPROVED	DRAWING NO.	CHECKED	PART NO.	DESIGNED	CODE NO.	DRAWN
KH. IKEDA	EDC3-318047-01	TS. MIYAZAKI	DF40HC(2.5)-*DS-0.4V(51)	AR. TAKAHASHI	CL884	AK. AOYAGI

EMBOSSED CARRIER TAPE PACKAGING (5:1)

STYLE AND DIMENSION OF REEL (REEL SIZE)



DETAIL OF PART NO. LABEL

SUPPLIER	*****
QUANTITY	*****
PART NO.	*****
CODE NO.	*****
DATE OF MANUFACTURED	*****
製造年月日	*****
製品コード	*****
製品名	DF40HC(2.5)-*DS-0.4V(51)
数量	3000
納入者	ヒロセ電機(株)

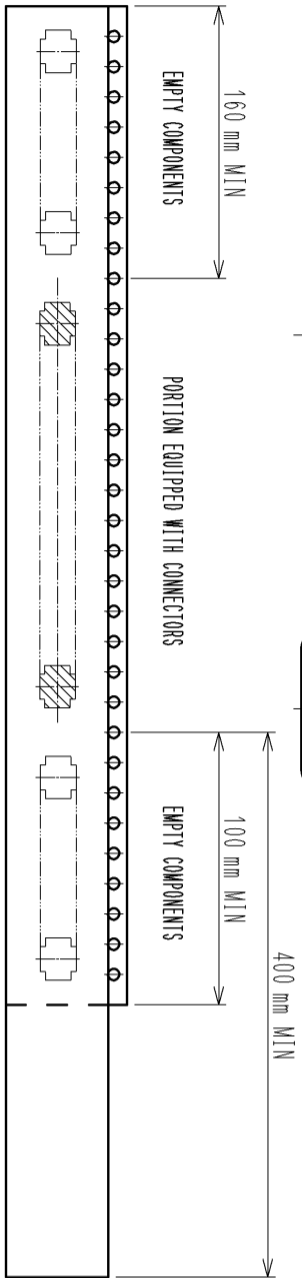
製品名	H	J	K	L	M	N
DF40C(2.5)-10DS-0.4V(51)	16	—	7.5	4.9	21.5	17.5
DF40C(2.5)-20DS-0.4V(51)	16	—	7.5	6.9	21.5	17.5
DF40C(2.5)-24DS-0.4V(51)	16	—	7.5	7.7	21.5	17.5
DF40C(2.5)-30DS-0.4V(51)	24	—	11.5	8.9	29.5	25.5
DF40C(2.5)-40DS-0.4V(51)	24	—	11.5	10.9	29.5	25.5
DF40C(2.5)-50DS-0.4V(51)	24	—	11.5	12.9	29.5	25.5
DF40C(2.5)-60DS-0.4V(51)	24	—	11.5	14.9	29.5	25.5
DF40C(2.5)-70DS-0.4V(51)	32	28.4	14.2	16.9	37.5	33.5
DF40C(2.5)-80DS-0.4V(51)	32	28.4	14.2	18.9	37.5	33.5
DF40C(2.5)-90DS-0.4V(51)	44	40.4	20.2	20.9	49.5	45.5
DF40C(2.5)-100DS-0.4V(51)	44	40.4	20.2	22.9	49.5	45.5

NOTES) 7. PER REEL 3000 CONNECTORS.

8. THE DIMENSIONS IN PARENTHESES ARE FOR REFERENCE.

9 REFER TO JIS C 0806(PACKING OF COMPONENTS FOR AUTOMATIC HANDLING)

10 10 TO 60 POSITIONS EMBOSSED CARRIER TAPE HAS THE SPROCKET HOLE ONLY ONE SIDES.



TRAILER

9 TAPING

LEADER

HRS

DRAWING NO.	EDC3-318047-01
PART NO.	DF40HC(2.5)-*DS-0.4V(51)
CODE NO.	CL684