



Chipsmall Limited consists of a professional team with an average of over 10 year of expertise in the distribution of electronic components. Based in Hongkong, we have already established firm and mutual-benefit business relationships with customers from,Europe,America and south Asia,supplying obsolete and hard-to-find components to meet their specific needs.

With the principle of “Quality Parts,Customers Priority,Honest Operation,and Considerate Service”,our business mainly focus on the distribution of electronic components. Line cards we deal with include Microchip,ALPS,ROHM,Xilinx,Pulse,ON,Everlight and Freescale. Main products comprise IC,Modules,Potentiometer,IC Socket,Relay,Connector.Our parts cover such applications as commercial,industrial, and automotives areas.

We are looking forward to setting up business relationship with you and hope to provide you with the best service and solution. Let us make a better world for our industry!



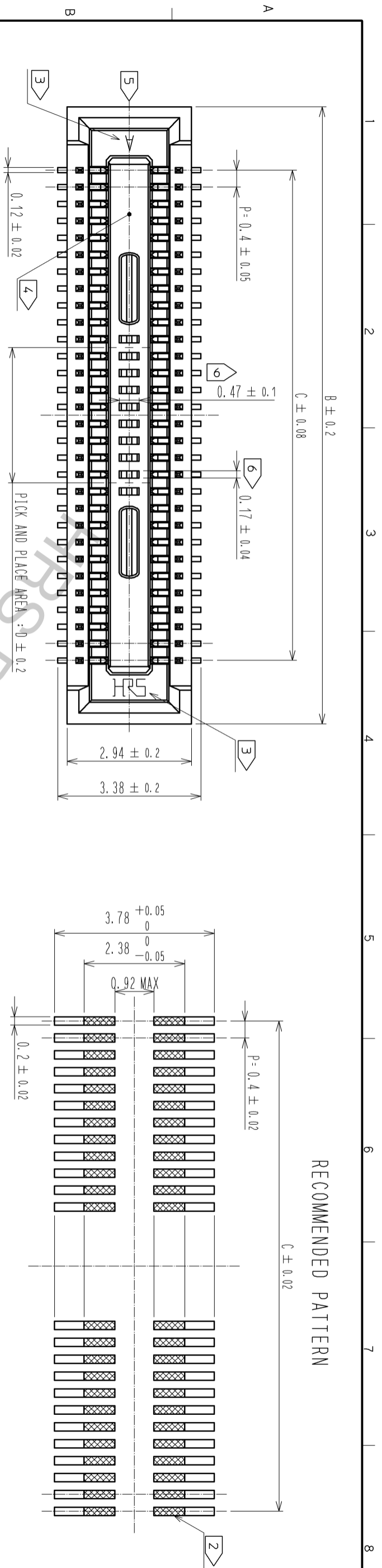
Contact us

Tel: +86-755-8981 8866 Fax: +86-755-8427 6832

Email & Skype: info@chipsmall.com Web: www.chipsmall.com

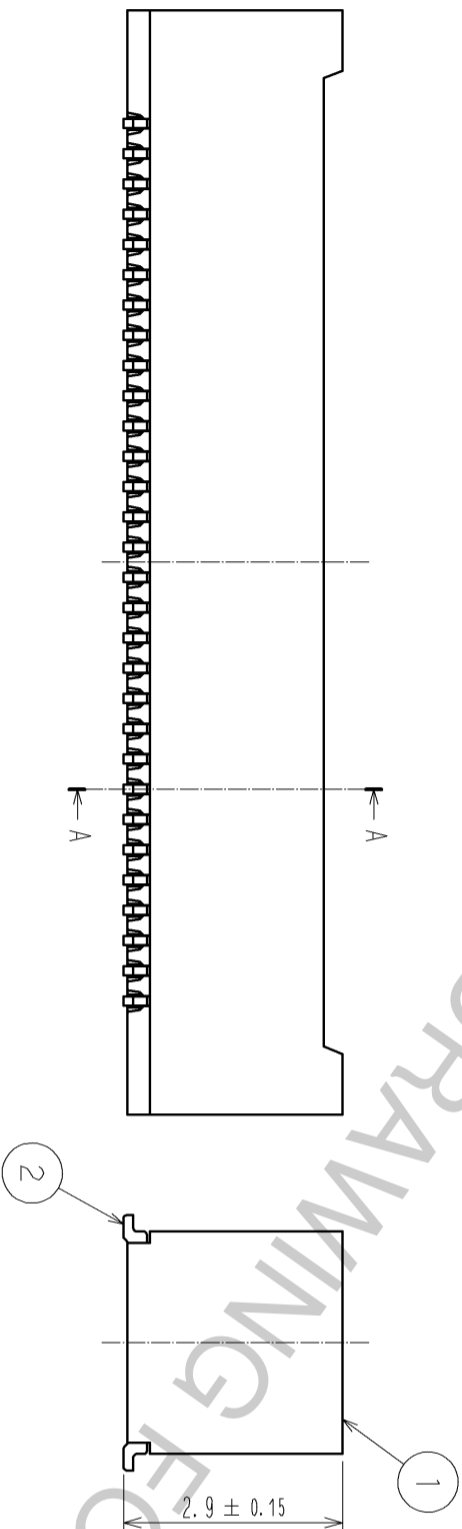
Address: A1208, Overseas Decoration Building, #122 Zhenhua RD., Futian, Shenzhen, China





RECOMMENDED PATTERN

RECOMMENDED METAL MASK THICKNESS : 120 μ m
 RECOMMENDED METAL MASK OPENING RATIO : 80% FOR LEAD PAD



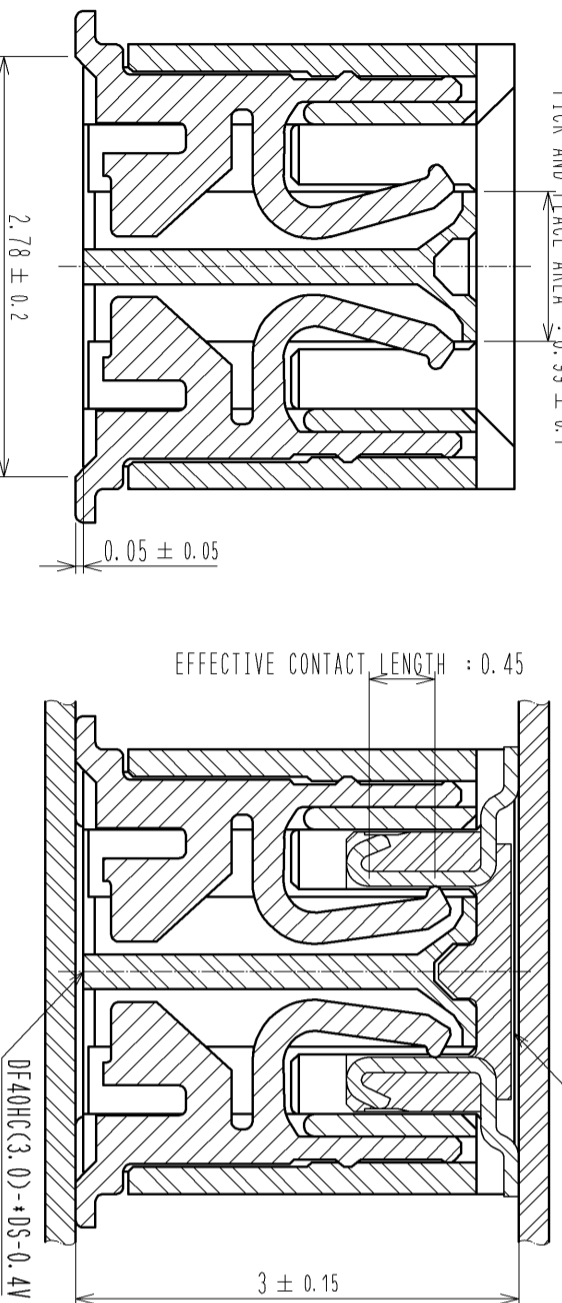
A-A(20:1)

ENGAGEMENT FIGURE (20:1)

NOTES) 1. ALL LEADS CO-PLANARITY SHALL BE 0.1 MAX.

- 2. IS NO PATTERN AREA OTHER THAN THE SAME CIRCUIT.
- 3. HRS MARK AND CAV NO. ARE INDICATED IN APPROXIMAL POSITION SHOWN.
- 4. GATE POSITION OF 60 TO 100 POSITIONS IS POSITIONED IN PROXIMAL AREA SHOWN.
- 5. GATE POSITION OF 10 TO 50 POSITIONS IS POSITIONED IN APPROXIMAL AREA SHOWN.
- 6. A PART OF THE WALL COULD BE NOTCHED FOR SETTING GATE.
- 6. 60 TO 100 POSITIONS HAVE CONCAVE PORTION.

PART NO.	CODE NO.	B	C	D
DF40HC(3.0)-20DS-0.4V(51)	—	6.6	3.6	1.0
DF40HC(3.0)-24DS-0.4V(51)	—	7.4	4.4	1.2
DF40HC(3.0)-30DS-0.4V(51)	CL684-4098-0-51	8.6	5.6	1.5
DF40HC(3.0)-40DS-0.4V(51)	—	10.6	7.6	3.2
DF40HC(3.0)-40DS-0.4V(51)	CL684-4076-7-51	11.4	8.4	3.2
DF40HC(3.0)-50DS-0.4V(51)	CL684-4099-2-51	12.6	9.6	3.2
DF40HC(3.0)-60DS-0.4V(51)	CL684-4100-0-51	14.6	11.6	3.2
DF40HC(3.0)-70DS-0.4V(51)	CL684-4138-2-51	16.6	13.6	3.2
DF40HC(3.0)-80DS-0.4V(51)	CL684-4180-9-51	18.6	15.6	3.2
DF40HC(3.0)-90DS-0.4V(51)	CL684-4161-4-51	20.6	17.6	3.2
DF40HC(3.0)-100DS-0.4V(51)	CL684-4151-0-51	22.6	19.6	3.2



A-A(20:1)

ENGAGEMENT FIGURE (20:1)

NO.	MATERIAL	FINISH	REMARKS	NO.	MATERIAL	FINISH	REMARKS
1	LCP	BLACK, UL94V-0		3	PS	CLEAR, EMBOSSED CARRIER TAPE	
2	PHOSPHOR BRONZE	CONTACT AREA: GOLD 0.05 μ m MIN SMT LEAD: GOLD 0.05 μ m MIN UNDERPLATING: NICKEL 1 μ m MIN		4	PS	CLEAR, REINFORCEMENT COLLAR	
				5	PS	BLACK, PLASTIC REEL	
				6	PS	CLEAR, COVER TAPE	

UNITS	SCALE	COUNT	DESCRIPTION OF REVISIONS	DESIGNED	CHECKED	DATE
mm	10:1	3	DIS-H-006409	TR. YUNOKI	TS. MIYAZAKI	11.12.09

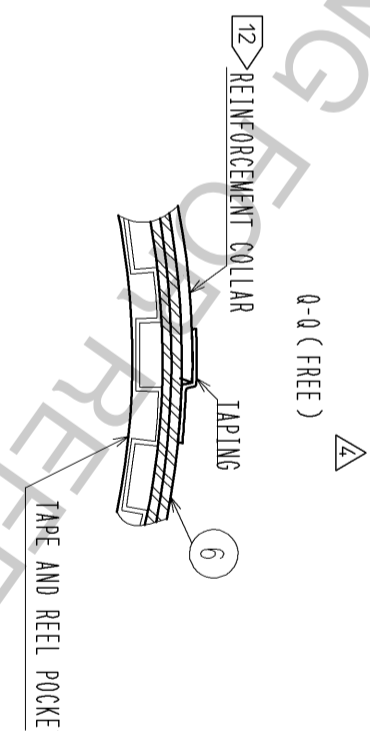
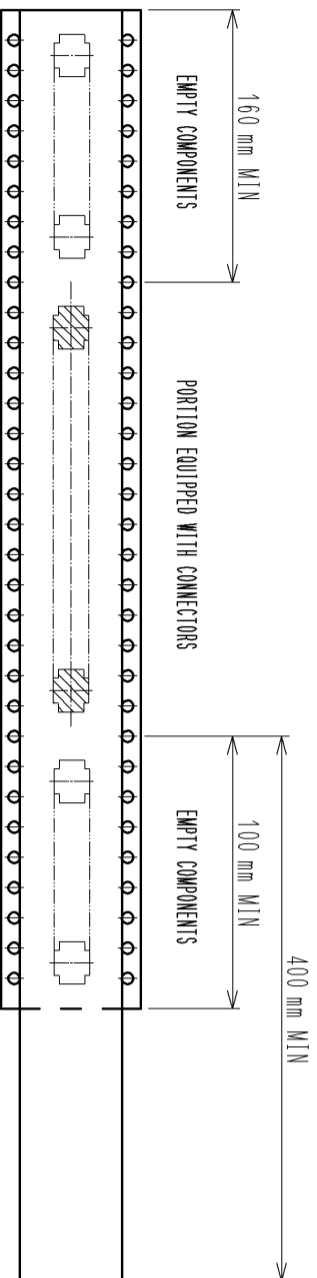
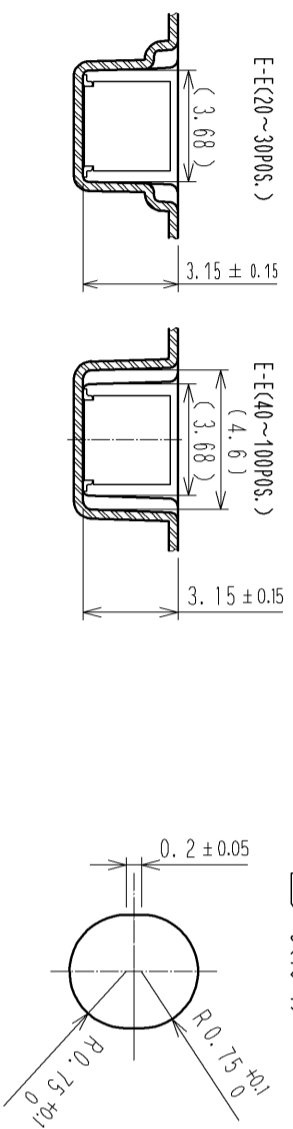
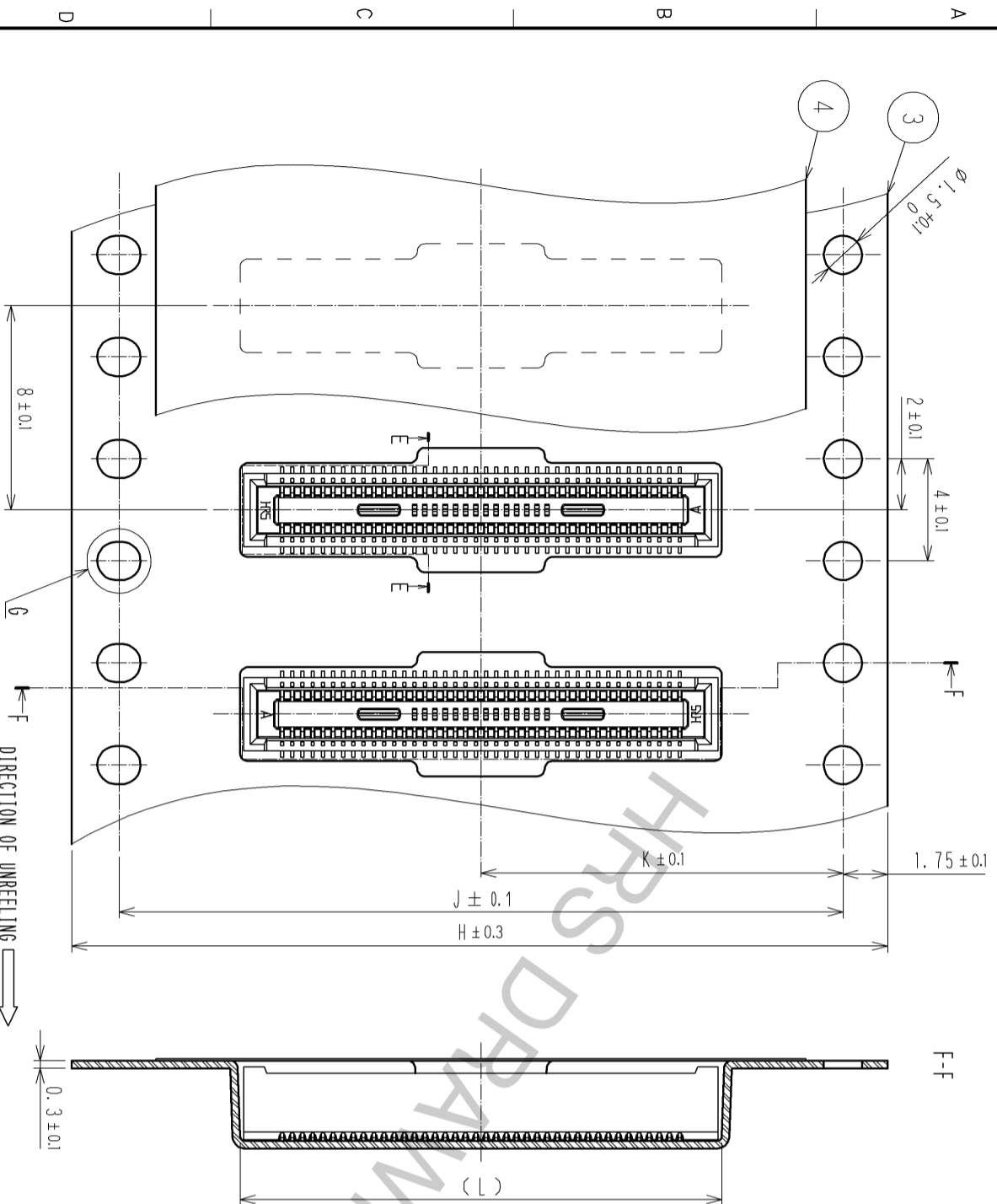
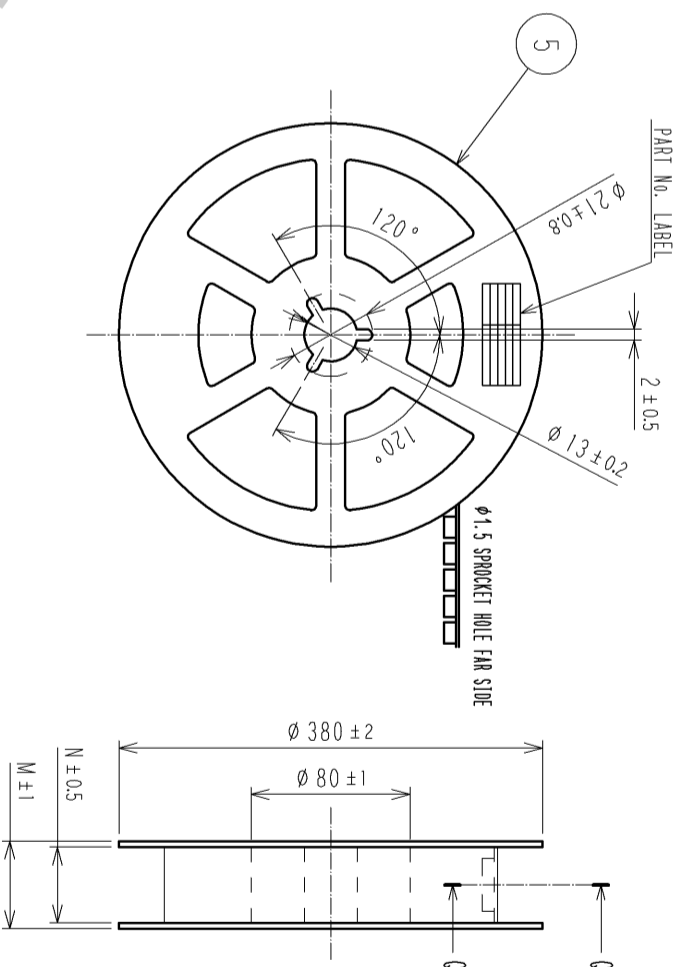
APPROVED	CHECKED	DESIGNED	DRAWING NO.	PART NO.	CODE
KH. IKEDA	AR. TAKAHASHI	TK. SUZUKI	EDC3-315881-01	DF40HC(3.0)-*DS-0.4V(51)	CL684

EMBOSSED CARRIER TAPE (FREE)

STYLE AND DIMENSION OF REEL(FREE SIZE)

10) DETAIL OF PART NO. LABEL

製造年月日	*** ** **
製品コード	CL684-*****-51
製品名	DF40HC(3.0)-DS-0.4V(51)
数量	3000
納入者	ヒロセ電機(株)



製品名	H	J	K	L	M	N
DF40HC(3.0)-20DS-0.4V(51)	16	—	7.5	6.9	21.5	17.5
DF40HC(3.0)-24DS-0.4V(51)	16	—	7.5	7.7	21.5	17.5
DF40HC(3.0)-30DS-0.4V(51)	24	—	11.5	8.9	29.5	25.5
DF40HC(3.0)-40DS-0.4V(51)	24	—	11.5	10.9	29.5	25.5
DF40HC(3.0)-44DS-0.4V(51)	24	—	11.5	11.7	29.5	25.5
DF40HC(3.0)-50DS-0.4V(51)	24	—	11.5	12.9	29.5	25.5
DF40HC(3.0)-60DS-0.4V(51)	24	—	11.5	14.9	29.5	25.5
DF40HC(3.0)-70DS-0.4V(51)	32	28.4	14.2	16.9	37.5	33.5
DF40HC(3.0)-80DS-0.4V(51)	32	28.4	14.2	18.9	37.5	33.5
DF40HC(3.0)-90DS-0.4V(51)	44	40.4	20.2	20.9	49.5	45.5
DF40HC(3.0)-100DS-0.4V(51)	44	40.4	20.2	22.9	49.5	45.5

NOTES

7. PER REEL 3000 CONNECTORS.

8. THE DIMENSIONS IN PARENTHESES ARE FOR REFERENCE. REFER TO JIS C 0806(PACKING OF COMPONENTS FOR AUTOMATIC HANDLING) DETAIL OF PART NO. LABEL IS WRITTEN IN JAPANESE.

9. PART NO. LABEL DESCRIBES THE FOLLOWING INFORMATION FROM TOP.
 PRODUCTION DATE:
 PRODUCT CODE: CL684-*****-51
 PART NUMBER: DF40HC(3.0)-DS-0.4V(51)
 NUMBER OF PIECES: 3000 PIECES
 SUPPLIER NAME: HIROSE ELECTRIC CO., LTD.
 20 TO 60 POSITIONS EMBOSSED CARRIER TAPE HAS THE SPROCKET HOLE ON ONE SIDES.
 AFTER PACKAGING, ROLL 2 METERS OF THE REINFORCEMENT COLLAR TO OUTER CIRCUMFERENCE OF TAPE AND REEL POCKET, AND TAPE DOWN AT THE END THE COLLAR.

HRS

DRAWING NO. EDC3-315881-01

PART NO. DF40HC(3.0)-*DS-0.4V(51)

CODE CL684

2/2