



Chipsmall Limited consists of a professional team with an average of over 10 year of expertise in the distribution of electronic components. Based in Hongkong, we have already established firm and mutual-benefit business relationships with customers from,Europe,America and south Asia,supplying obsolete and hard-to-find components to meet their specific needs.

With the principle of “Quality Parts,Customers Priority,Honest Operation,and Considerate Service”,our business mainly focus on the distribution of electronic components. Line cards we deal with include Microchip,ALPS,ROHM,Xilinx,Pulse,ON,Everlight and Freescale. Main products comprise IC,Modules,Potentiometer,IC Socket,Relay,Connector.Our parts cover such applications as commercial,industrial, and automotives areas.

We are looking forward to setting up business relationship with you and hope to provide you with the best service and solution. Let us make a better world for our industry!



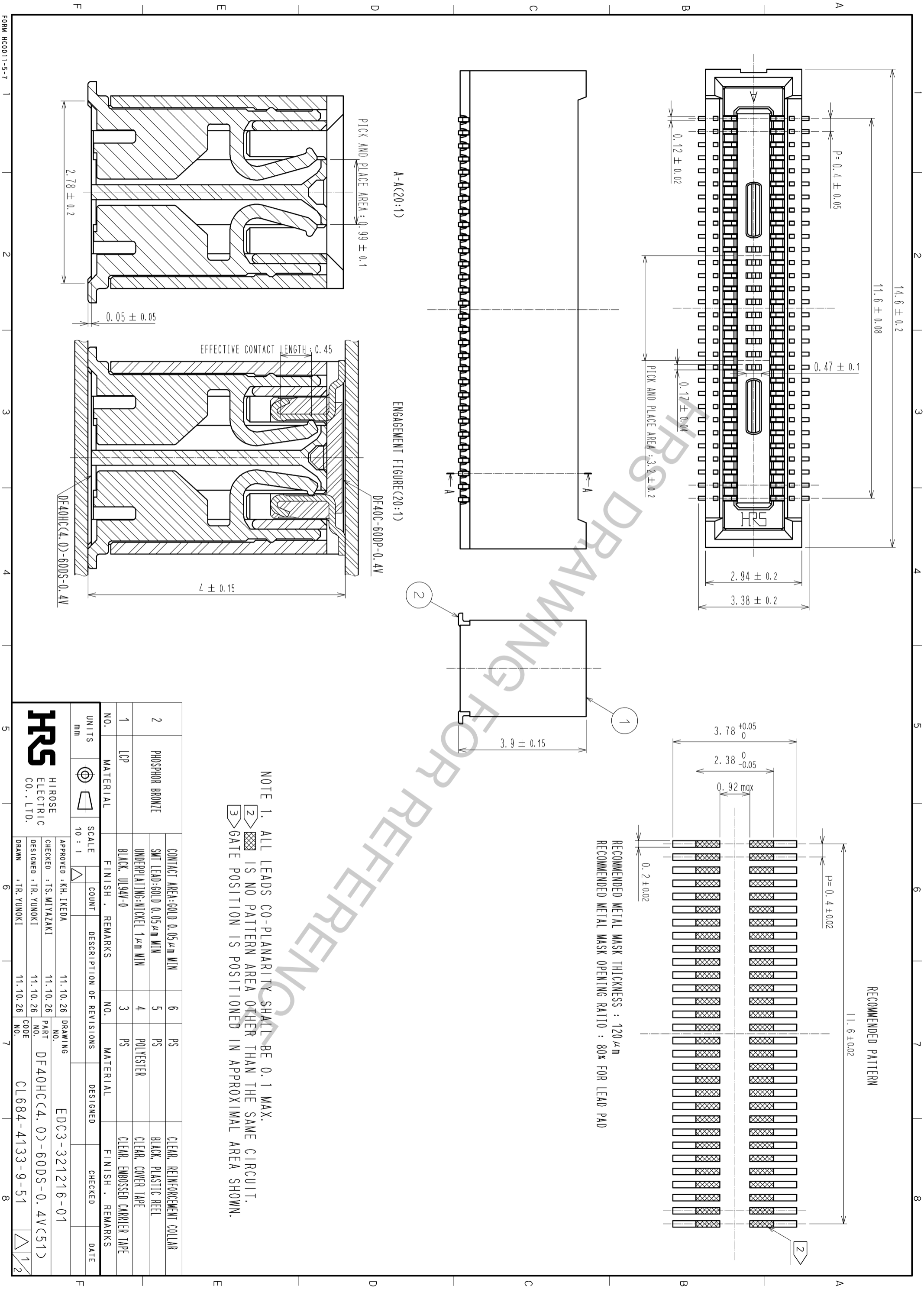
Contact us

Tel: +86-755-8981 8866 Fax: +86-755-8427 6832

Email & Skype: info@chipsmall.com Web: www.chipsmall.com

Address: A1208, Overseas Decoration Building, #122 Zhenhua RD., Futian, Shenzhen, China





A-A(20:1)

ENGAGEMENT FIGURE(20:1)

RECOMMENDED PATTERN

NOTE 1. ALL LEADS CO-PLANARITY SHALL BE 0.1 MAX.
 2 IS NO PATTERN AREA OTHER THAN THE SAME CIRCUIT.
 3 GATE POSITION IS POSITIONED IN APPROXIMAL AREA SHOWN.

NO.	MATERIAL	FINISH . REMARKS	NO.	MATERIAL	FINISH . REMARKS
2	PHOSPHOR BRONZE	CONTACT AREA: GOLD 0.05 μm MIN SMT LEAD: GOLD 0.05 μm MIN	6	PS	CLEAR, REINFORCEMENT COLLAR
		UNDERPLATING: NICKEL 1 μm MIN	5	PS	BLACK, PLASTIC REEL
1	LCP	BLACK, UL94V-0	4	POLYESTER	CLEAR, COVER TAPE
			3	PS	CLEAR, EMOSSSED CARRIER TAPE

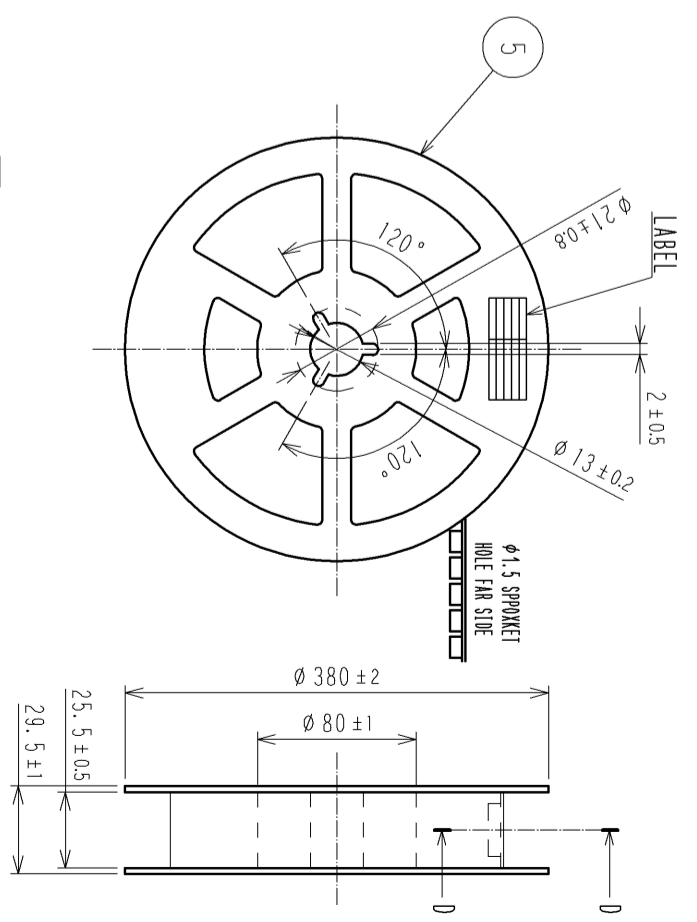
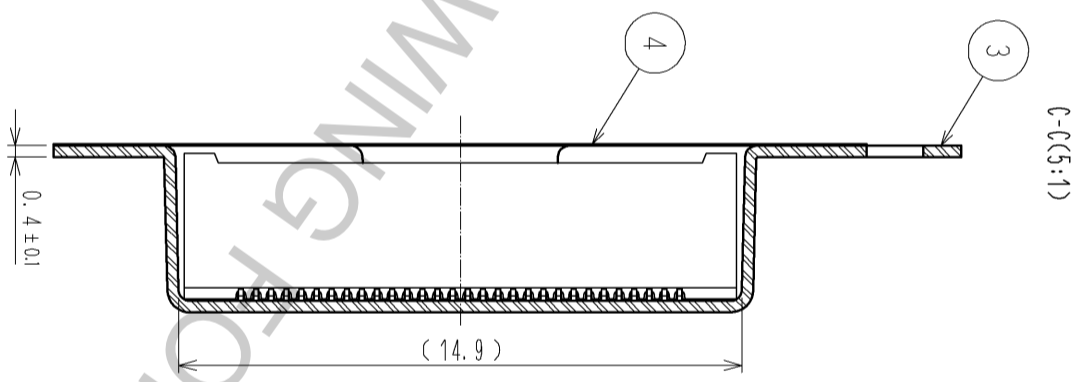
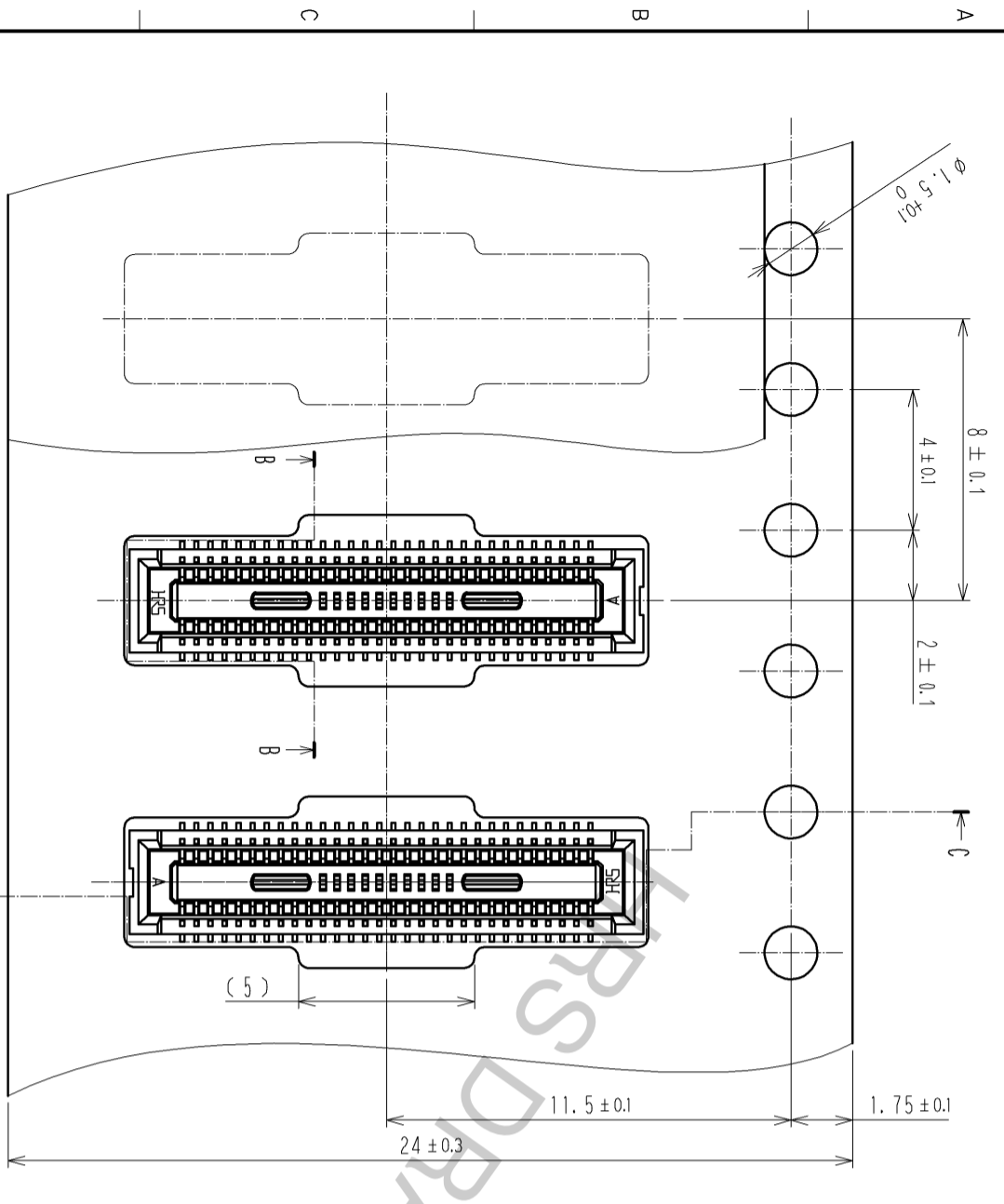
UNITS	SCALE	COUNT	DESCRIPTION OF REVISIONS	DESIGNED	CHECKED	DATE
mm	10 : 1					



APPROVED : KH. IKEDA	11.10.26	DRAWING NO.	EDC3-321216-01
CHECKED : TS. MIYAZAKI	11.10.26	PART NO.	DF40HC(4.0)-60DS-0.4V(C51)
DESIGNED : TR. YUNOKI	11.10.26	CODE NO.	CL684-4133-9-51
DRAWN : TR. YUNOKI	11.10.26		

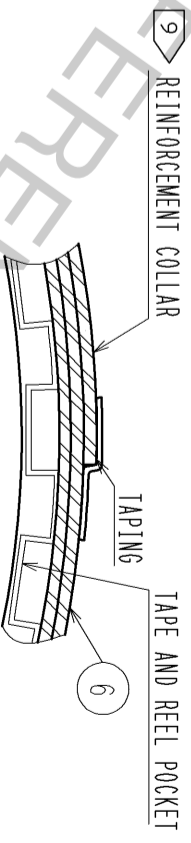
SCALE (5:1)

STYLE AND DIMENSION OF REEL (FREE SIZE)



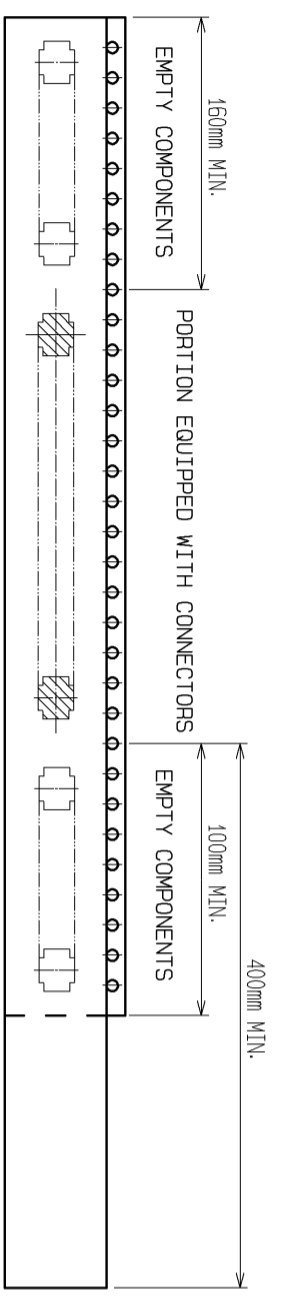
7 > DETAIL OF PART NO. LABEL

製造年月日	** ** *
製品コード	CL684-4133-9-51
製品名	DF40HC(4.0)-60DS-0.4V(51)
数量	2000
納入者	ヒロセ電機(株)



- NOTES)
- PER REEL 2000 CONNECTORS.
 - THE DIMENSIONS IN PARENTHESES ARE FOR REFERENCE.
 - REFER TO JIS C 0806(PACKING OF COMPONENTS FOR AUTOMATIC HANDLING)
 - DETAIL OF PART NO. LABEL IS WRITTEN IN JAPANESE.

PRODUCTION DATE:
 PRODUCT CODE: CL684-4133-9-51
 PART NUMBER: DF40HC(4.0)-60DS-0.4V(51)
 NUMBER OF PIECES: 2000 PIECES
 SUPPLIER NAME: HIROSE ELECTRIC CO., LTD.
 8. THE POCKET SHAPE IS DIFFERENT AT INTERVALS OF FOUR POCKETS TO AVOID OVERLAP.
 AFTER PACKAGING, ROLL 2 METERS OF THE REINFORCEMENT COLLAR TO OUTER CIRCUMFERENCE OF TAPE AND REEL POCKET. AND TAPE DOWN AT THE END THE COLLAR.



TRAILER

6 > TAPING

LEADER

HRS

DRAWING NO.	EDC3-321216-01
PART NO.	DF40HC(4.0)-60DS-0.4V(51)
CODE	CL684-4133-9-51