



Chipsmall Limited consists of a professional team with an average of over 10 year of expertise in the distribution of electronic components. Based in Hongkong, we have already established firm and mutual-benefit business relationships with customers from,Europe,America and south Asia,supplying obsolete and hard-to-find components to meet their specific needs.

With the principle of “Quality Parts,Customers Priority,Honest Operation,and Considerate Service”,our business mainly focus on the distribution of electronic components. Line cards we deal with include Microchip,ALPS,ROHM,Xilinx,Pulse,ON,Everlight and Freescale. Main products comprise IC,Modules,Potentiometer,IC Socket,Relay,Connector.Our parts cover such applications as commercial,industrial, and automotives areas.

We are looking forward to setting up business relationship with you and hope to provide you with the best service and solution. Let us make a better world for our industry!



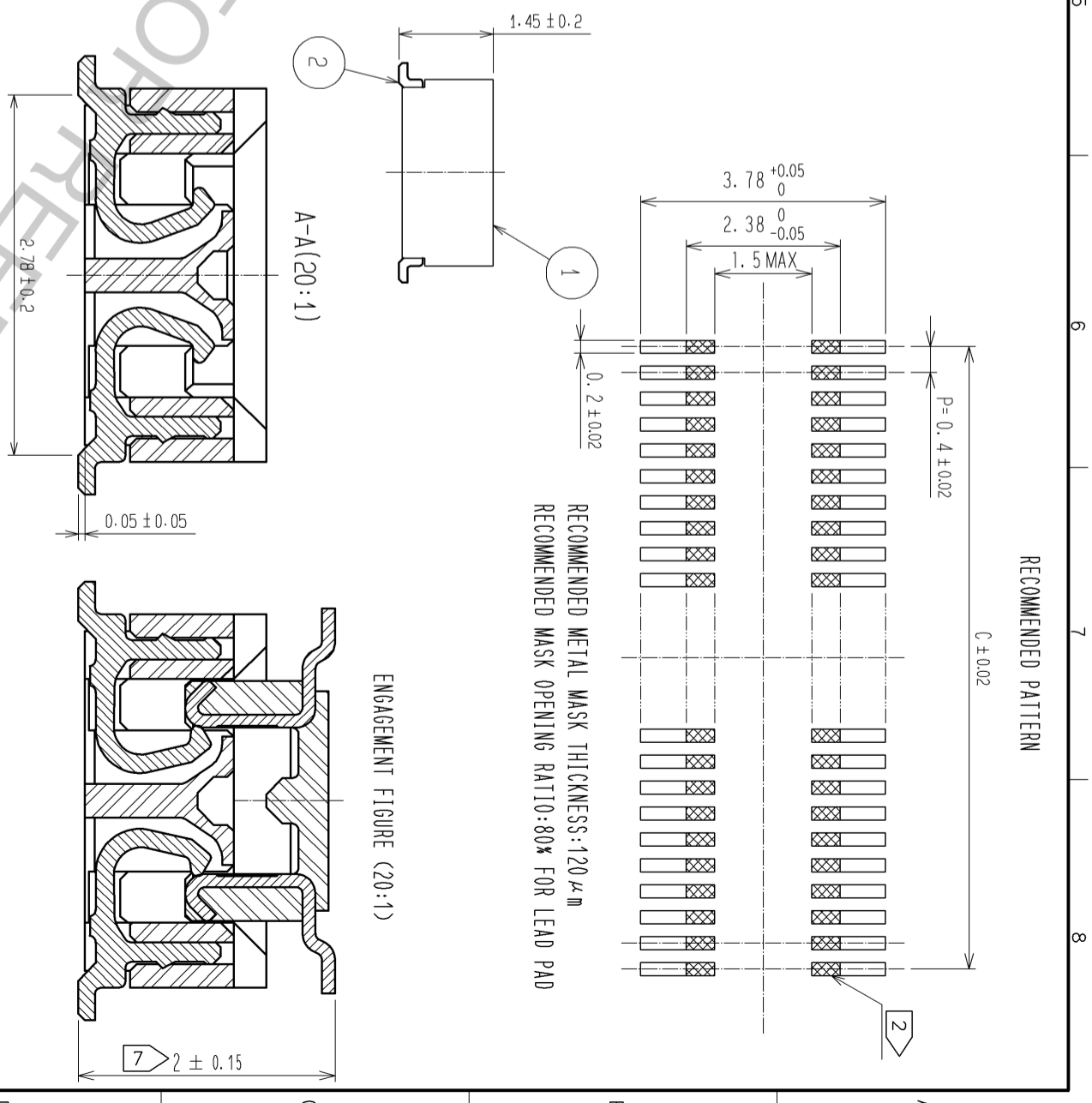
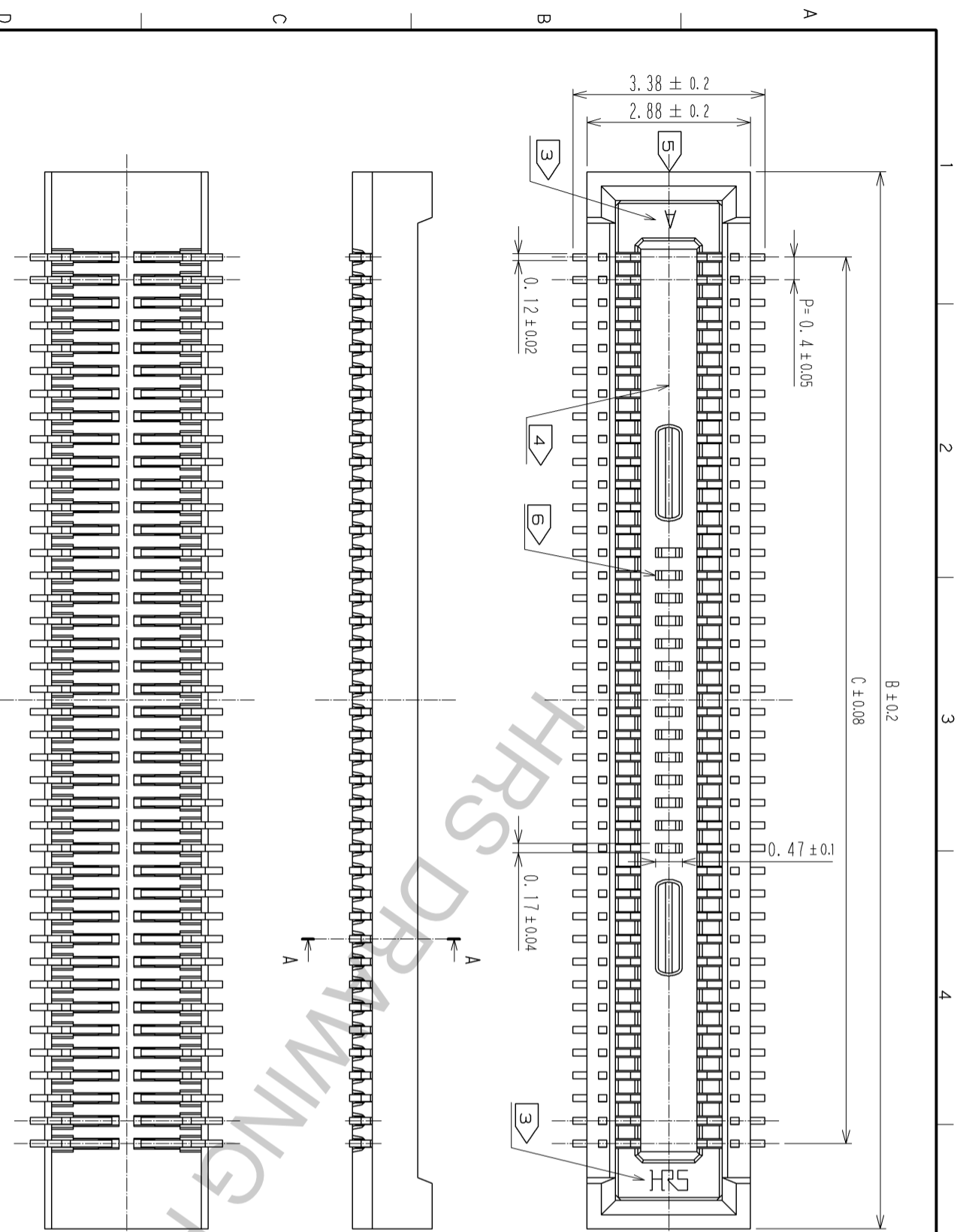
## Contact us

Tel: +86-755-8981 8866 Fax: +86-755-8427 6832

Email & Skype: info@chipsmall.com Web: www.chipsmall.com

Address: A1208, Overseas Decoration Building, #122 Zhenhua RD., Futian, Shenzhen, China





PART NO	CL CODE	B	C
DF40JC-10DS-0.4V(53)	CL694-4059-8-53	4.6	1.6
DF40JC-20DS-0.4V(53)	CL694-4060-7-53	6.6	3.6
DF40JC-24DS-0.4V(53)	CL694-4061-0-53	7.4	4.4
DF40JC-30DS-0.4V(53)	CL694-4062-2-53	8.6	5.6
DF40JC-34DS-0.4V(53)	CL694-4163-0-53	9.4	6.4
DF40JC-40DS-0.4V(53)	CL694-4063-5-53	10.6	7.6
DF40JC-44DS-0.4V(53)	CL694-4137-0-53	11.4	8.4
DF40JC-50DS-0.4V(53)	CL694-4046-6-53	12.6	9.6
DF40JC-60DS-0.4V(53)	CL694-4064-8-53	14.6	11.6
DF40JC-70DS-0.4V(53)	CL694-4145-8-53	16.6	13.6
DF40JC-80DS-0.4V(53)	CL694-4065-0-53	18.6	15.6
DF40JC-90DS-0.4V(53)	CL694-4143-2-53	20.6	17.6
DF40JC-100DS-0.4V(53)	CL694-4066-3-53	22.6	19.6

- NOTES)
- ALL LEADS METAL FITTINGS CO-PLANARITY SHALL BE 0.1mm MAX.
  - IS NO PATTERN AREA OTHER THAN THE SAME CIRCUIT.
  - HRS MARK AND CAV NO. IS INDICATED IN APPROXIMAL POSITION SHOWN.
  - GATE POSITION OF 60 TO 100 POSITIONS IS POSITIONED IN APPROXIMAL AREA SHOWN.
  - GATE POSITION OF 10 TO 50 POSITIONS IS POSITIONED IN APPROXIMAL AREA SHOWN.
  - A PART OF THE WALL COULD BE NOTCHED FOR SETTING GATE.
  - 60 TO 100 POSITIONS HAVE CONCAVE PORTION.
  - THE DIMENSIONS INDICATED IN THE FIGURE IS REFERENCE.
- AN ELECTRIC PERFORMANCE IS GUARANTEED BY BEING MAINTAINED AS SHOWN IN THE FIGURE.

NO.	MATERIAL	FINISH	REMARKS	NO.	MATERIAL	FINISH	REMARKS
1	LCP	BLACK, UL94V-0		3	PS	CLEAR (EMBOSSED CARRIER TAPE)	
2	PHOSPHOR BRONZE	CONTACT AREA: PdNi0.76μm+50μm, 0.05μm MIN UNDERPLATING: NICKEL 1μm MIN		4	POLYESTER	CLEAR (COVER TAPE)	
				5	PS	CLEAR (REINFORCEMENT COLLAR)	

UNITS	SCALE	COUNT	DESCRIPTION OF REVISIONS	DESIGNED	CHECKED	DATE
mm	10 : 1	1	DIS-H-007533	YH. SAKAMOTO	YH. MICHIDA	13.01.07

APPROVED	DESIGNED	CHECKED	DATE
KH. IKEDA	TK. SUZUKI	TS. MIYAZAKI	08.04.28

DESIGNED	CHECKED	DATE
TK. SUZUKI	TK. SUZUKI	08.04.25

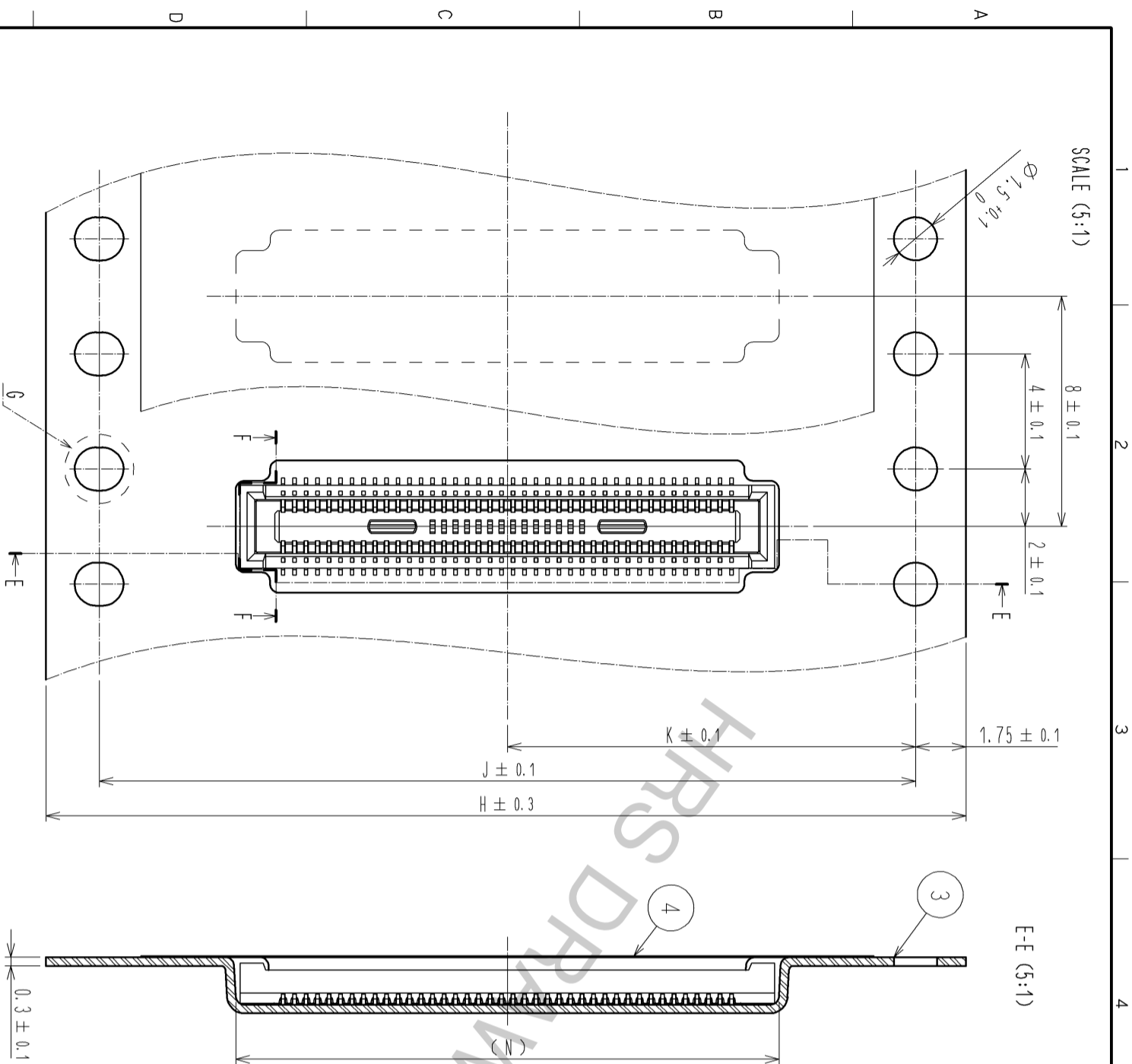
  

DRAWN	CODE	NO.
TK. SUZUKI	CL694	1

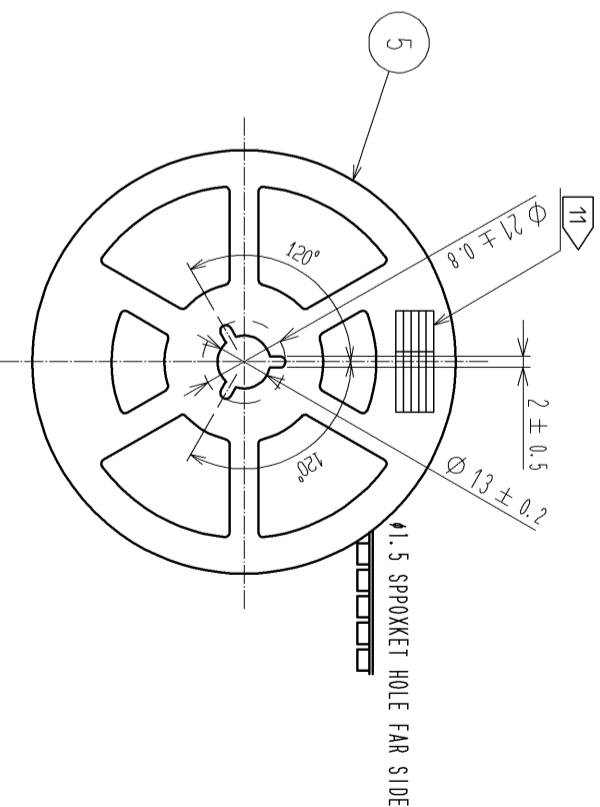
EDC-3-315629-02	DF40JC-DS-0.4V(53)
08.04.28	08.04.25

SCALE (5:1)



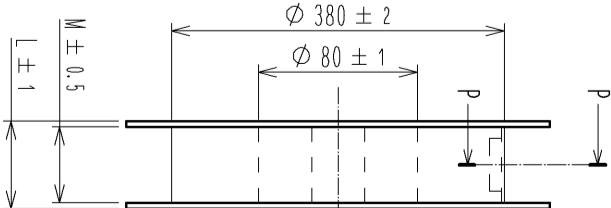
E-E (5:1)

STYLE AND DIMENSION OF REEL (FREE)



DETAIL OF PART NO. LABEL

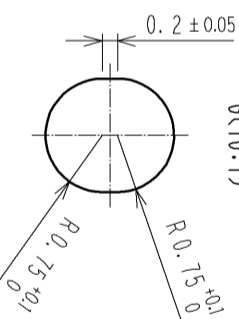
製造年月日	**	**	**	**
製品コード	**	**	**	**
製品名	DF40JC-*DS-0.4V(53)			
数量	200			
納入者	ヒロセ電機(株)			



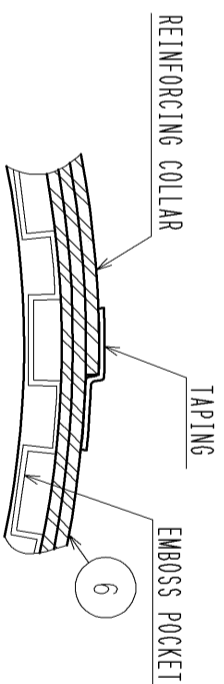
NOTES

- 8. PER REEL 200 CONNECTORS.
- 9. THE DIMENSIONS IN PARENTHESES ARE FOR REFERENCE.
- 10. REFER TO JIS C 0806(IEC 60286-3).
- 11. (PACKING OF COMPONENTS FOR AUTOMATIC HANDLING)  
DETAIL OF PART NO. LABEL IS WRITTEN IN JAPANESE.  
PART NO. LABEL DESCRIBES THE FOLLOWING INFORMATION FROM TOP.  
PRODUCT CODE: CL684-\*-\*53  
PRODUCT DATE:  
PART NUMBER: DF40JC-\*DS-0.4V(53)  
PART NO. LABEL DESCRIBES THE FOLLOWING INFORMATION FROM TOP.  
PRODUCT CODE: CL684-\*-\*53  
PRODUCT DATE:  
PART NUMBER: DF40JC-\*DS-0.4V(53)  
PART NO. LABEL DESCRIBES THE FOLLOWING INFORMATION FROM TOP.  
PRODUCT CODE: CL684-\*-\*53  
PRODUCT DATE:  
PART NUMBER: DF40JC-\*DS-0.4V(53)  
PART NO. LABEL DESCRIBES THE FOLLOWING INFORMATION FROM TOP.
- 12. AFTER PACKING, ROLL 2 METERS OF THE REINFORCEMENT COLLAR TO OUTER CIRCUMFERENCE OF TAPE AND REEL POCKET, AND TAPE DOWN AT THE END THE COLLAR.

6(10:1)

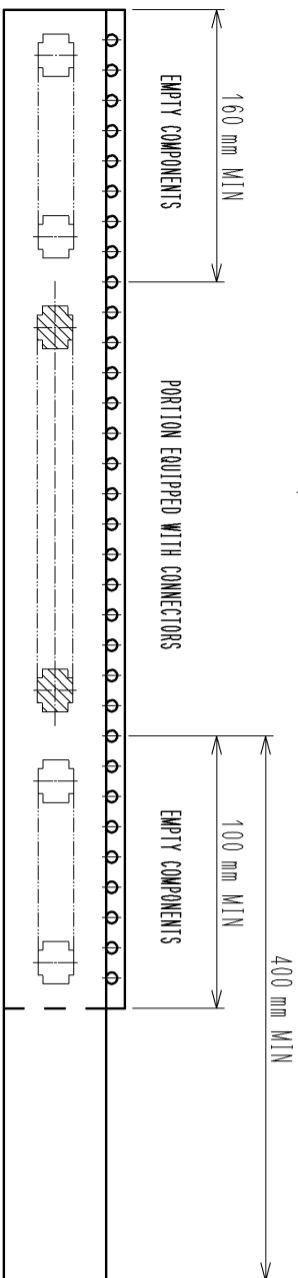


P-P (FREE)



PART NO.	H	J	K	L	M	N
DF40JC-10DS-0.4V(53)	16	-	7.5	21.5	17.5	4.9
DF40JC-20DS-0.4V(53)	16	-	7.5	21.5	17.5	6.9
DF40JC-24DS-0.4V(53)	16	-	7.5	21.5	17.5	7.7
DF40JC-30DS-0.4V(53)	24	-	11.5	29.5	25.5	8.9
DF40JC-34DS-0.4V(53)	24	-	11.5	29.5	25.5	9.8
DF40JC-40DS-0.4V(53)	24	-	11.5	29.5	25.5	10.9
DF40JC-44DS-0.4V(53)	24	-	11.5	29.5	25.5	11.7
DF40JC-50DS-0.4V(53)	24	-	11.5	29.5	25.5	12.9
DF40JC-60DS-0.4V(53)	24	-	11.5	29.5	25.5	14.9
DF40JC-70DS-0.4V(53)	32	28.4	14.2	37.5	33.5	16.9
DF40JC-80DS-0.4V(53)	32	28.4	14.2	37.5	33.5	18.9
DF40JC-90DS-0.4V(53)	44	40.4	20.2	49.5	45.5	22.9
DF40JC-100DS-0.4V(53)	44	40.4	20.2	49.5	45.5	22.9

DIRECTION OF UNREELING



TRAILER

TAPING

LEADER

**HRS**

DRAWING NO.	EDC3-315629-02
PART NO.	DF40JC-*DS-0.4V(53)
CODE	CL684