



Chipsmall Limited consists of a professional team with an average of over 10 year of expertise in the distribution of electronic components. Based in Hongkong, we have already established firm and mutual-benefit business relationships with customers from,Europe,America and south Asia,supplying obsolete and hard-to-find components to meet their specific needs.

With the principle of “Quality Parts,Customers Priority,Honest Operation,and Considerate Service”,our business mainly focus on the distribution of electronic components. Line cards we deal with include Microchip,ALPS,ROHM,Xilinx,Pulse,ON,Everlight and Freescale. Main products comprise IC,Modules,Potentiometer,IC Socket,Relay,Connector.Our parts cover such applications as commercial,industrial, and automotives areas.

We are looking forward to setting up business relationship with you and hope to provide you with the best service and solution. Let us make a better world for our industry!



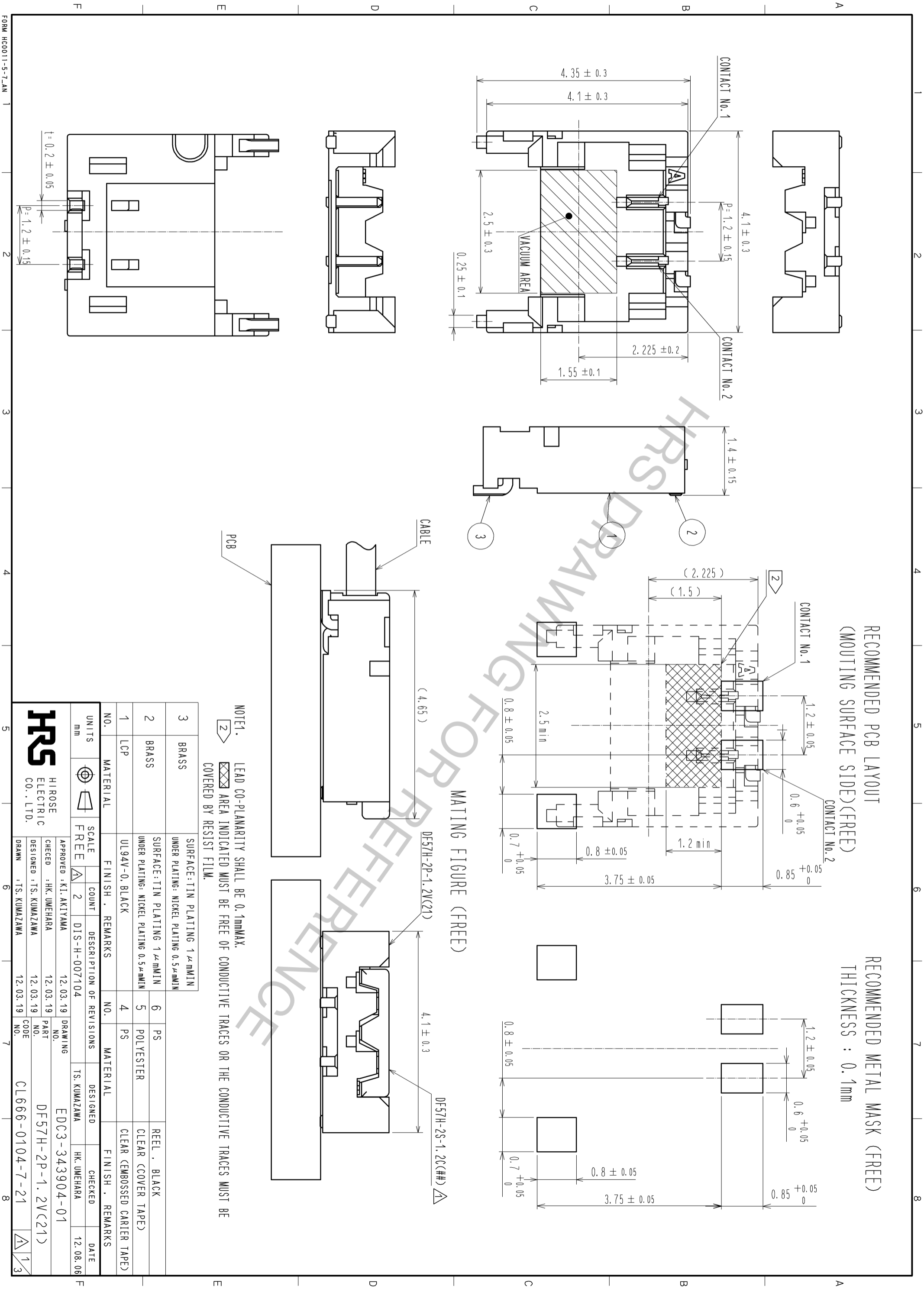
Contact us

Tel: +86-755-8981 8866 Fax: +86-755-8427 6832

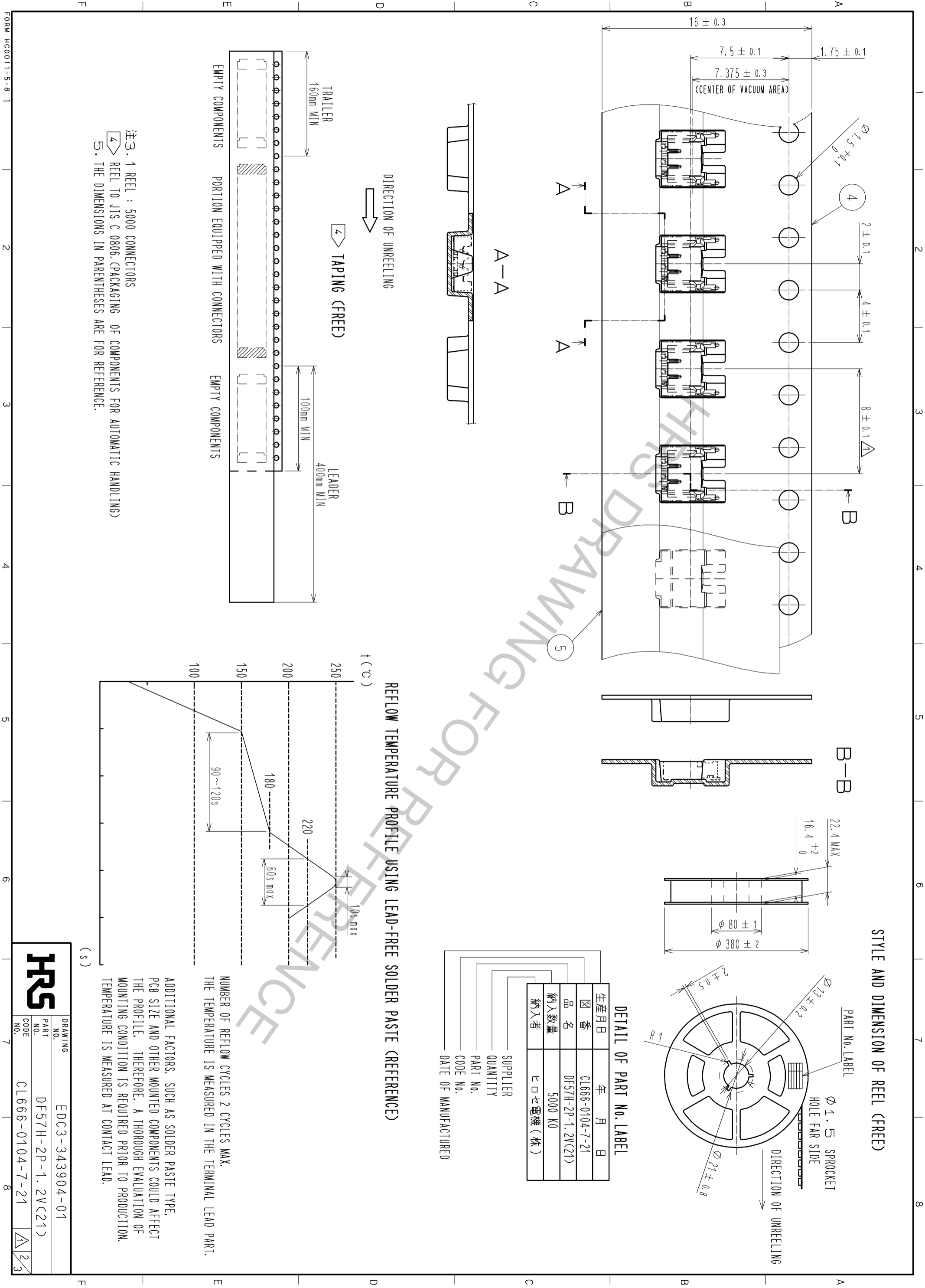
Email & Skype: info@chipsmall.com Web: www.chipsmall.com

Address: A1208, Overseas Decoration Building, #122 Zhenhua RD., Futian, Shenzhen, China

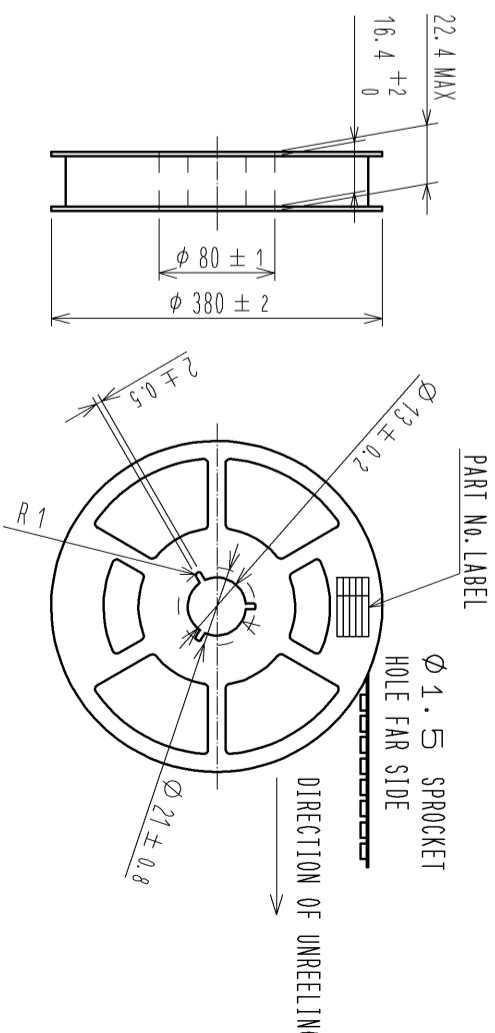




FORM HC0011-5-7-AN



STYLE AND DIMENSION OF REEL (FREE)

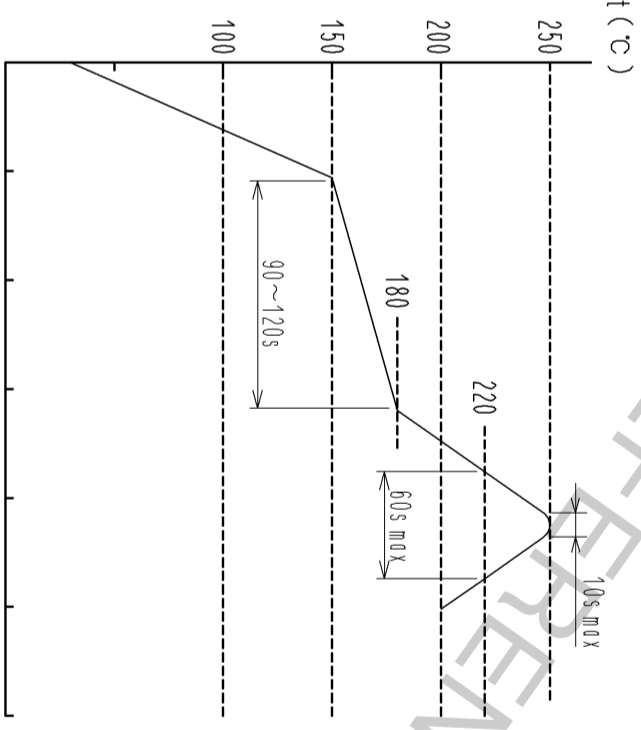


DETAIL OF PART NO. LABEL

生産月日	年	月	日
図番	CL666-0104-7-21		
品名	DF57H-2P-1.2V(21)		
納入数量	5000 K0		
納入者	ヒロセ電機(株)		

SUPPLIER
QUANTITY
PART No.
CODE No.
DATE OF MANUFACTURED

REFLOW TEMPERATURE PROFILE USING LEAD-FREE SOLDER PASTE (REFERENCE)



NUMBER OF REFLOW CYCLES 2 CYCLES MAX.
THE TEMPERATURE IS MEASURED IN THE TERMINAL LEAD PART.

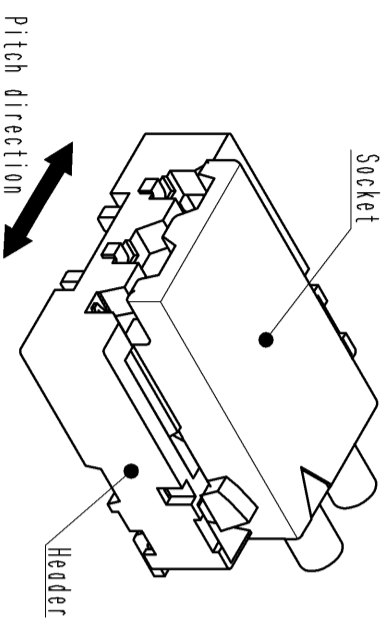
ADDITIONAL FACTORS, SUCH AS SOLDER PASTE TYPE, PCB SIZE AND OTHER MOUNTED COMPONENTS COULD AFFECT THE PROFILE. THEREFORE, A THOROUGH EVALUATION OF MOUNTING CONDITION IS REQUIRED PRIOR TO PRODUCTION. TEMPERATURE IS MEASURED AT CONTACT LEAD.

注3. 1 REEL : 5000 CONNECTORS
 REEL TO JIS C 0806. (PACKAGING OF COMPONENTS FOR AUTOMATIC HANDLING)
 5. THE DIMENSIONS IN PARENTHESES ARE FOR REFERENCE.

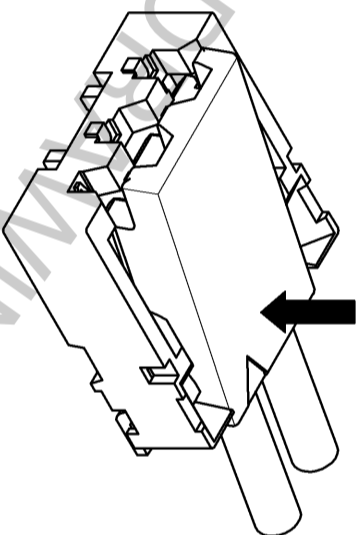
DF57 Series Mating / Unmating Operation Instruction

Mating

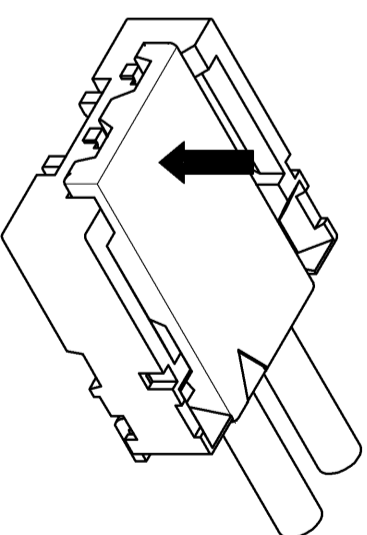
①By positioning the convexity of the socket sides to the header concavity, align the centers of the socket and the header in pitch direction.



②Slightly press the socket down at cable side to tilted angle.

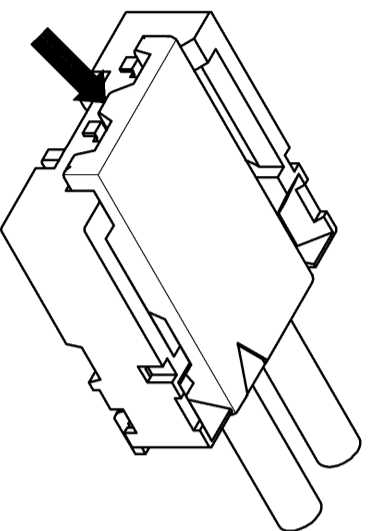


③Press down at the lever side with stabilizing the cable side to insert. Mating completes.

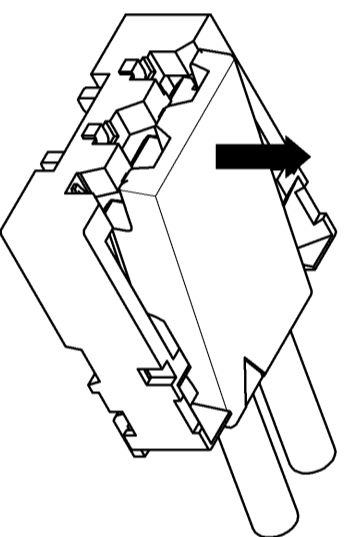


Unmating

①Hook the lever with finger nail.



②Lift up to the upper direction and friction lock is released.



③Lift up to the upper direction and positive lock is released. Removal completes.

