



Chipsmall Limited consists of a professional team with an average of over 10 year of expertise in the distribution of electronic components. Based in Hongkong, we have already established firm and mutual-benefit business relationships with customers from,Europe,America and south Asia,supplying obsolete and hard-to-find components to meet their specific needs.

With the principle of "Quality Parts,Customers Priority,Honest Operation,and Considerate Service",our business mainly focus on the distribution of electronic components. Line cards we deal with include Microchip,ALPS,ROHM,Xilinx,Pulse,ON,Everlight and Freescale. Main products comprise IC,Modules,Potentiometer,IC Socket,Relay,Connector.Our parts cover such applications as commercial,industrial, and automotives areas.

We are looking forward to setting up business relationship with you and hope to provide you with the best service and solution. Let us make a better world for our industry!



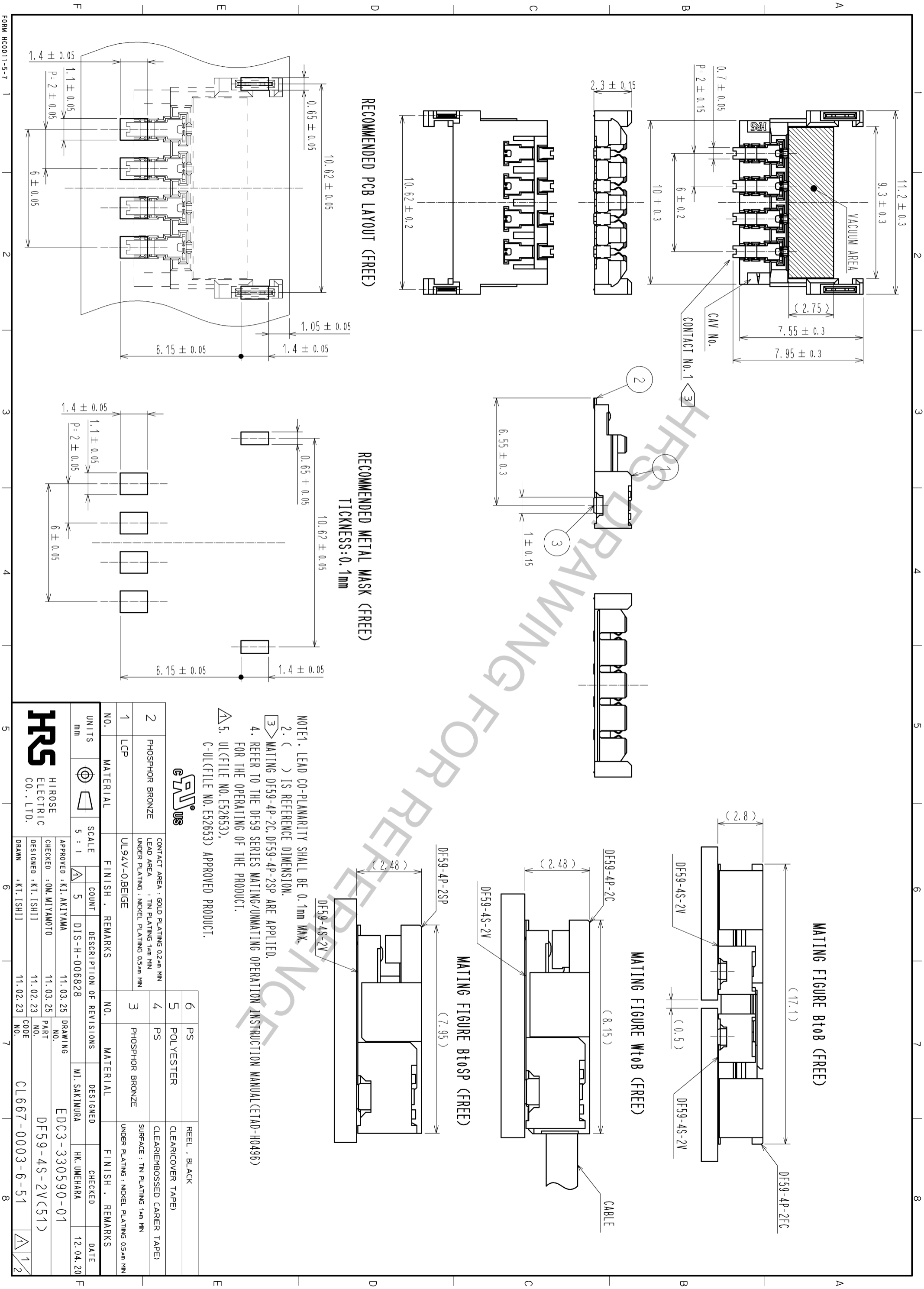
## Contact us

Tel: +86-755-8981 8866 Fax: +86-755-8427 6832

Email & Skype: info@chipsmall.com Web: www.chipsmall.com

Address: A1208, Overseas Decoration Building, #122 Zhenhua RD., Futian, Shenzhen, China





RECOMMENDED PCB LAYOUT (FREE)

RECOMMENDED METAL MASK (FREE)  
THICKNESS: 0.1mm

MATING FIGURE BtOB (FREE)

MATING FIGURE WtOB (FREE)

MATING FIGURE BtOSP (FREE)

NOTE1. LEAD CO-PLANARITY SHALL BE 0.1mm MAX.  
 2. ( ) IS REFERENCE DIMENSION.  
 3. MATING DF59-4P-2C, DF59-4P-2SP ARE APPLIED.  
 4. REFER TO THE DF59 SERIES MATING/UNMATING OPERATION INSTRUCTION MANUAL(ETAD-H0496)  
 FOR THE OPERATING OF THE PRODUCT.  
 5. UL(FILE NO. E52653),  
 C-UL(FILE NO. E52653) APPROVED PRODUCT.



NO.	MATERIAL	FINISH	REMARKS	NO.	MATERIAL	FINISH	REMARKS
1	LCP	UL94V-0/BEIGE		3	PHOSPHOR BRONZE		UNDER PLATING : NICKEL PLATING 05μm MIN
2	PHOSPHOR BRONZE		CONTACT AREA : GOLD PLATING 0.2μm MIN LEAD AREA : TIN PLATING 1μm MIN UNDER PLATING : NICKEL PLATING 05μm MIN	4	PS		CLEAR/EMBOSSED CARRIER TAPE)
				5	POLYESTER		CLEARCOVER TAPE)
				6	PS		REEL . BLACK

UNITS	SCALE	COUNT	DESCRIPTION OF REVISIONS	DESIGNED	CHECKED	DATE
mm	5 : 1	5	DIS-H-006828	MI. SAKIMURA	HK. UMEHARA	12.04.20

APPROVED	DESIGNED	CHECKED	DESIGNED	DATE
KI. AKIYAMA	MI. SAKIMURA	OM. MIYAMOTO	MI. SAKIMURA	11.03.25
		KT. ISHII	KT. ISHII	11.02.23
				11.02.23

DESIGNED	CHECKED	DATE
KT. ISHII	KT. ISHII	11.02.23

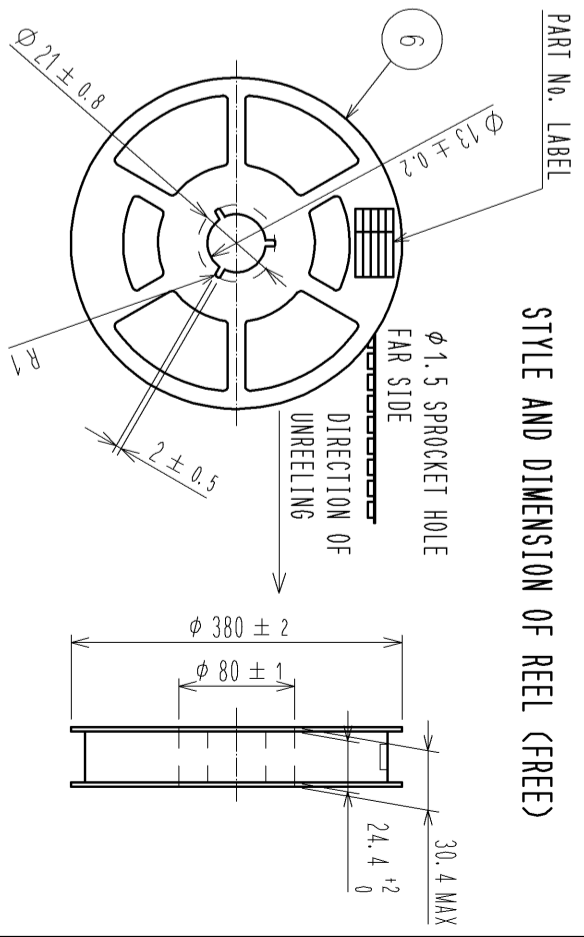
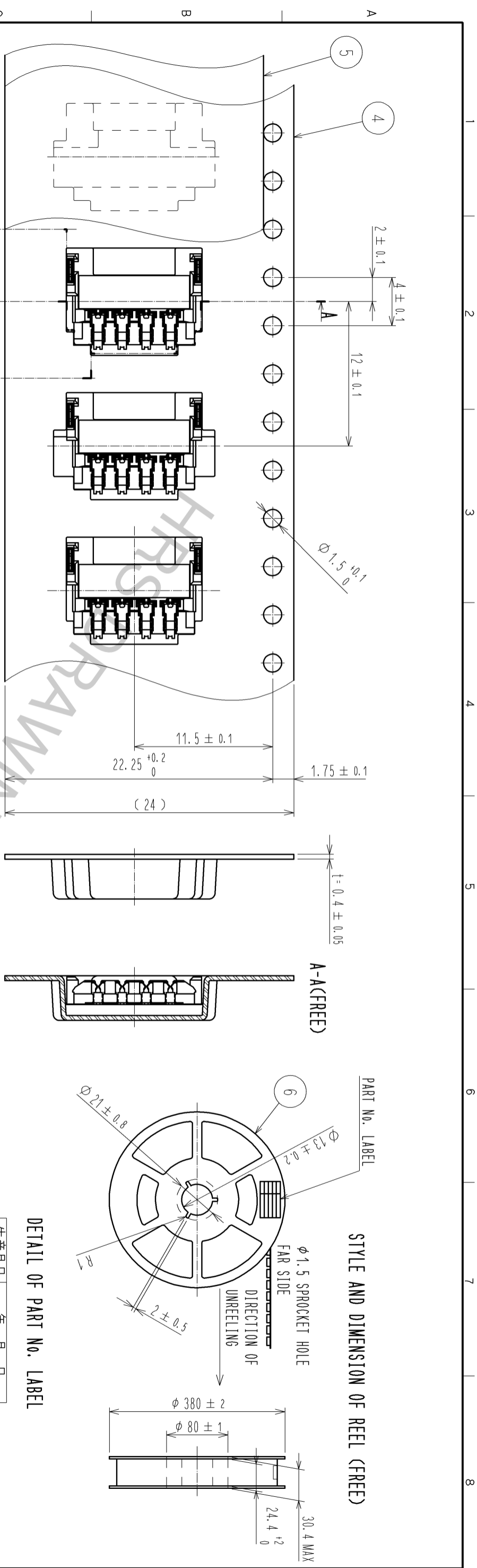
  

DRAWN	CODE	NO.
KT. ISHII	CL667-0003-6-51	1



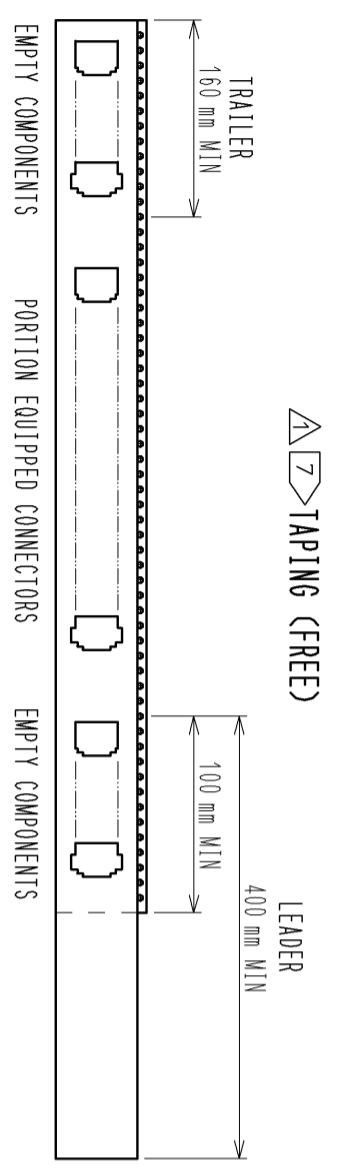
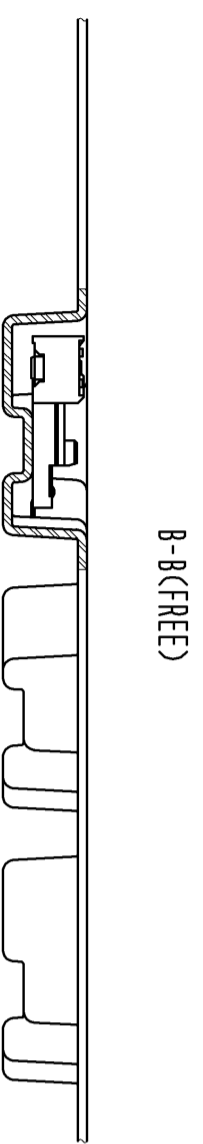
HIROSE ELECTRIC CO., LTD.

FORM HCO011-5-7



DETAIL OF PART No. LABEL

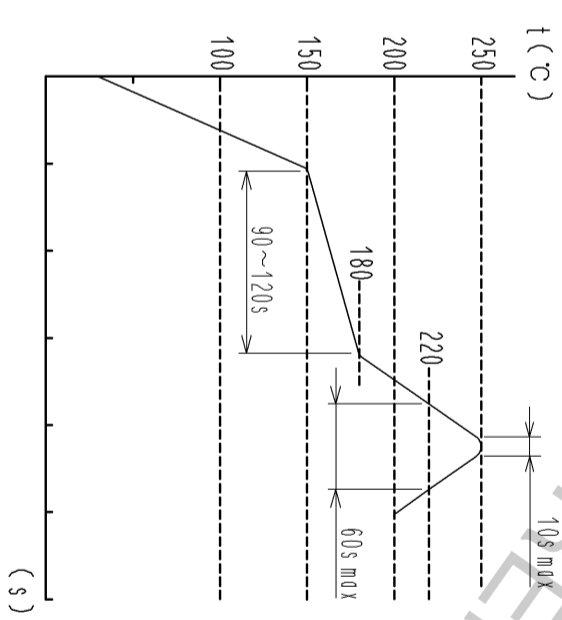
生産月日	年月日
図番	CL667-0003-6-51
品名	DF59-4S-2V(C51)
納入数量	2000 K0
納入者	ヒロセ電機(株)
SUPPLIER	
QUANTITY	
PART No.	
CODE No.	
DATE OF MANUFACTURED	



NOTE: 6 REEL : 2000 CONNECTORS

7 REEL TO JIS C 0806. (PACKAGING OF COMPONENTS FOR AUTOMATING HANDLING)

8 THE DIMENSIONS IN PARENTHESES ARE FOR REFERENCE.



NUMBER OF REFLOW CYCLES 2 CYCLES MAX.  
 THE TEMPERATURE IS MEASURED IN THE TERMINAL LEAD PART.  
 ADDITIONAL FACTORS, SUCH AS SOLDER PASTE TYPE,  
 PCB SIZE AND OTHER MOUNTED COMPONENTS COULD AFFECT  
 THE PROFILE. THEREFORE, A THOROUGH EVALUATION OF  
 MOUNTING CONDITION IS REQUIRED PRIOR TO PRODUCTION.  
 TEMPERATURE IS MEASURED AT CONTACT LEAD.

**HRS**

DRAWING NO.	EDC3-330590-01
PART NO.	DF59-4S-2V(C51)
CODE NO.	CL667-0003-6-51

2/2