



Chipsmall Limited consists of a professional team with an average of over 10 year of expertise in the distribution of electronic components. Based in Hongkong, we have already established firm and mutual-benefit business relationships with customers from,Europe,America and south Asia,supplying obsolete and hard-to-find components to meet their specific needs.

With the principle of “Quality Parts,Customers Priority,Honest Operation,and Considerate Service”,our business mainly focus on the distribution of electronic components. Line cards we deal with include Microchip,ALPS,ROHM,Xilinx,Pulse,ON,Everlight and Freescale. Main products comprise IC,Modules,Potentiometer,IC Socket,Relay,Connector.Our parts cover such applications as commercial,industrial, and automotives areas.

We are looking forward to setting up business relationship with you and hope to provide you with the best service and solution. Let us make a better world for our industry!



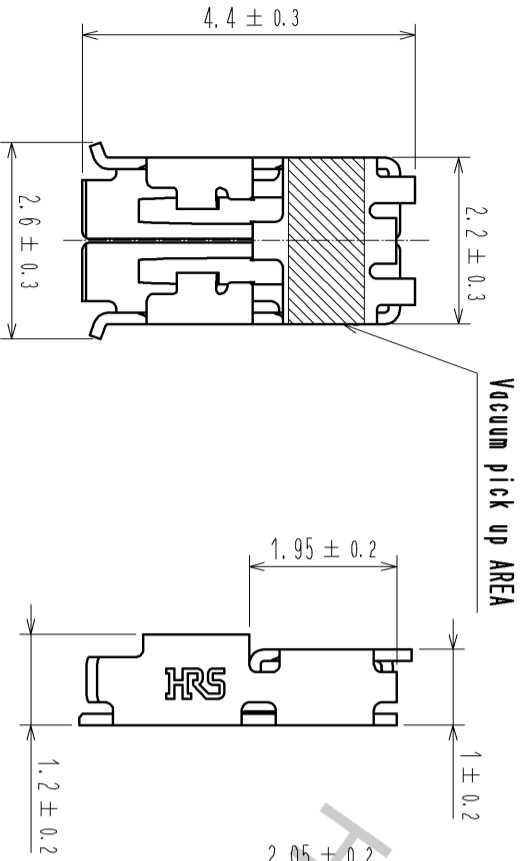
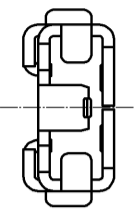
## Contact us

Tel: +86-755-8981 8866 Fax: +86-755-8427 6832

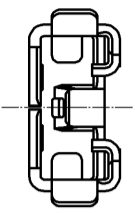
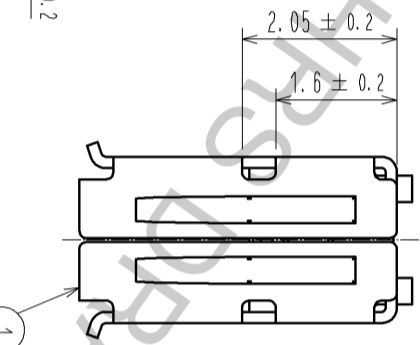
Email & Skype: info@chipsmall.com Web: www.chipsmall.com

Address: A1208, Overseas Decoration Building, #122 Zhenhua RD., Futian, Shenzhen, China

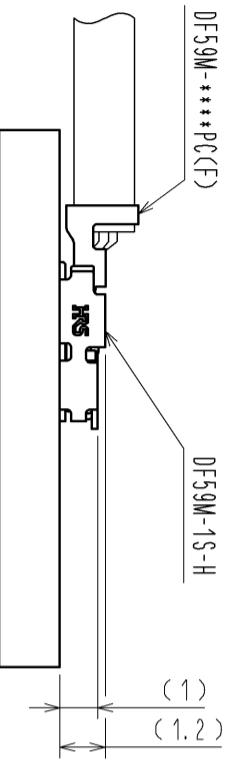
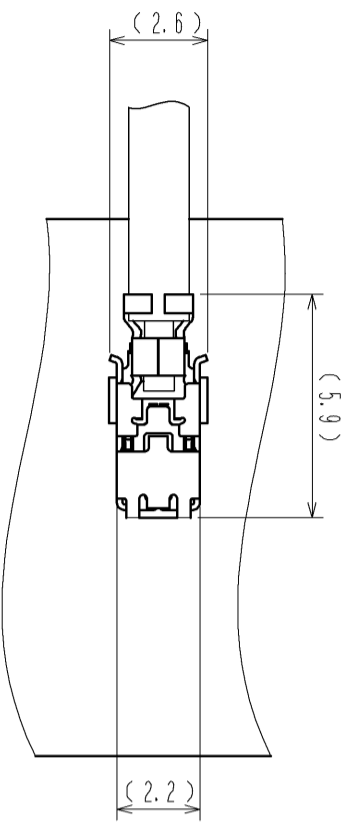




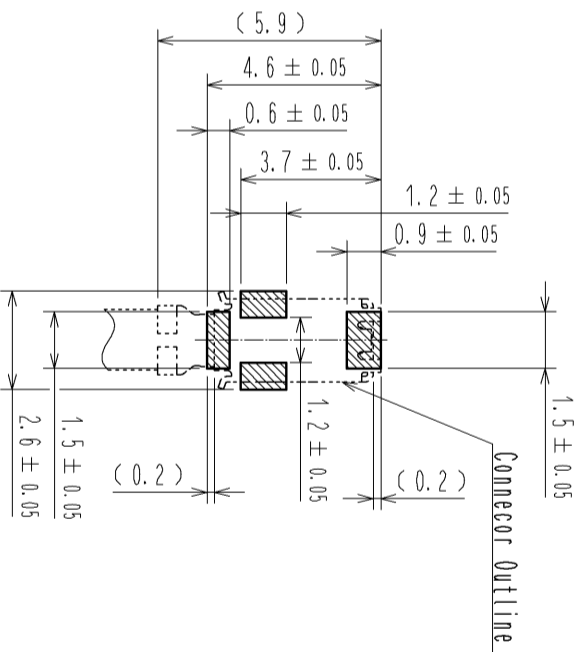
Vacuum pick up AREA



Mating Figure(5:1)

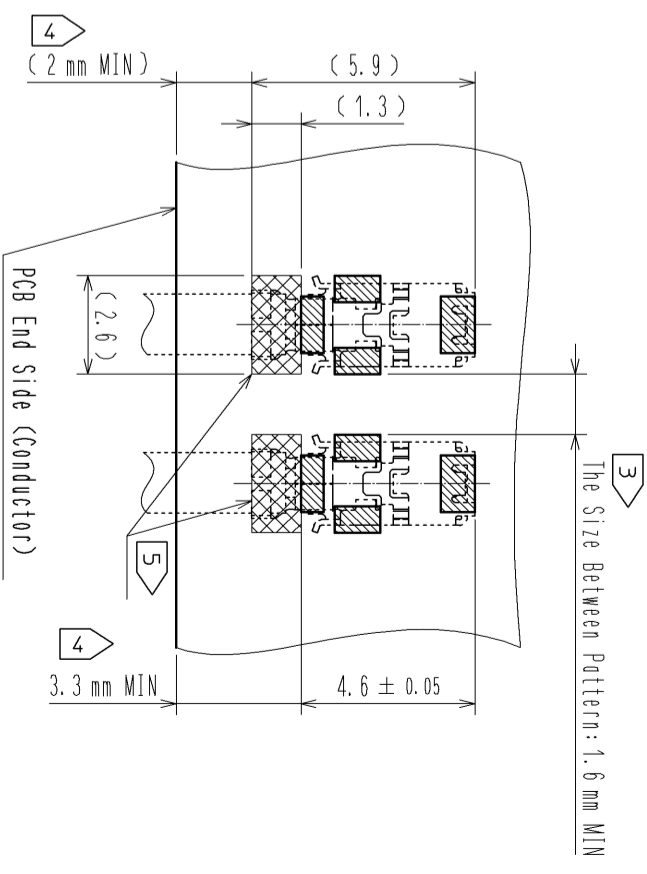


Recommended PCB Layout (5 : 1)

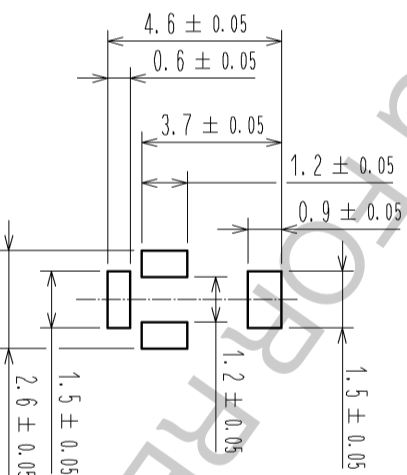


Connector Outline

Parallel Arrangement Recommended PCB Layout(5 : 1)



Recommended Metal Mask (5 : 1)  
Thickness : 0.1mm



**Warning**

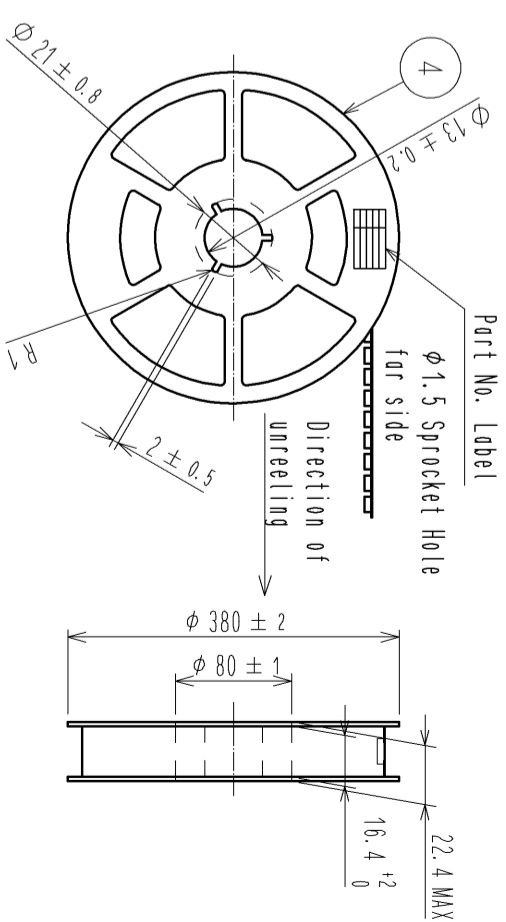
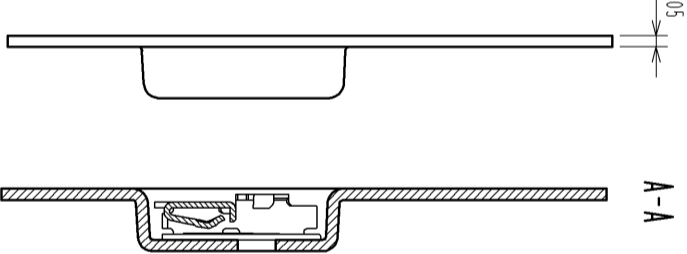
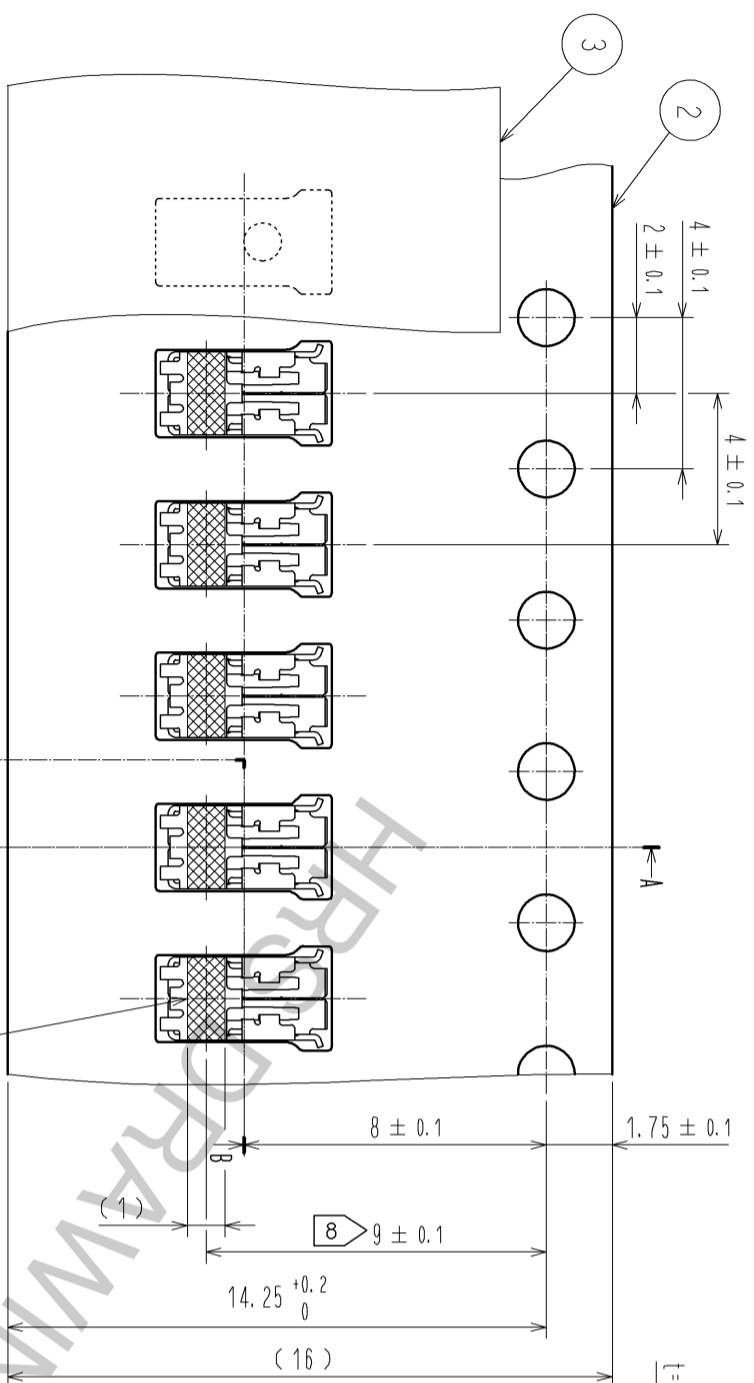
This product does not have an insulator.  
Please do not operate the connector during current-carrying.

NOTE 1. lead co-planarity shall be 0.1mm MAX.

2. The Dimensions In Parentheses Are For Reference.

- ③ In accordance with IEC60664 and JIS C 60664, creepage distance of 1.6mm or more is required in 300V of rated voltage. (In pollution degree2 of printed wiring material)
- ④ Please take +0.4mm longer than the standard of recommended creepage distance for the direction, because the direction is needed consideration of the mating clearance and manufacturing tolerance of crimping.
- ⑤ Keep the indicated area away from Conductive trace.  
When patterning is not avoidable, Conductive trace must be covered by resist film.

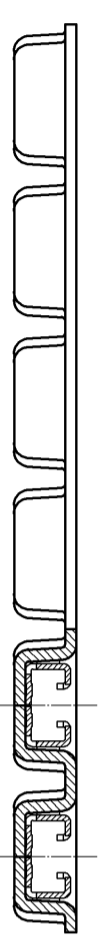
NO.	1	Cooper Alloy	SURFACE:TIN-PLATING 1μm MIN. UNDER PLATING:NICKEL 0.5μm MIN.	NO.	3	PS	REEL, BLACK
MATERIAL				FINISH . REMARKS	2	PS	CLEARCOVER TAPE) CLEAREMOSSSED CARRIER TAPE)
UNITS	mm			SCALE	10 : 1		
DESCRIPTION OF REVISIONS				DESIGNED		CHECKED	DATE
APPROVED : HK. UMEHARA	14.05.20	DRAWING NO.	EDC3-356514-01	CHECED : HK. UMEHARA	14.05.20	PART NO.	DF59M-1S-H(21)
DESIGNED : SZ. ONO	14.05.20	DRAWN	: SZ. ONO	14.05.20	CL667-0041-5-21		



Style And Dimension Of Reel(Free)

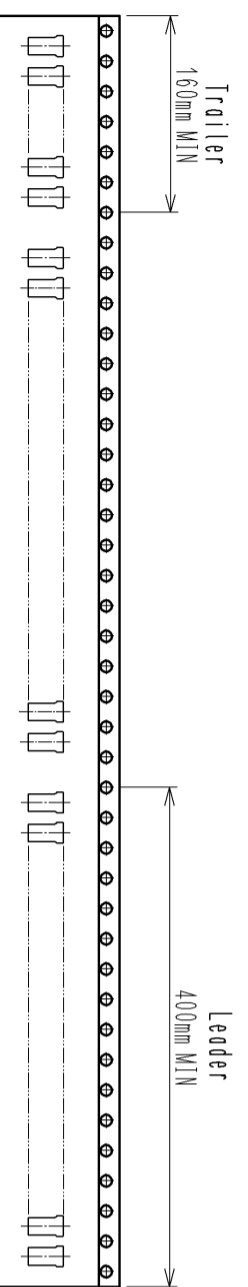
Detail of part No. Label

生産月日	年 月 日
図番	CL667-0041-5-21
品名	DF59M-1S-H(21)
納入数量	10000 K0
納入者	ヒロセ電機(株)

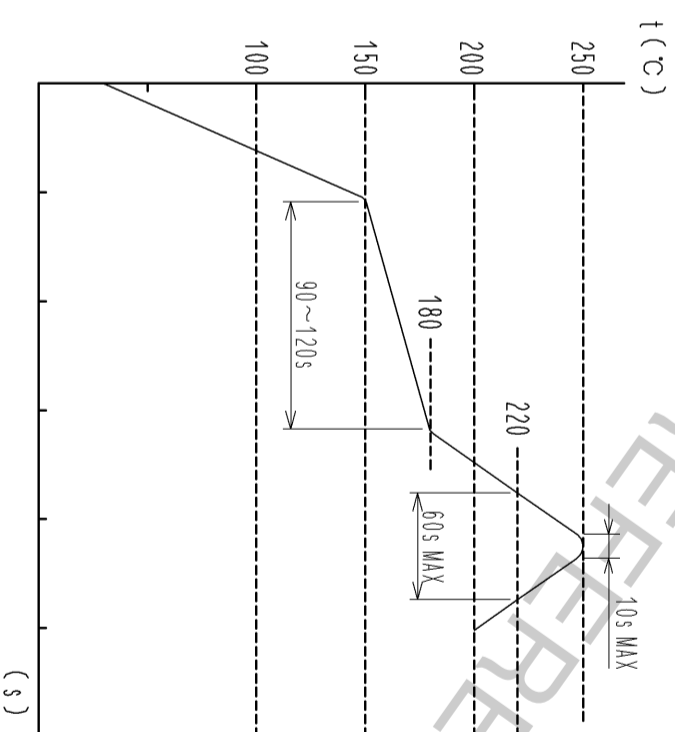


Direction of unreeling

7 Taping(Free)



Reflow Temperature Profile Using Lead-Free Solder Paste(Reference)



Number of reflow cycles 2 cycles Max.  
 The Temperature Is Measured In The Terminal Lead Part.  
 Additional factors, such as solder paste Type,  
 PCB Size and other mounted components could affect  
 The PROFILE.  
 Therefore, A thorough evaluation of mounting Condition is  
 required prior to production.  
 temperature is measured at contact lead.

- NOTE6. 1.Reel:10000 connectors.  
 7 Reel to IEC 60286-3 and JIS C 0806 (Packaging of Components for Automating Handling)  
 8 It becomes the center position of adsorption.  
 9. Rough plating surface of connector top after reflow doesn't affect product quality.  
 10. Always refer to the manuals below for operation of this product.  
 For Operation Manual ETAD-H0779

**HRS**

DRAWING NO.	EDC3-356514-01
PART NO.	DF59M-1S-H(21)
CODE	CL667-0041-5-21