



Chipsmall Limited consists of a professional team with an average of over 10 year of expertise in the distribution of electronic components. Based in Hongkong, we have already established firm and mutual-benefit business relationships with customers from,Europe,America and south Asia,supplying obsolete and hard-to-find components to meet their specific needs.

With the principle of “Quality Parts,Customers Priority,Honest Operation,and Considerate Service”,our business mainly focus on the distribution of electronic components. Line cards we deal with include Microchip,ALPS,ROHM,Xilinx,Pulse,ON,Everlight and Freescale. Main products comprise IC,Modules,Potentiometer,IC Socket,Relay,Connector.Our parts cover such applications as commercial,industrial, and automotives areas.

We are looking forward to setting up business relationship with you and hope to provide you with the best service and solution. Let us make a better world for our industry!



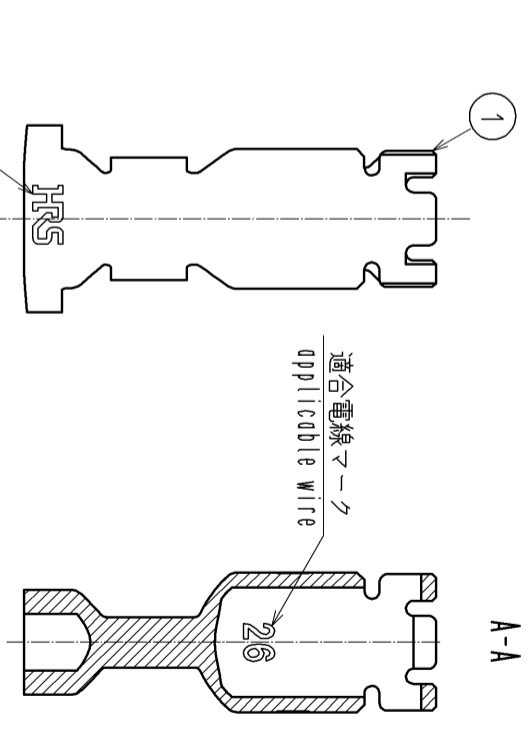
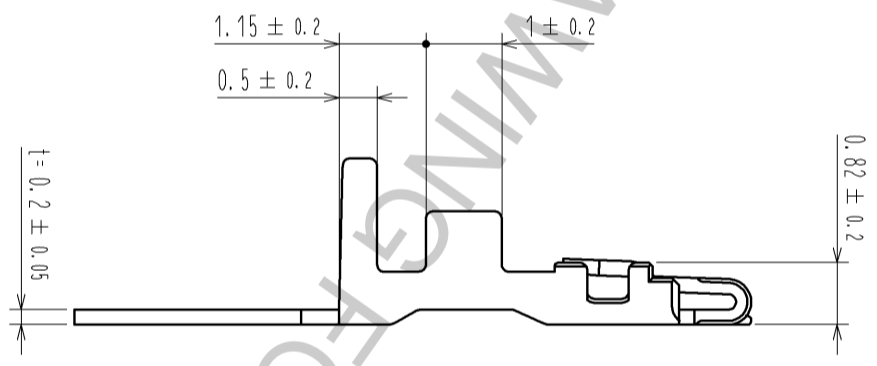
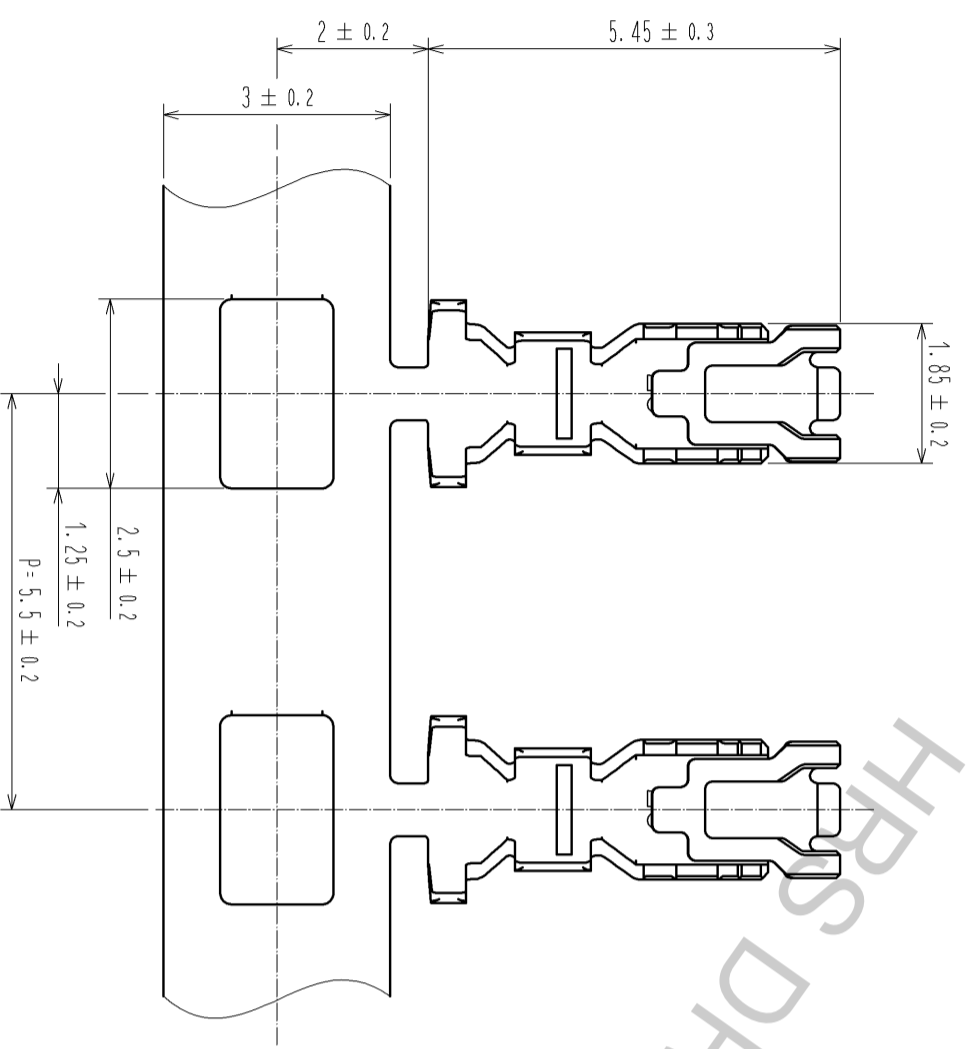
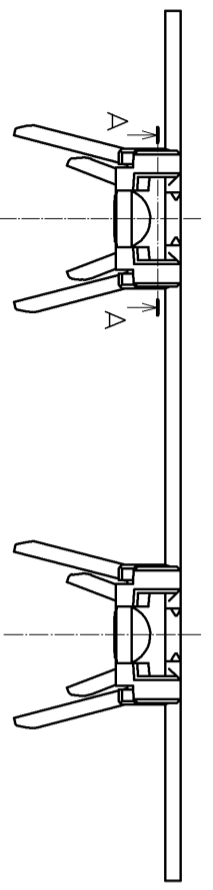
Contact us

Tel: +86-755-8981 8866 Fax: +86-755-8427 6832

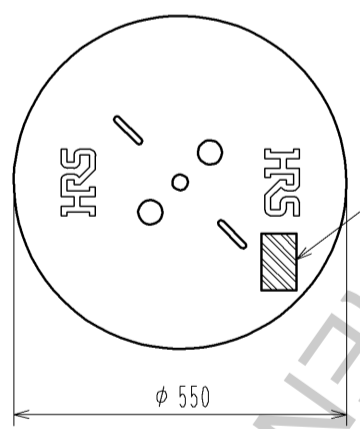
Email & Skype: info@chipsmall.com Web: www.chipsmall.com

Address: A1208, Overseas Decoration Building, #122 Zhenhua RD., Futian, Shenzhen, China





2 Reel style and dimensions
Part No. Label



Detail of Part No. Label

HRS		検査
品名コード	01667-0043-0	
品名	DF59M-2628PCF	
数量	15000	
仕様		
LOT NO.		
検査目録		
Section		Inspection
Lot No.		
Specification		
Quantity		
Part No.		
Code No.		

- Notes
- 1RL : 15000 contacts.
 - 2 Style of reel and box are shown in figure.
 - 3 Please be sure to check the form of crimping using a cable when you adjust applicator.
 - 4 Always refer to the manuals below for operation of this product.
For Cable assembly / Cable assembly procedure ETAD-H0778
For Mating/Unmating / Operation manual ETAD-H0779

NO.	MATERIAL	FINISH . REMARKS	NO.	MATERIAL	FINISH . REMARKS
1	Copper Alloy	Surface : Tin plating 1μm MIN			

UNITS	SCALE	COUNT	DESCRIPTION OF REVISIONS	DESIGNED	CHECKED	DATE
mm	10 : 1					

APPROVED : HK. UMEHARA	14.05.20	DRAWING	EDC3-356516-01
CHECKED : HK. UMEHARA	14.05.20	PART	DF59M-2628PCF
DESIGNED : SZ. ONO	14.05.20	NO.	
DRAWN : SZ. ONO	14.05.20	CODE	CL667-0043-0-00