



Chipsmall Limited consists of a professional team with an average of over 10 year of expertise in the distribution of electronic components. Based in Hongkong, we have already established firm and mutual-benefit business relationships with customers from,Europe,America and south Asia,supplying obsolete and hard-to-find components to meet their specific needs.

With the principle of “Quality Parts,Customers Priority,Honest Operation,and Considerate Service”,our business mainly focus on the distribution of electronic components. Line cards we deal with include Microchip,ALPS,ROHM,Xilinx,Pulse,ON,Everlight and Freescale. Main products comprise IC,Modules,Potentiometer,IC Socket,Relay,Connector.Our parts cover such applications as commercial,industrial, and automotives areas.

We are looking forward to setting up business relationship with you and hope to provide you with the best service and solution. Let us make a better world for our industry!



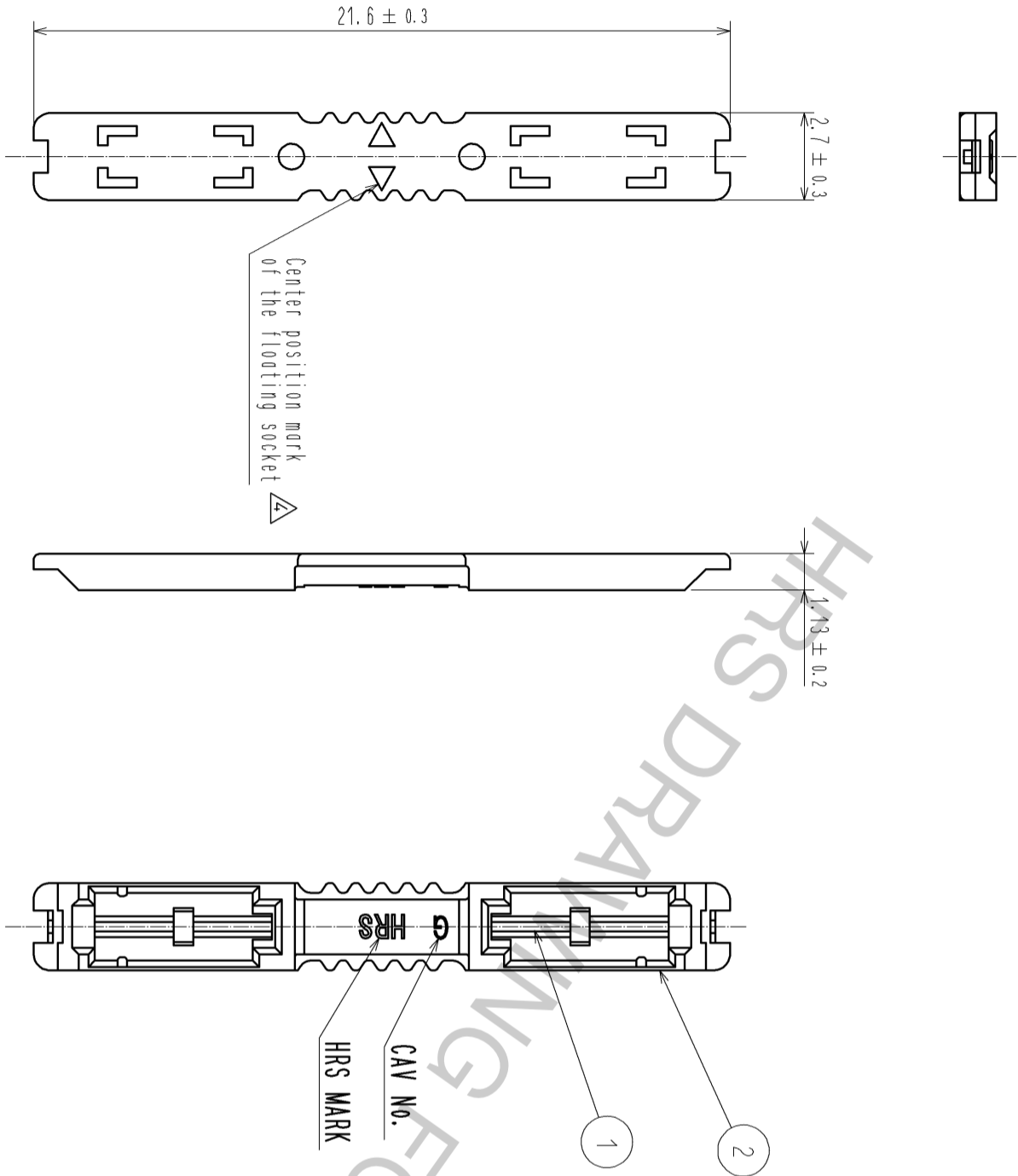
Contact us

Tel: +86-755-8981 8866 Fax: +86-755-8427 6832

Email & Skype: info@chipsmall.com Web: www.chipsmall.com

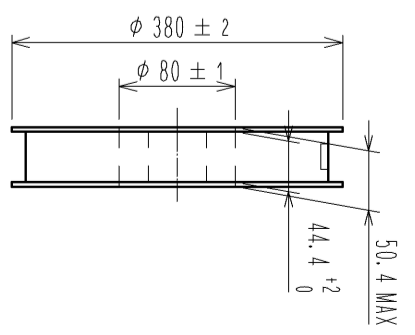
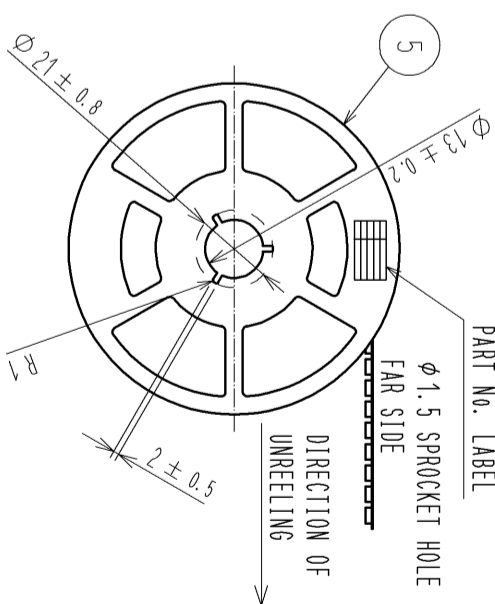
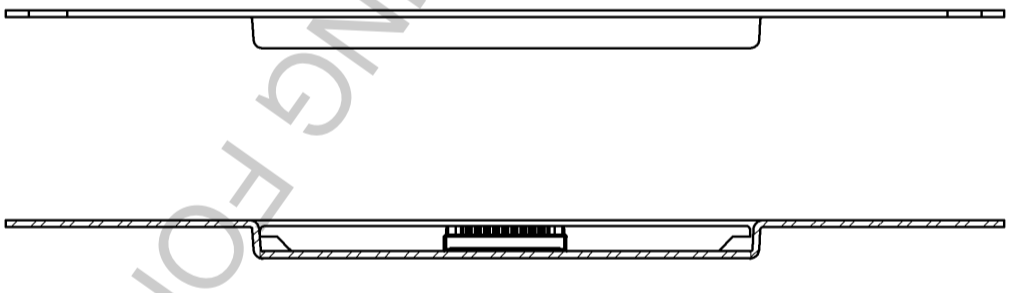
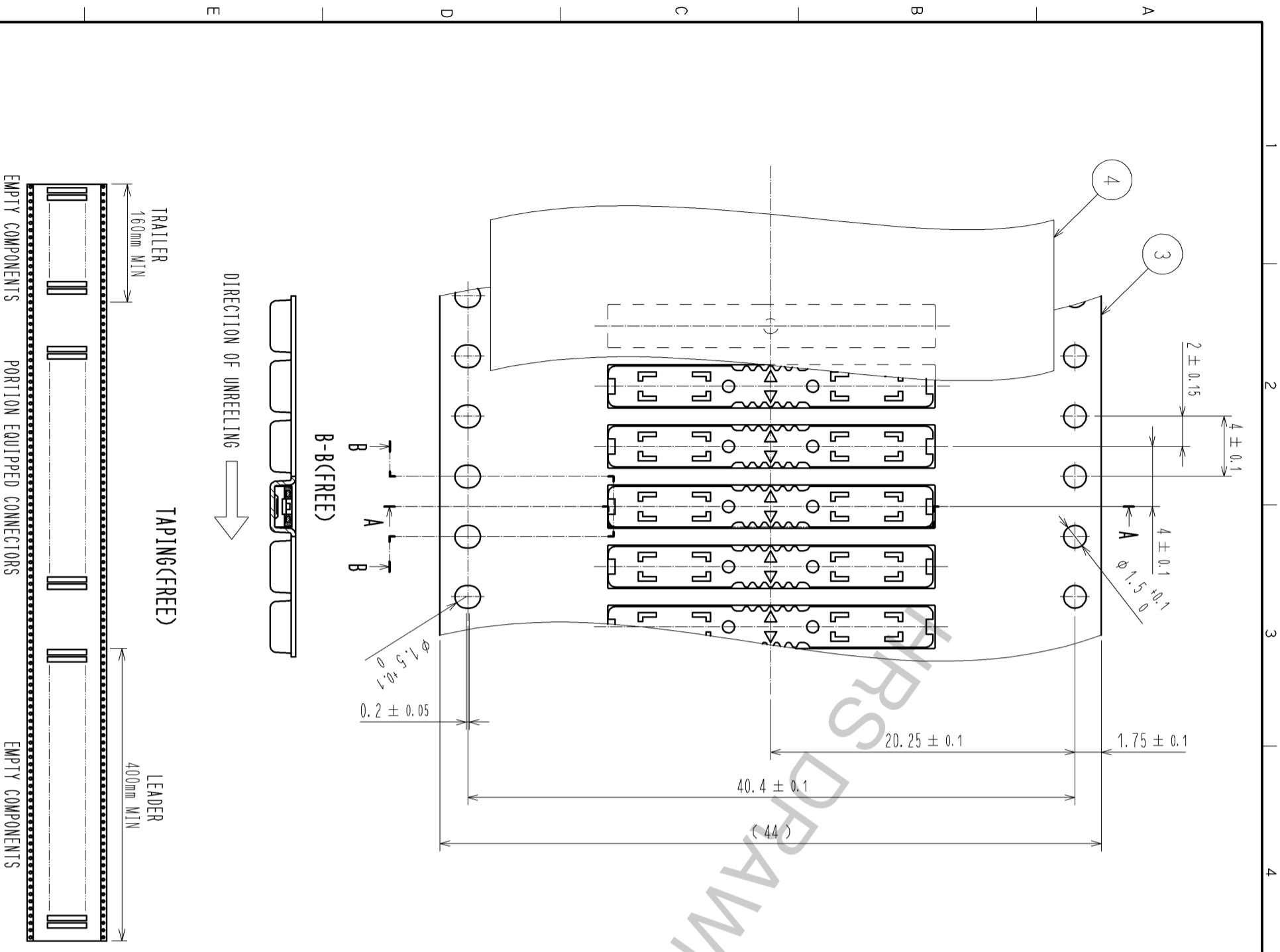
Address: A1208, Overseas Decoration Building, #122 Zhenhua RD., Futian, Shenzhen, China





NOTE1. REFER TO THE DF59S SERIES MATING/UNMATING OPERATION INSTRUCTION MANUAL (ETAD-H0651)
FOR THE OPERATING OF THE PRODUCT.

2	LCP	UL94V-0. BEIGE	5	PS	REEL, BLACK
1	BRASS	SURFACE:TIN PLATING 1.4μm MIN UNDER PLATING:Cu PLATING 0.34μm MIN	4	POLYESTER	CLEAR(COVER TAPE)
			3	PS	CLEAR(EMBOSSED CARRIER TAPE)
NO.	MATERIAL	FINISH . REMARKS	NO.	MATERIAL	FINISH . REMARKS
UNITS	SCALE	COUNT	DESCRIPTION OF REVISIONS	DESIGNED	CHECKED
mm	5 : 1	1	DIS-H-007568	MI. SAKIMURA	TS. KUMAZAWA
			APPROVED : KI. AKIYAMA	12.06.21	DRAWING NO.
			CHECKED : OM. MIYAMOTO	12.06.21	EDC3-342886-01
			DESIGNED : KI. ISHII	12.06.21	PART NO.
			DRAWN : KI. ISHII	12.06.21	DF59S-1P-FC(21)
					CL667-0023-3-21
					NO.
					1
					4



STYLE AND DIMENSION OF REEL(FREE)

DETAIL OF PART No. LABEL

生産月日	年	月	日
図番	CL667-0023-3-21		
品名	DF59S-1P-FC(21)		
納入数量	10000 K0		
納入者	ヒロセ電機(株)		

HIRS DRAWING FOR REFERENCE

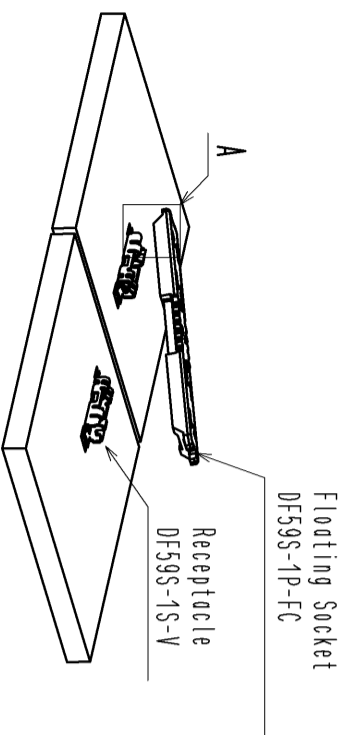
NOTE2. 1REEL:10000 CONNECTORS.
3. THE DIMENSIONS IN PARENTHESES ARE FOR REFERENCE.

HIRS	DRAWING NO.	EDC3-342886-01
	PART NO.	DF59S-1P-FC(21)
	CODE NO.	CL667-0023-3-21

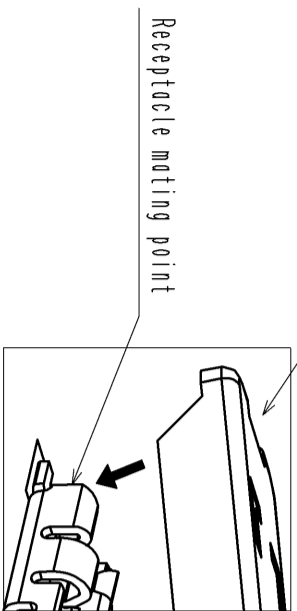
DF59S Operation Procedures for Floating Socket

《《Mating》》

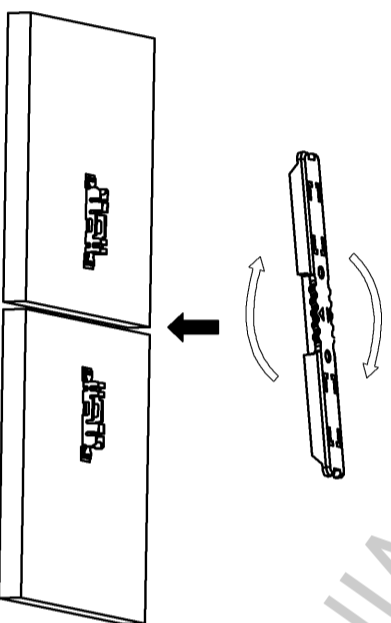
1. Place the floating socket at the tip on the receptacle mating point.



Floating socket at the tip
A(FREE)

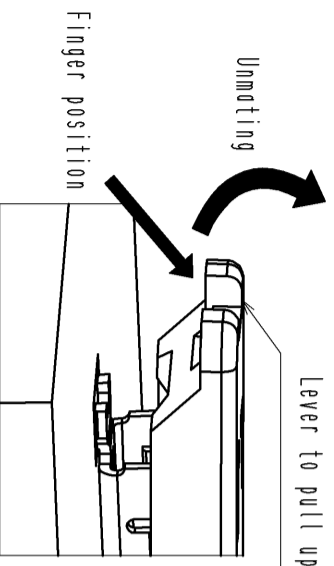
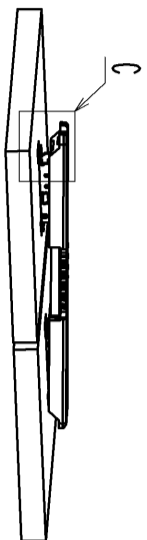


※Floating socket can be mating both directions.



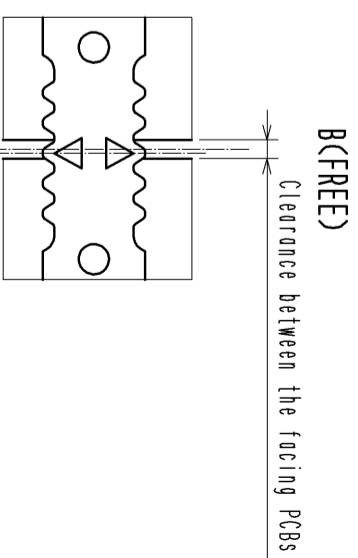
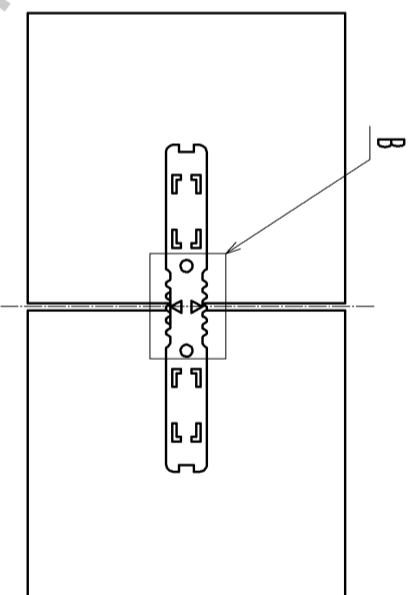
《《Unmating》》

1. Hook the lever on either sides of floating socket with finger and lift up to the upper direction for unlock. (Lift up until friction lock is released.)

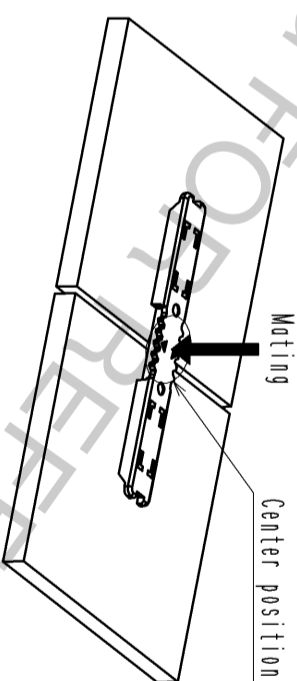


2. Align the center position of floating socket to the center position of the clearance between the facing PCBs in a line.

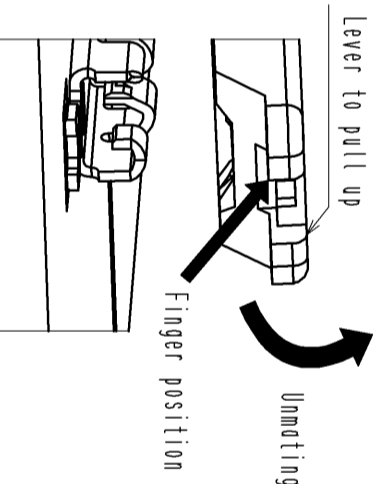
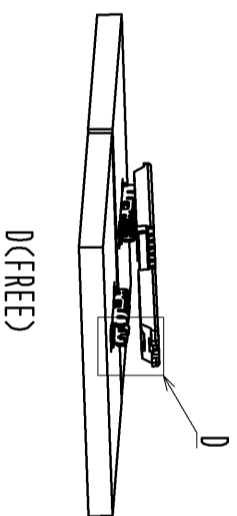
Press down at the center surface of the floating socket.



These center positions are in the same line.



2. After releasing either side, hook the lever on the other side with a finger and lift up to the upper direction, too.



HRS	
DRAWING NO.	EDC3-342886-01
PART NO.	DF59S-1P-FC(21)
CODE NO.	CL667-0023-3-21
	3/4

DF59S Dimension of floating

The dimension of floating at the time of using a floating socket is shown below.
Please use in the limits of dimension.

《Direction of X axis》

The dimension of floating of X direction is shown below.

Direction of X axis floating : +0.5mm

Normal mating

Direction of X axis floating : -0.5mm

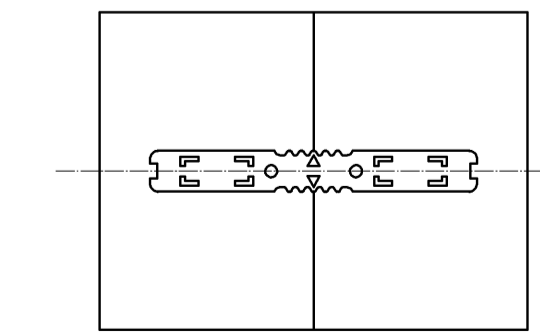
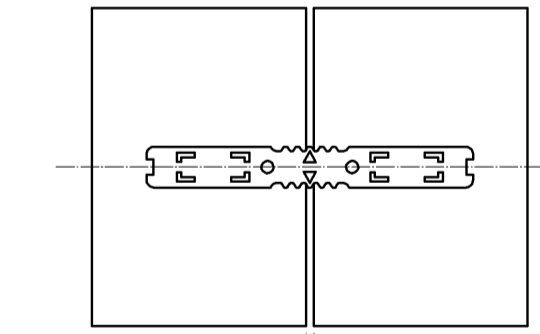
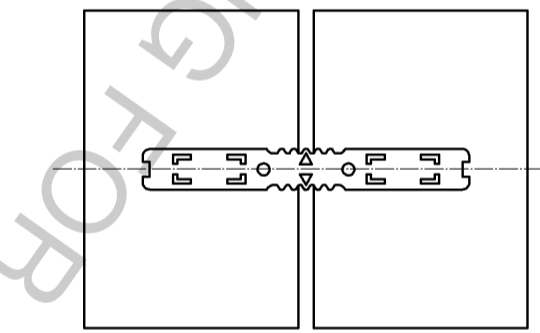
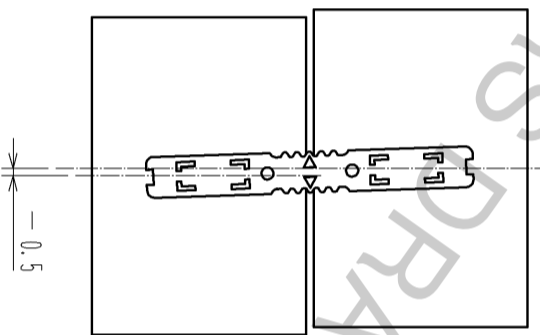
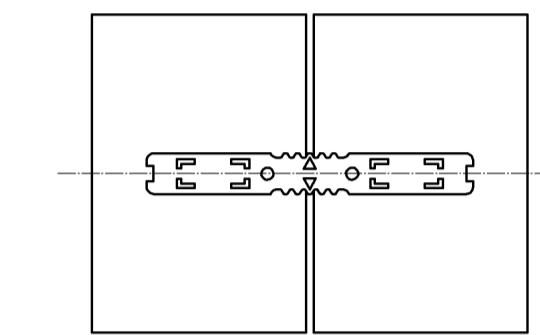
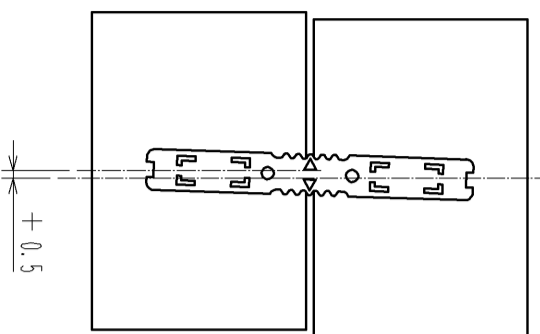
Direction of Y axis floating : +0.5mm

Normal mating

Direction of Y axis floating : -0.5mm

《Direction of Y axis》

The dimension of floating of Y direction is shown below.



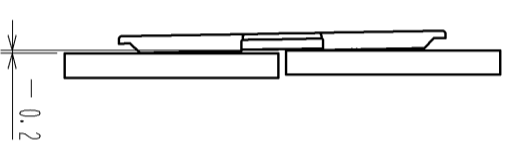
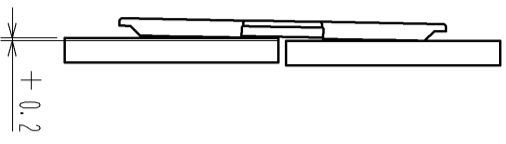
《Direction of Z axis》

The dimension of floating of Z direction is shown below.

Direction of Z axis floating : +0.2mm

Normal mating

Direction of Z axis floating : -0.2mm



HR5 DRAWING FOR REFERENCE

HR5	図番 :	EDC3-342886-01
	製品名 :	DF59S-1P-FCC(21)
製品コード :	CL667-0023-3-21	△ 4