



Chipsmall Limited consists of a professional team with an average of over 10 year of expertise in the distribution of electronic components. Based in Hongkong, we have already established firm and mutual-benefit business relationships with customers from,Europe,America and south Asia,supplying obsolete and hard-to-find components to meet their specific needs.

With the principle of “Quality Parts,Customers Priority,Honest Operation,and Considerate Service”,our business mainly focus on the distribution of electronic components. Line cards we deal with include Microchip,ALPS,ROHM,Xilinx,Pulse,ON,Everlight and Freescale. Main products comprise IC,Modules,Potentiometer,IC Socket,Relay,Connector.Our parts cover such applications as commercial,industrial, and automotives areas.

We are looking forward to setting up business relationship with you and hope to provide you with the best service and solution. Let us make a better world for our industry!



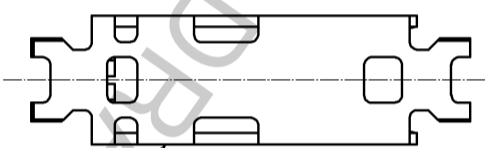
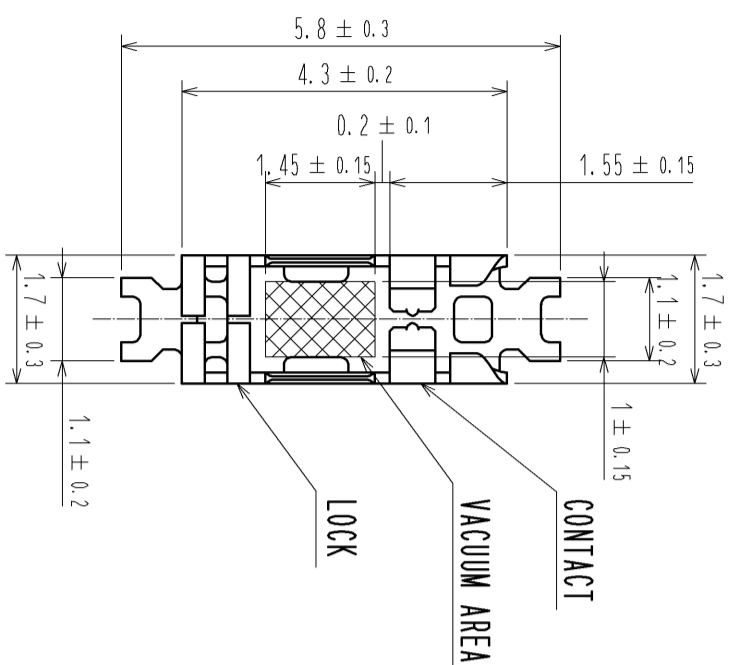
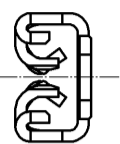
Contact us

Tel: +86-755-8981 8866 Fax: +86-755-8427 6832

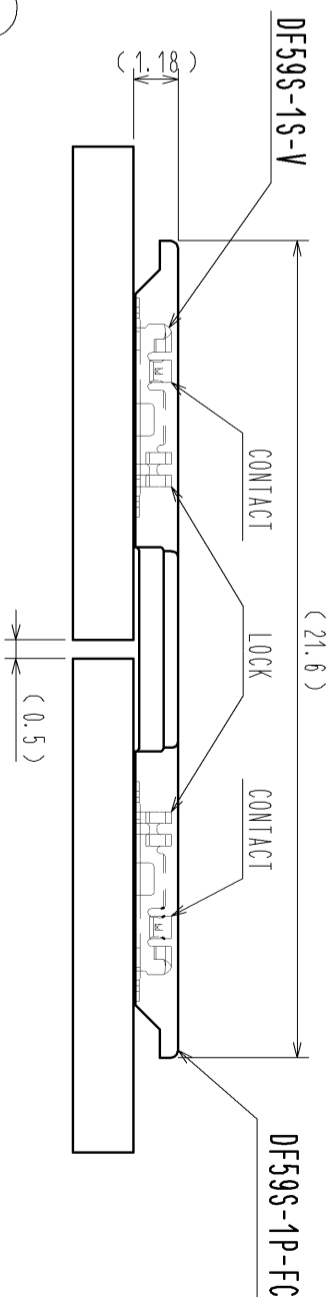
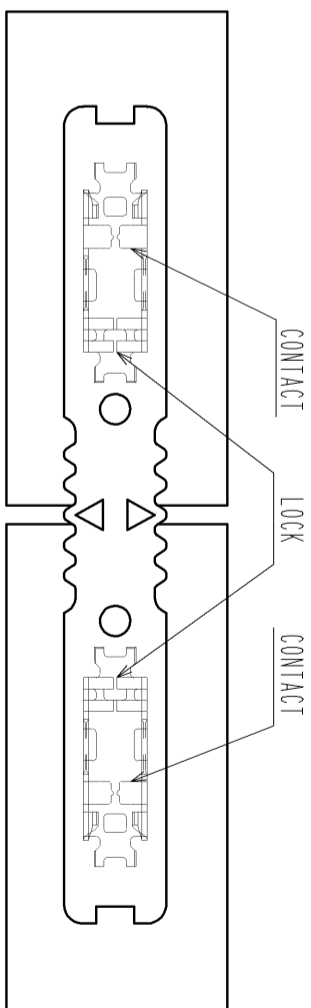
Email & Skype: info@chipsmall.com Web: www.chipsmall.com

Address: A1208, Overseas Decoration Building, #122 Zhenhua RD., Futian, Shenzhen, China

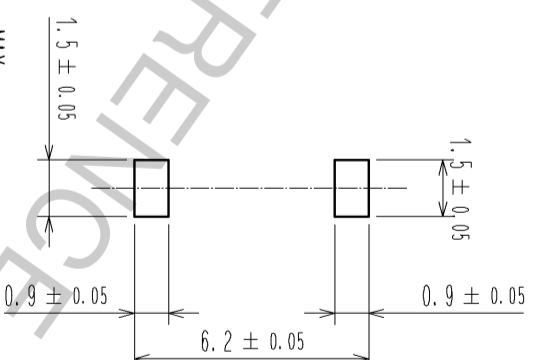




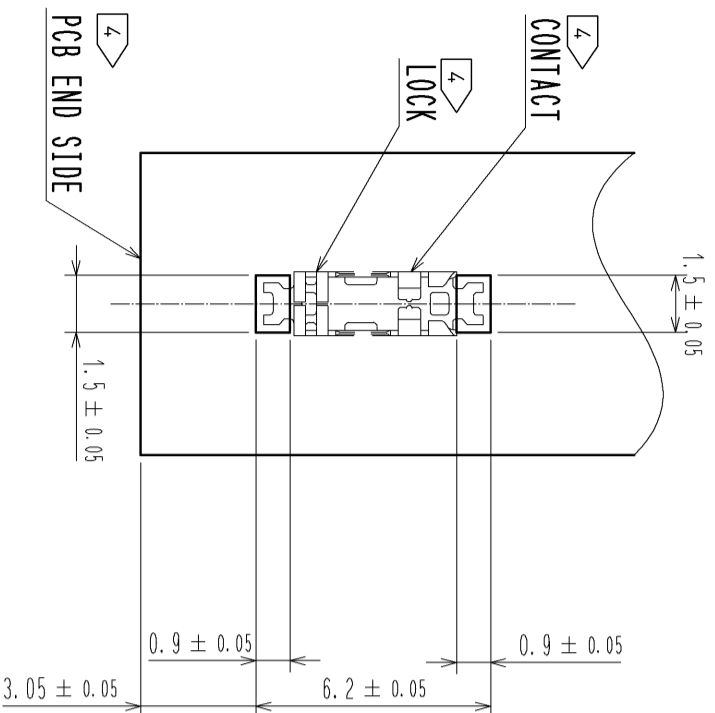
MATING FIGURE B10B (5:1)



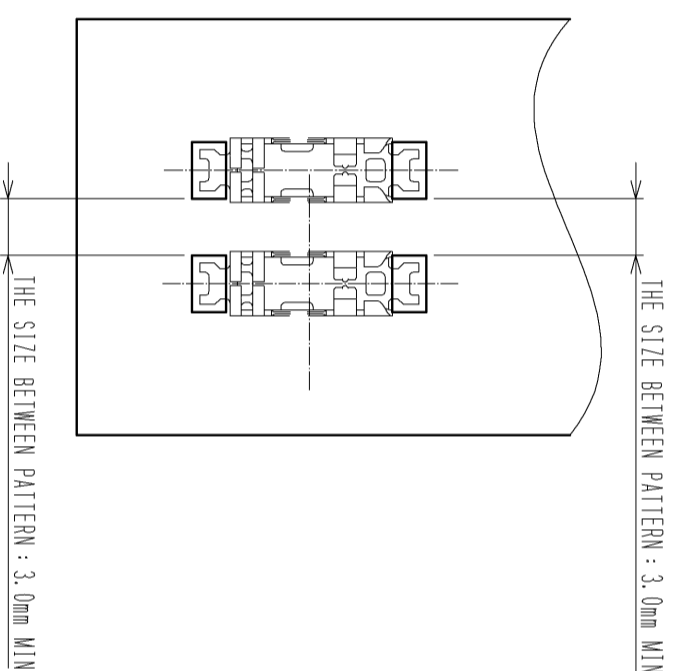
RECOMMENDED METAL MASK (FREE)
THICKNESS : 0.1mm



RECOMMENDED PCB LAYOUT(FREE)



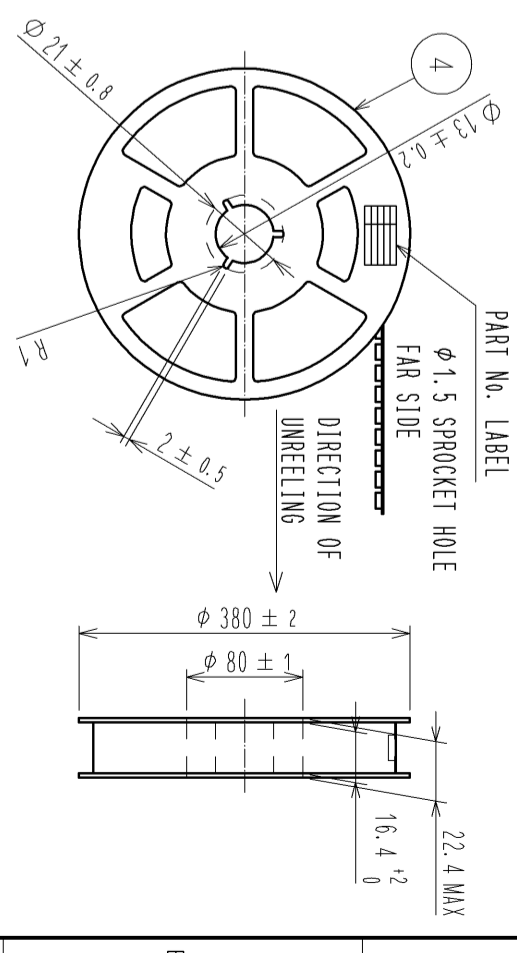
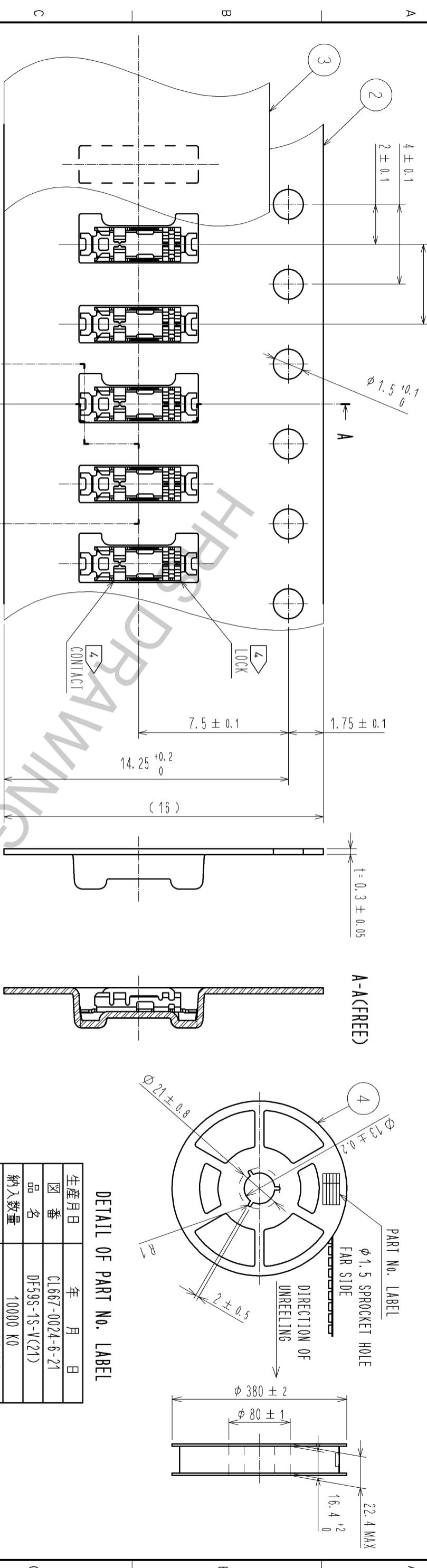
PARALLEL ARRANGEMENT RECOMMENDED PCB LAYOUT(FREE)



- NOTE1. LEAD CO-PLANARITY SHALL BE 0.1mm MAX.
 2. () IS REFERENCE DIMENSION.
 3. REFER TO THE DF59S SERIES MATING/UNMATING OPERATION INSTRUCTION MANUAL (ETA0-H0651) FOR THE OPERATING OF THE PRODUCT.
 4 THE LOCK SIDE MOUNTS TO THE DIRECTION OF PCB END SIDE.

NO.	1	PHOSPHOR BRONZE	SURFACE:TIN PLATING 1.4μm MIN UNDER PLATING:Cu PLATING 0.34μm MIN	NO.	2	PS	CLEARCOVER TAPE)
NO.	2	MATERIAL FINISH . REMARKS		NO.	3	PS	CLEAREMBOSSED CARRIER TAPE)
UNITS	mm	SCALE	5 : 1	NO.	4	PS	REEL, BLACK
		COUNT	2	DESCRIPTION OF REVISIONS		DESIGNED	CHECKED
		DIS-H-007549		MI. SAKIMURA		TS. KUMAZAWA	DATE
		APPROVED : KI. AKIYAMA		12.06.21		DRAWING	
		CHECKED : OM. MIYAMOTO		12.06.21		EDC3-342887-01	
		DESIGNED : KI. ISHII		12.06.20		PART NO.	
		DRAWN : KI. ISHII		12.06.20		DF59S-1S-V(21)	
						CODE	
						CL667-0024-6-21	
						NO.	
						1/2	

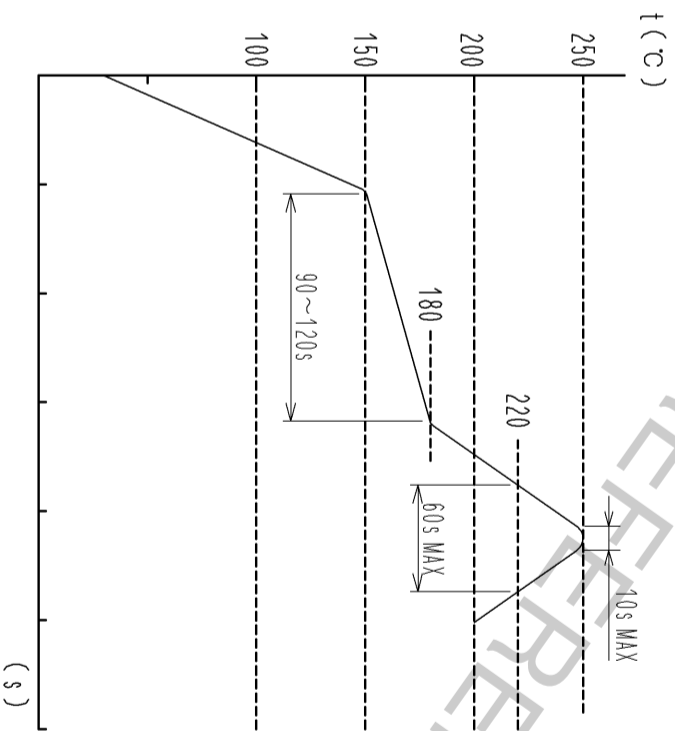
STYLE AND DIMENSION OF REEL(FREE)



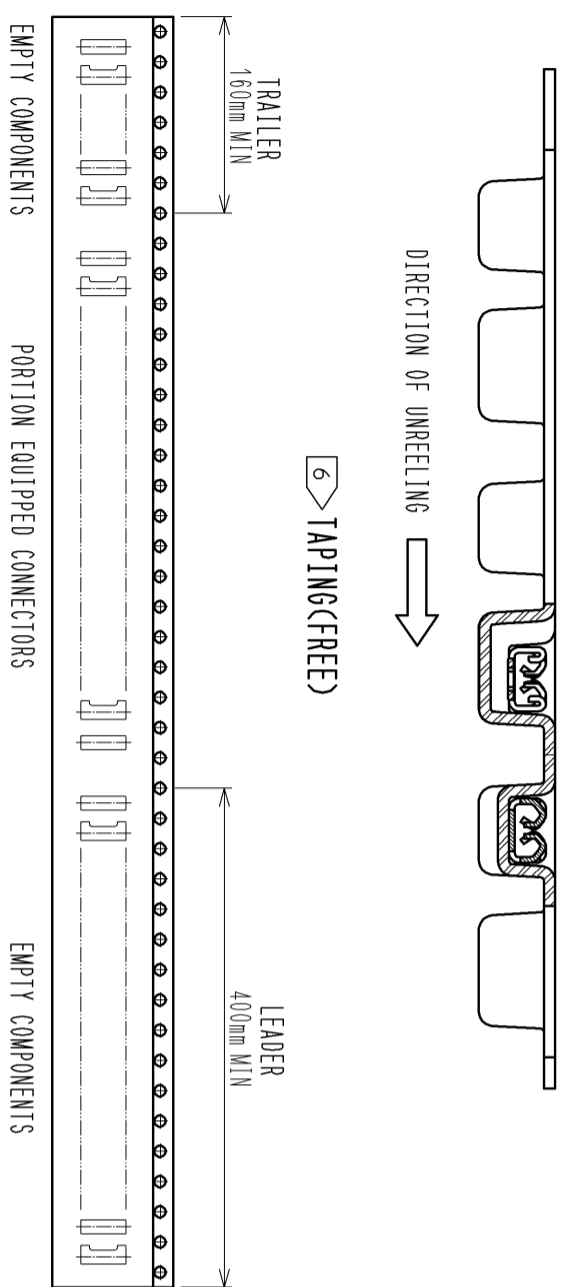
DETAIL OF PART NO. LABEL

生産月日	年	月	日
番	CL667-0024-6-21		
品名	DF59S-1S-V(21)		
納入数量	10000 K0		
納入者	ヒロセ電機(株)		

REFLOW TEMPERATURE PROFILE USING LEAD-FREE SOLDER PASTE (REFERENCE)



NUMBER OF REFLOW CYCLES 2 CYCLES MAX
 THE TEMPERATURE IS MEASURED IN THE TERMINAL LEAD PART.
 ADDITIONAL FACTORS, SUCH AS SOLDER PASTE TYPE,
 PCB SIZE AND OTHER MOUNTED COMPONENTS COULD AFFECT
 THE PROFILE.
 THEREFOR, A THOROUGH EVALUATION OF MOUNTING CONDITION IS
 REQUIRED PRIOR TO PRODUCTION.
 TEMPERATURE IS MEASURED AT CONTACT LEAD.



NOTES. 1. REEL: 10000 CONNECTORS.
 6 REEL TO JIS C 0806. (PACKAGING OF COMPONENTS FOR AUTOMATION HANDLING)
 7. THE DIMENSIONS IN PARENTHESES ARE FOR REFERENCE.