



Chipsmall Limited consists of a professional team with an average of over 10 year of expertise in the distribution of electronic components. Based in Hongkong, we have already established firm and mutual-benefit business relationships with customers from,Europe,America and south Asia,supplying obsolete and hard-to-find components to meet their specific needs.

With the principle of “Quality Parts,Customers Priority,Honest Operation,and Considerate Service”,our business mainly focus on the distribution of electronic components. Line cards we deal with include Microchip,ALPS,ROHM,Xilinx,Pulse,ON,Everlight and Freescale. Main products comprise IC,Modules,Potentiometer,IC Socket,Relay,Connector.Our parts cover such applications as commercial,industrial, and automotives areas.

We are looking forward to setting up business relationship with you and hope to provide you with the best service and solution. Let us make a better world for our industry!



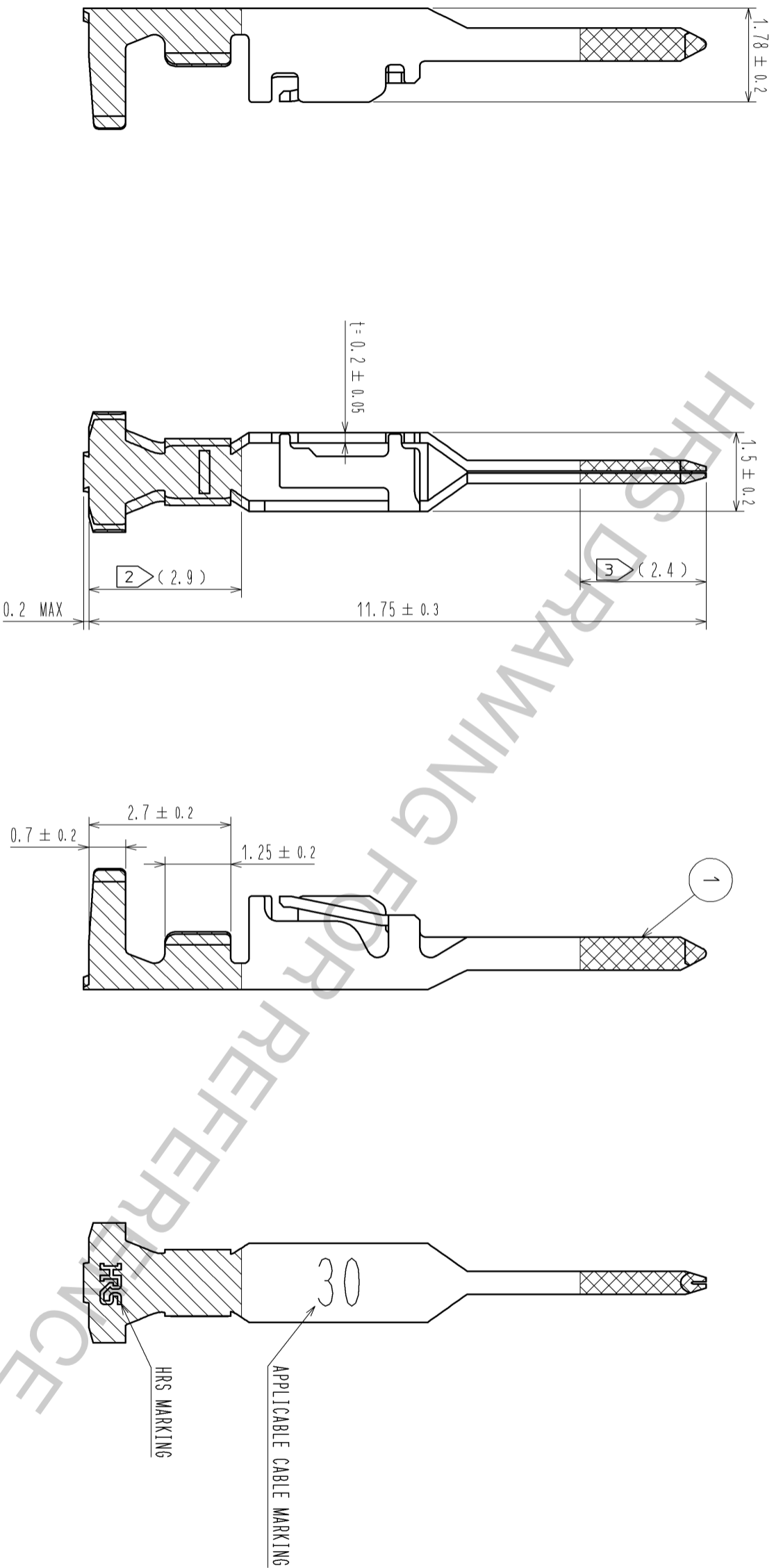
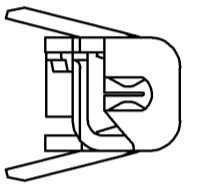
Contact us

Tel: +86-755-8981 8866 Fax: +86-755-8427 6832

Email & Skype: info@chipsmall.com Web: www.chipsmall.com

Address: A1208, Overseas Decoration Building, #122 Zhenhua RD., Futian, Shenzhen, China





NOTE 1. 1PACK: 100 CONTACTS
 2. TIN PLATING AREA.
 3. GOLD PLATING AREA.
 4. THE DIMENSIONS IN PARENTHESIS ARE FOR REFERENCE.

NO.	PHOSPHOR BRONZE	CONTACT AREA : GOLD PLATING 0.2 μ m MIN BARREL AREA : TIN PLATING 1 μ m MIN OTHERS : NICKEL PLATING 0.5 μ m MIN
1		

NO.	MATERIAL	FINISH . REMARKS	NO.	MATERIAL	FINISH . REMARKS
1	PHOSPHOR BRONZE	CONTACT AREA : GOLD PLATING 0.2 μ m MIN BARREL AREA : TIN PLATING 1 μ m MIN OTHERS : NICKEL PLATING 0.5 μ m MIN			

UNITS	SCALE	COUNT	DESCRIPTION OF REVISIONS	CHECKED	DATE
mm	10 : 1				

APPROVED	CHECKED	DESIGNED	DRAWN	CODE
KI. AKIYAMA	MN. KENJU	TO. HORII	TO. HORII	CL544-0531-2-00
12.07.21	12.07.21	12.07.20	12.07.20	

NO.	PART NO.	DRAWING NO.
	DF62-EP30PCA	EDC3-345111-00