



Chipsmall Limited consists of a professional team with an average of over 10 year of expertise in the distribution of electronic components. Based in Hongkong, we have already established firm and mutual-benefit business relationships with customers from,Europe,America and south Asia,supplying obsolete and hard-to-find components to meet their specific needs.

With the principle of “Quality Parts,Customers Priority,Honest Operation,and Considerate Service”,our business mainly focus on the distribution of electronic components. Line cards we deal with include Microchip,ALPS,ROHM,Xilinx,Pulse,ON,Everlight and Freescale. Main products comprise IC,Modules,Potentiometer,IC Socket,Relay,Connector.Our parts cover such applications as commercial,industrial, and automotives areas.

We are looking forward to setting up business relationship with you and hope to provide you with the best service and solution. Let us make a better world for our industry!



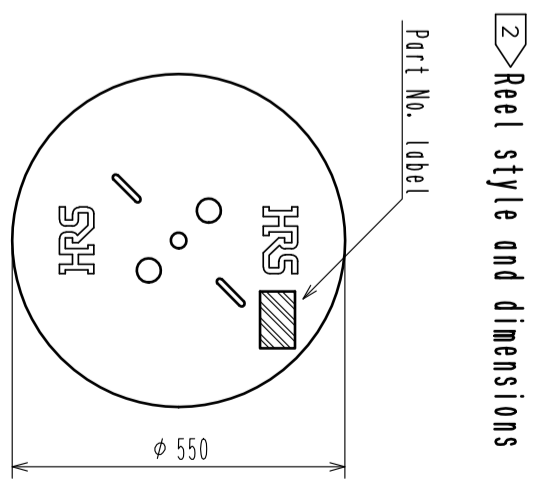
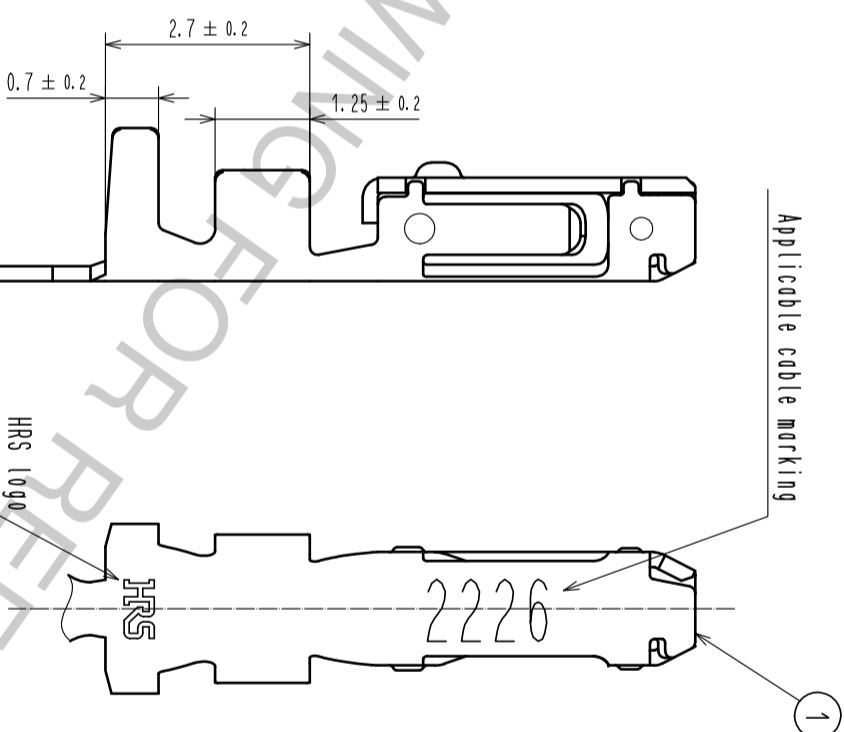
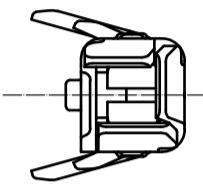
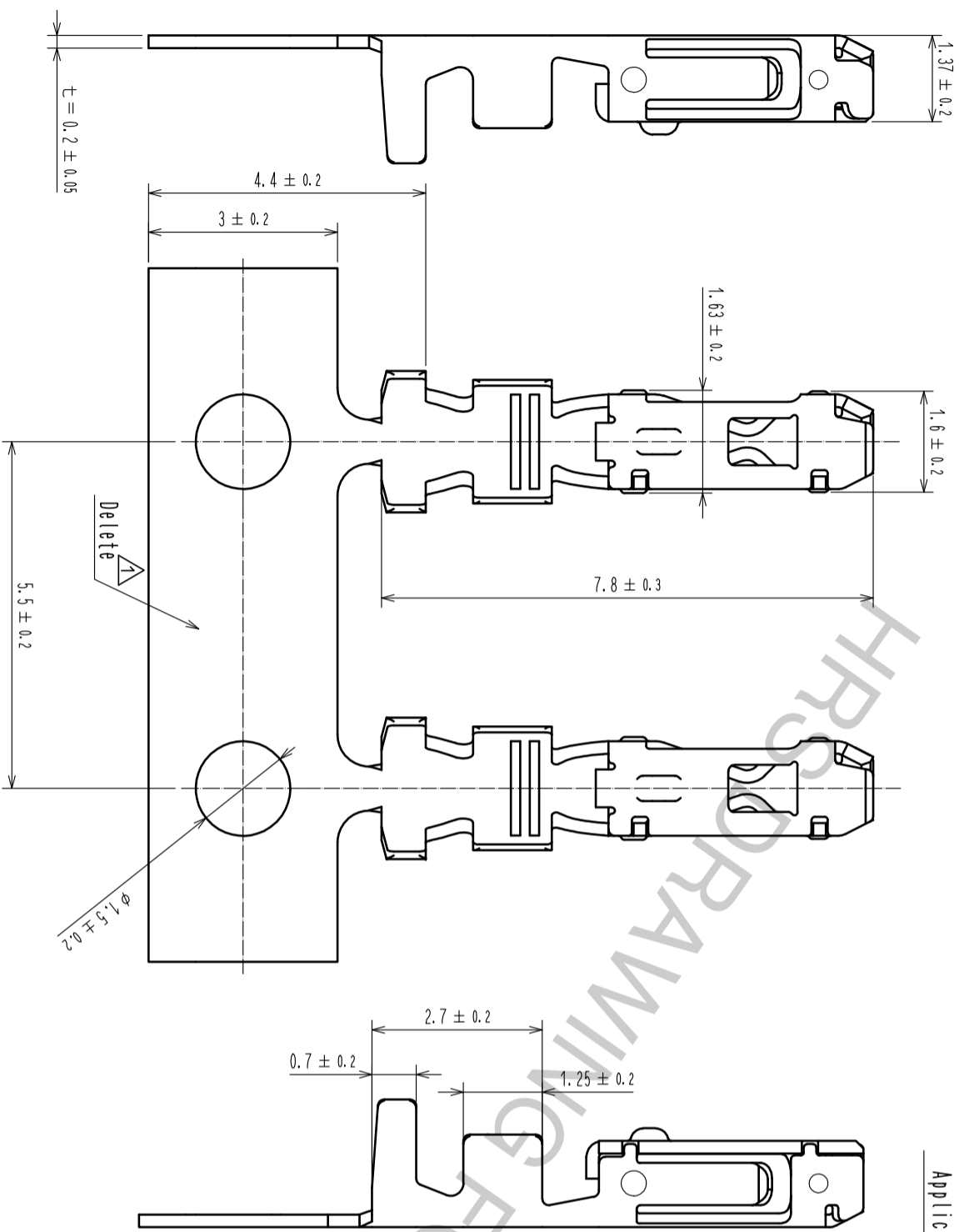
Contact us

Tel: +86-755-8981 8866 Fax: +86-755-8427 6832

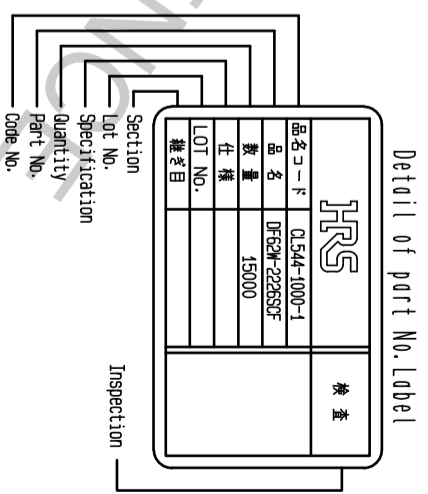
Email & Skype: info@chipsmall.com Web: www.chipsmall.com

Address: A1208, Overseas Decoration Building, #122 Zhenhua RD., Futian, Shenzhen, China





2 Reel style and dimensions



Notes

1. 1RL : 15000 contacts.
2. Style of reel and box are shown in figure.
3. Up to 5 reels are packed up in one box.
4. Please be sure to check the form of crimping using a cable when you adjust applicator.
5. Always refer to the manuals below for operation of this product.
For Cable assembly / Cable assembly procedure ETAD-H0760
For Mating/Unmating / Operation manual ETAD-H0761

NO.	MATERIAL	FINISH . REMARKS	NO.	MATERIAL	FINISH . REMARKS
1	Phosphor bronze	Tin plating : 1.4μm MIN			

UNITS	SCALE	COUNT	DESCRIPTION OF REVISIONS	DESIGNED	CHECKED	DATE
mm	10 : 1	1	DIS-H-00001433	YK.YAMAGUCHI	TS.FUKUSHIMA	16.03.03

APPROVED	CHECKED	DESIGNED	DRAWING	NO.	PART NO.	CODE
KI.AKIYAMA	MM.KENJUO	KT.ISHII	14.01.15	EDC-353515-00-00	DF62W-2226SCF	CL544-1000-1-00

NO.	SECTION	SPECIFICATION	QUANTITY	PART NO.	CODE NO.
1	Lot No.	DF62W-2226SCF	15000		

品名コード	品名	数量	仕様	検査目
CL544-1000-1	DF62W-2226SCF	15000		

品名	数量	仕様	検査目
CL544-1000-1	15000		