



Chipsmall Limited consists of a professional team with an average of over 10 year of expertise in the distribution of electronic components. Based in Hongkong, we have already established firm and mutual-benefit business relationships with customers from,Europe,America and south Asia,supplying obsolete and hard-to-find components to meet their specific needs.

With the principle of “Quality Parts,Customers Priority,Honest Operation,and Considerate Service”,our business mainly focus on the distribution of electronic components. Line cards we deal with include Microchip,ALPS,ROHM,Xilinx,Pulse,ON,Everlight and Freescale. Main products comprise IC,Modules,Potentiometer,IC Socket,Relay,Connector.Our parts cover such applications as commercial,industrial, and automotives areas.

We are looking forward to setting up business relationship with you and hope to provide you with the best service and solution. Let us make a better world for our industry!



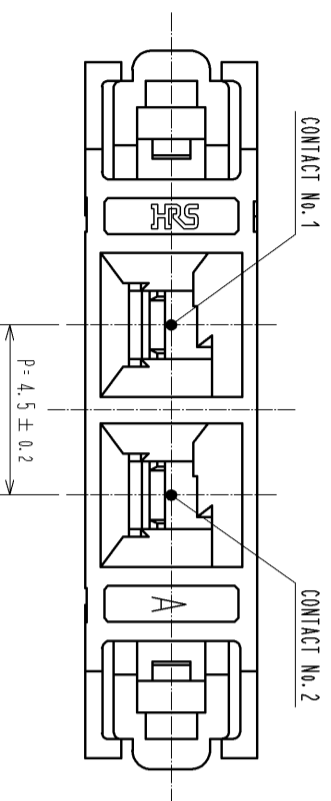
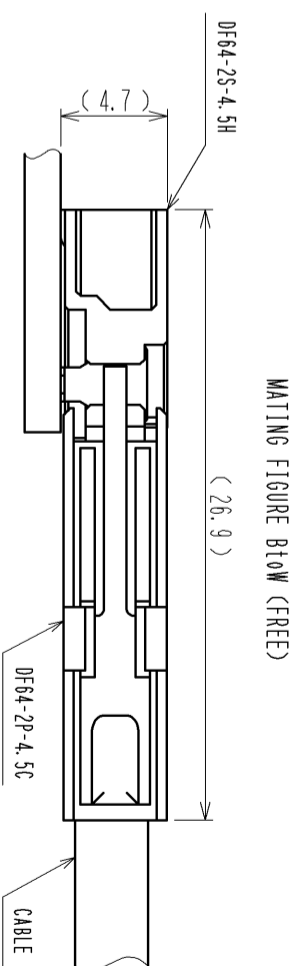
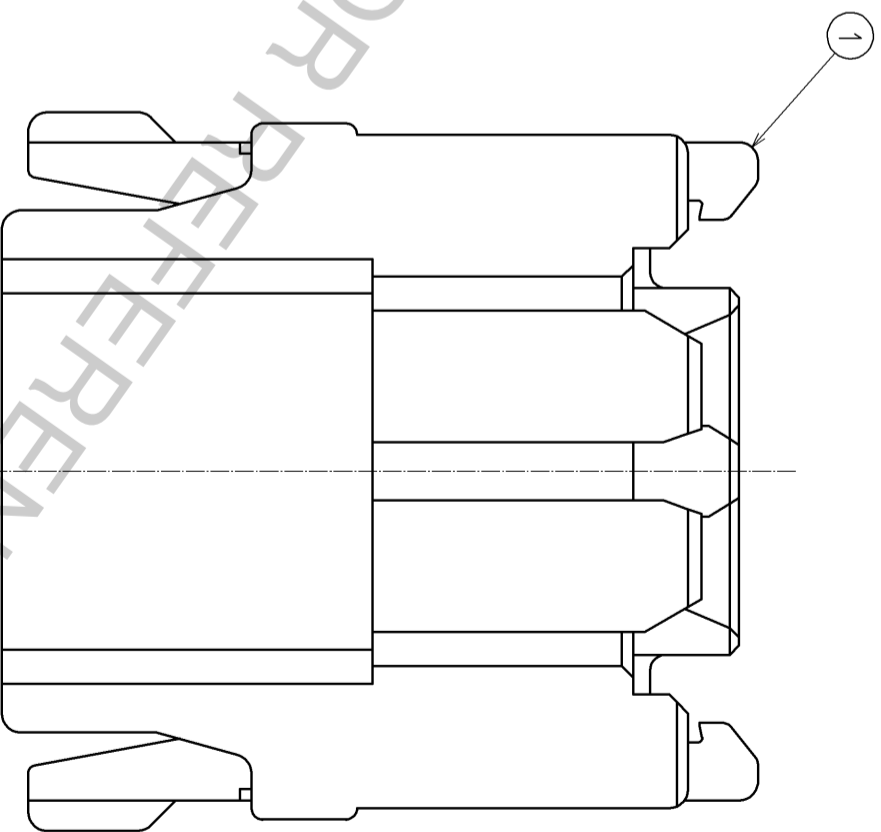
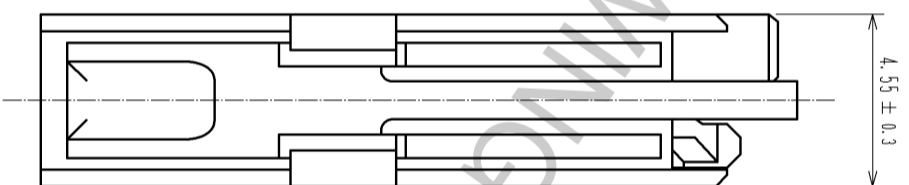
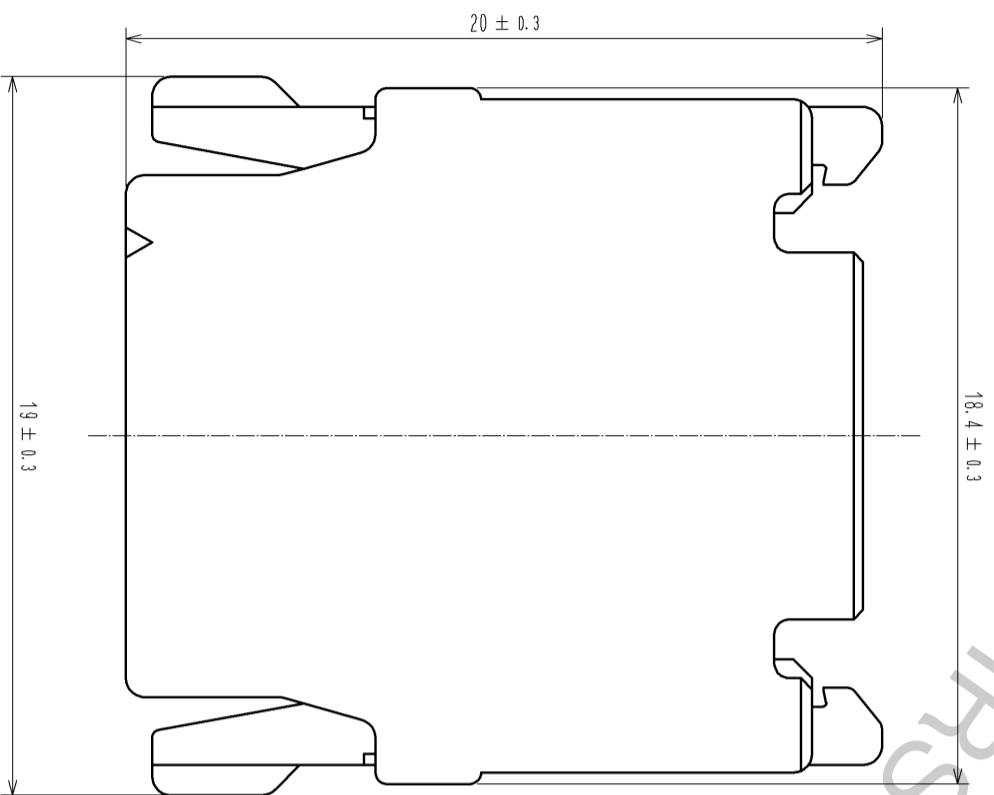
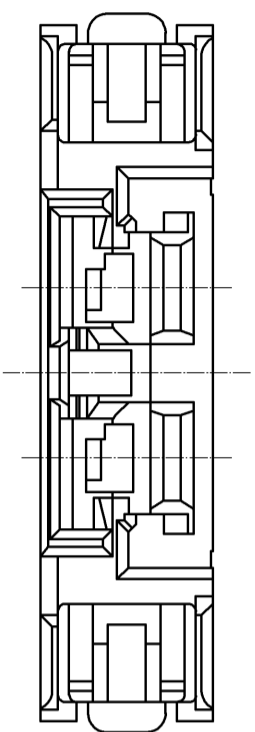
Contact us

Tel: +86-755-8981 8866 Fax: +86-755-8427 6832

Email & Skype: info@chipsmall.com Web: www.chipsmall.com

Address: A1208, Overseas Decoration Building, #122 Zhenhua RD., Futian, Shenzhen, China





NOTE 1. () IS REFERENCE DIMENSION.
 2. REFER TO THE DF64 SERIES MATING/UNMATING OPERATION INSTRUCTION MANUAL (E1AD-H0748) FOR THE OPERATING OF THE PRODUCT.
 3. UL/ULC(FILE NO.E52653) APPROVED PRODUCT.



NO.	MATERIAL	FINISH .	REMARKS
1	LCP	NATURAL, UL94V-0	

UNITS	SCALE	COUNT	DESCRIPTION OF REVISIONS	DESIGNED	CHECKED	DATE
mm	5 : 1	1	DIS-H-008279	TS.MIYAKI	OM.MIYAMOTO	13.11.06
APPROVED : KI.AKIYAMA			13.08.07	13.08.07	EDC3-347651-00	
CHECKED : OM.MIYAMOTO			13.08.07	13.08.07	DF64-2P-4.5C	
DESIGNED : TS.MIYAKI			13.08.07	13.08.07		
DRAWN : TS.MIYAKI			13.08.07	13.08.07		

HRS
 HIROSE
 ELECTRIC
 CO., LTD.

CL667-1003-1-00