



Chipsmall Limited consists of a professional team with an average of over 10 year of expertise in the distribution of electronic components. Based in Hongkong, we have already established firm and mutual-benefit business relationships with customers from,Europe,America and south Asia,supplying obsolete and hard-to-find components to meet their specific needs.

With the principle of “Quality Parts,Customers Priority,Honest Operation,and Considerate Service”,our business mainly focus on the distribution of electronic components. Line cards we deal with include Microchip,ALPS,ROHM,Xilinx,Pulse,ON,Everlight and Freescale. Main products comprise IC,Modules,Potentiometer,IC Socket,Relay,Connector.Our parts cover such applications as commercial,industrial, and automotives areas.

We are looking forward to setting up business relationship with you and hope to provide you with the best service and solution. Let us make a better world for our industry!



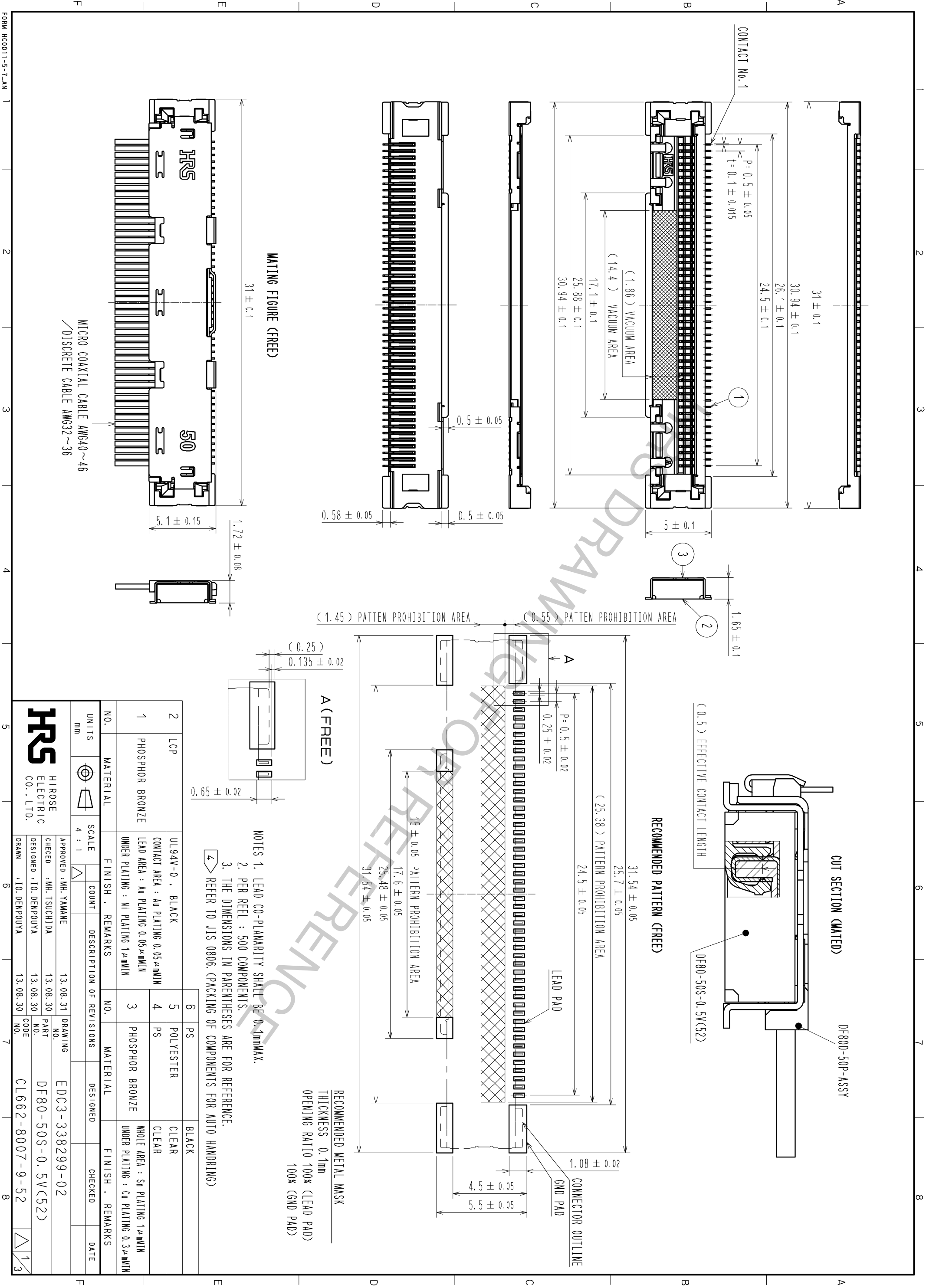
Contact us

Tel: +86-755-8981 8866 Fax: +86-755-8427 6832

Email & Skype: info@chipsmall.com Web: www.chipsmall.com

Address: A1208, Overseas Decoration Building, #122 Zhenhua RD., Futian, Shenzhen, China

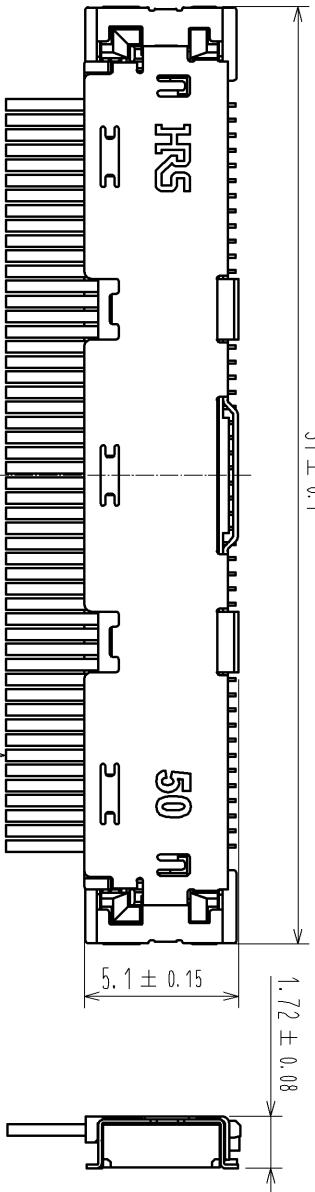




MATING FIGURE (FREE)

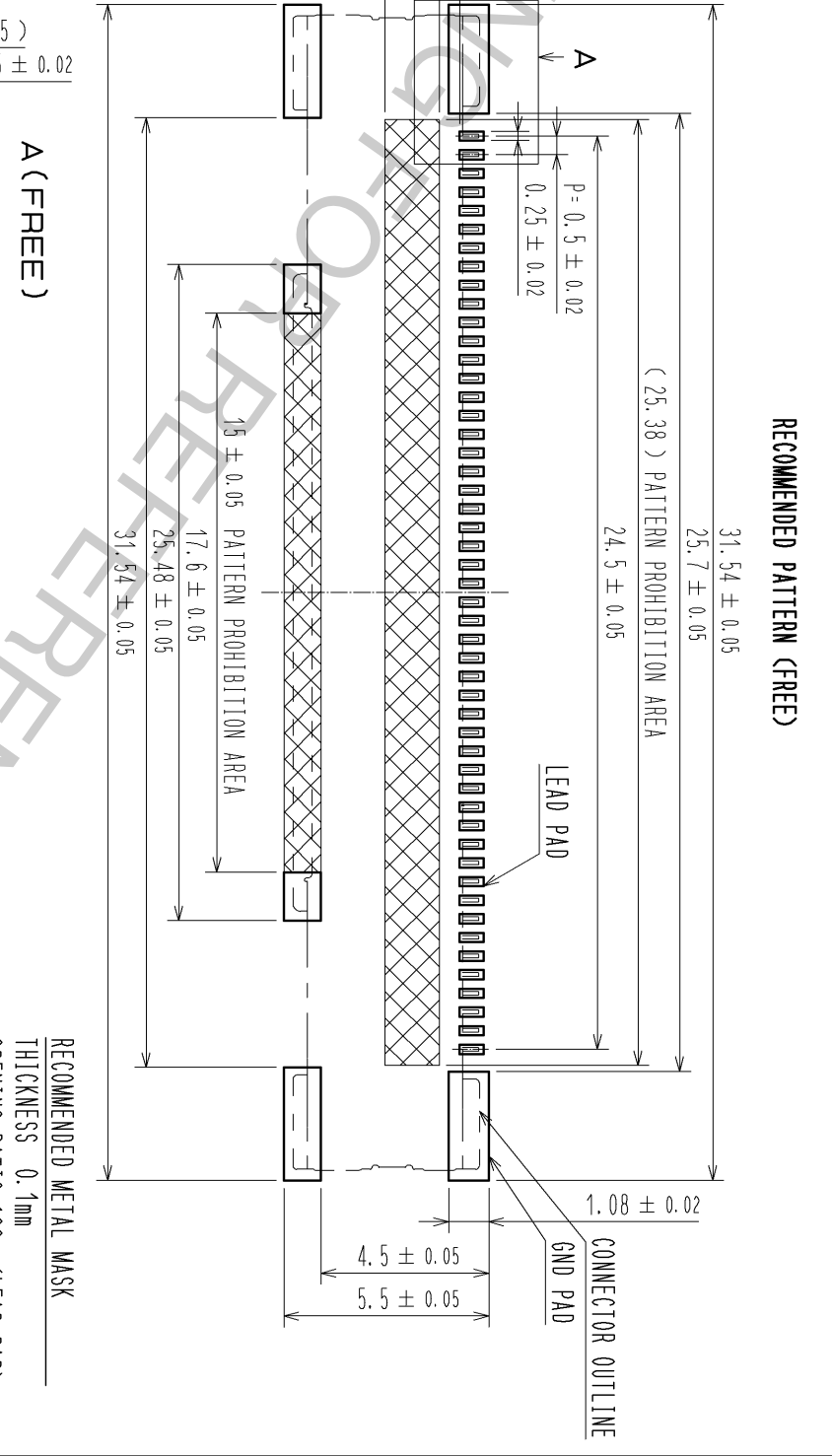
31 ± 0.1

MICRO COAXIAL CABLE AWG40~46
/ DISCRETE CABLE AWG32~36

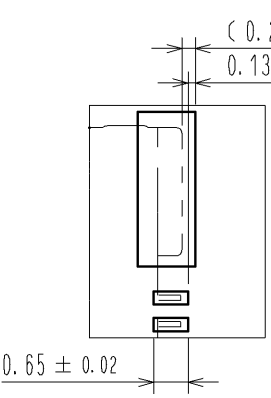


(1.45) PATTEN PROHIBITION AREA

(0.55) PATTEN PROHIBITION AREA



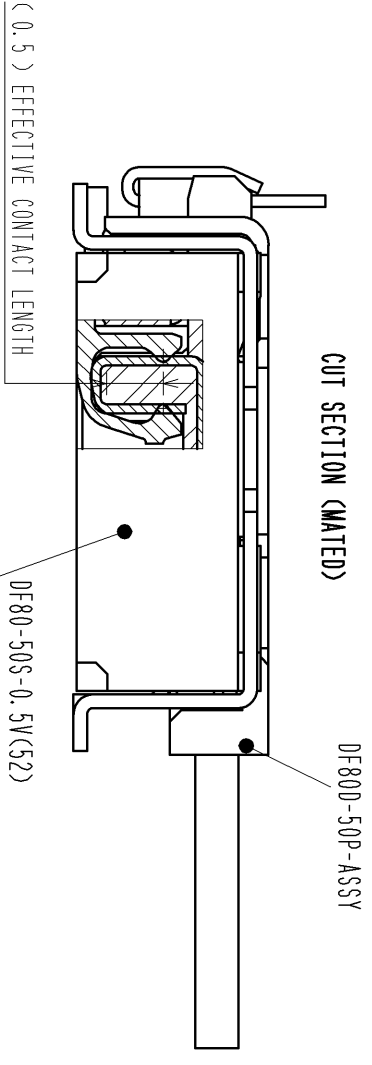
A (FREE)



- NOTES
1. LEAD CO-PLANARITY SHALL BE 0.1mmMAX.
 2. PER REEL : 500 COMPONENTS.
 3. THE DIMENSIONS IN PARENTHESES ARE FOR REFERENCE.
 4. REFER TO JIS 0806. (PACKING OF COMPONENTS FOR AUTO HANDRING)

RECOMMENDED METAL MASK
THICKNESS 0.1mm
OPENING RATIO 100% (LEAD PAD)
100% (GND PAD)

RECOMMENDED PATTERN (FREE)



CUT SECTION (MATED)

DF80-50P-ASSY

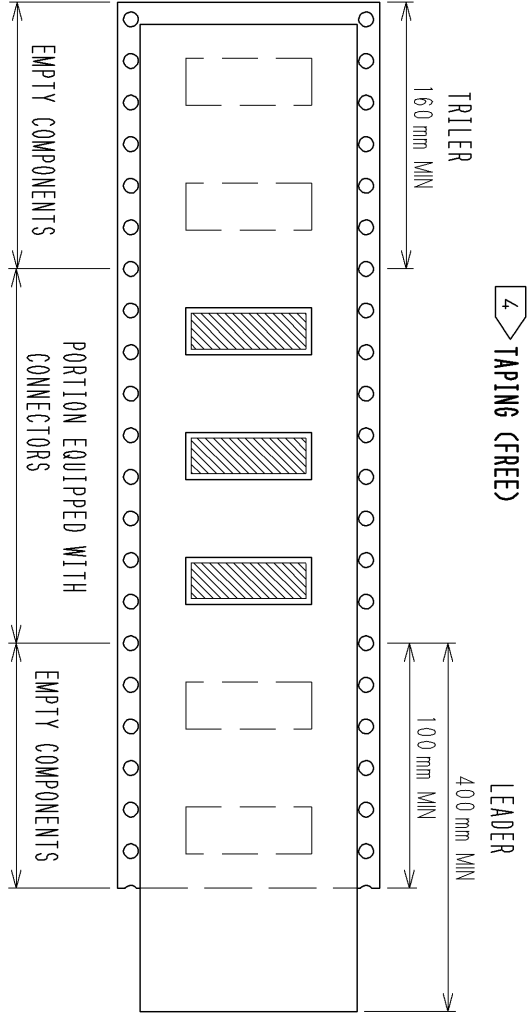
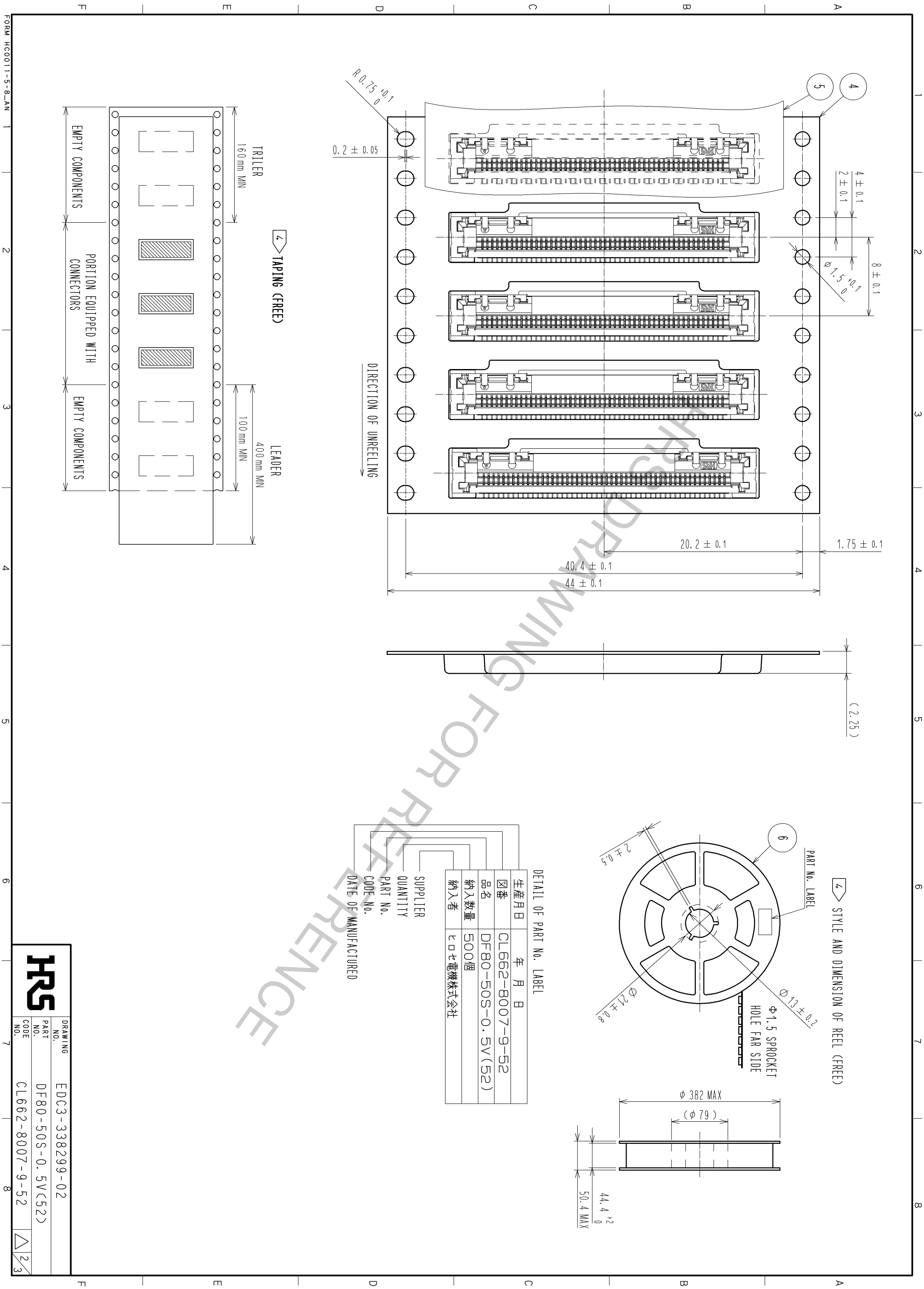
UNITS	mm	SCALE	4 : 1	COUNT	DESCRIPTION OF REVISIONS	DESIGNED	CHECKED	DATE	
	mm	4 : 1							
NO.	1	PHOSPHOR BRONZE		NO.	REMARKS	NO.	MATERIAL	FINISH . REMARKS	
	2	LCP							3
CONTACT AREA : Au PLATING 0.05μmMIN		LEAD AREA : Au PLATING 0.05μmMIN		UNDER PLATING : Ni PLATING 1μmMIN		WHOLE AREA : Sn PLATING 1μmMIN		UNDER PLATING : Cu PLATING 0.3μmMIN	
MATERIAL		FINISH . REMARKS		NO.		MATERIAL		FINISH . REMARKS	
6		PS	BLACK			6		PS	BLACK
5		POLYESTER	CLEAR			5		POLYESTER	CLEAR
4		PS	CLEAR			4		PS	CLEAR
3		PHOSPHOR BRONZE				3		PHOSPHOR BRONZE	
2		LCP				2		LCP	
1		PHOSPHOR BRONZE				1		PHOSPHOR BRONZE	

HIROSE ELECTRIC CO., LTD.

APPROVED : MH. YAMANE
CHECKED : MH. TSUCHIDA
DESIGNED : IO. DENPOUYA
DRAWN : IO. DENPOUYA

13.08.31
13.08.30
13.08.30
13.08.30

EDC3-338299-02
DF80-50S-0.5V(52)
CL662-8007-9-52



DETAIL OF PART No. LABEL

生産月日	年月日
箱番	CL662-8007-9-52
品名	DF80-50S-0.5V(52)
納入数量	500個
納入者	ヒロセ電機株式会社
SUPPLIER	
QUANTITY	
PART No.	
CODE No.	
DATE OF MANUFACTURED	

HRS

DRAWING NO.	EDC3-338299-02
PART NO.	DF80-50S-0.5V(52)
CODE NO.	CL662-8007-9-52

2/3

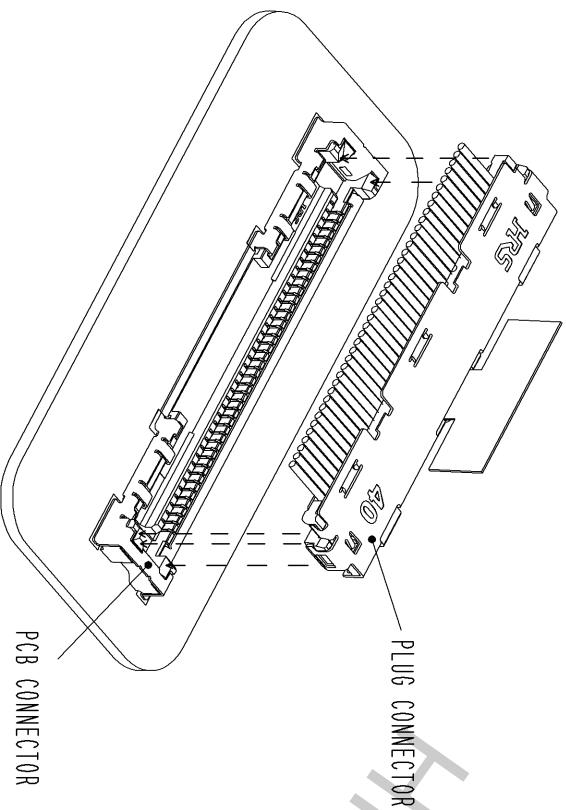
FORM HC0011-5-8-AN

- [CONNECTOR INSERTION]**
1. ALIGN THE PLUG CONNECTOR TO THE GUIDES ON PCB CONNECTOR AND INSERT.
 2. APPLY EVEN FORCE TO THE PLUG CONNECTOR SURFACE AND FEEL TACTILE CLICK FOR COMPLETE LOCK.

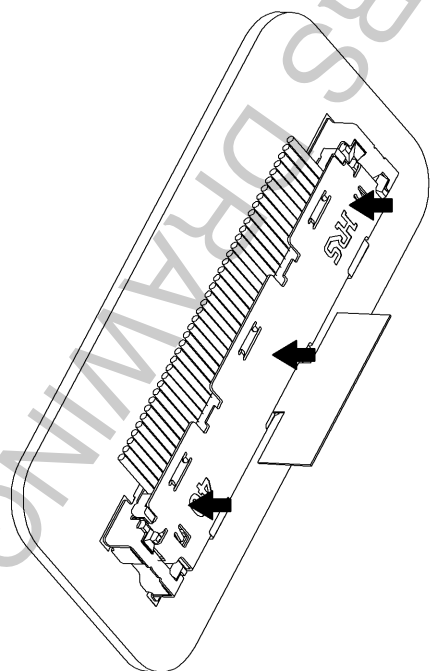
SUPPLEMENTATION

TOTAL HEIGHT IS KEPT WITHIN THE HEIGHT OF MATED CONNECTORS BY LAYING DOWN THE PULL TAB AS SHOWN.

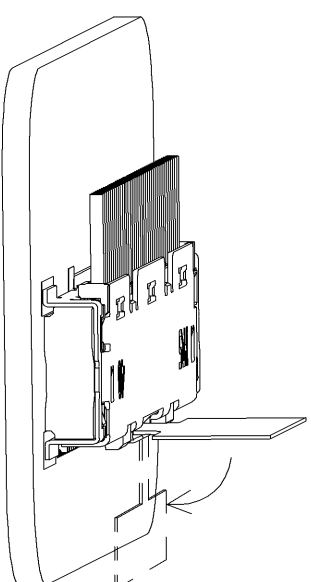
PROCEDURE 1



PROCEDURE 2



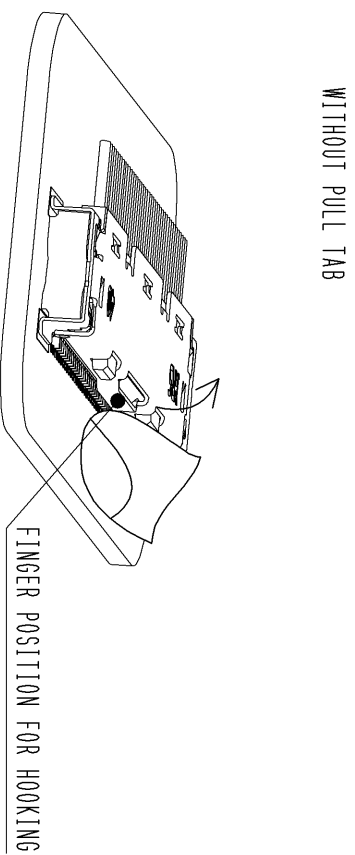
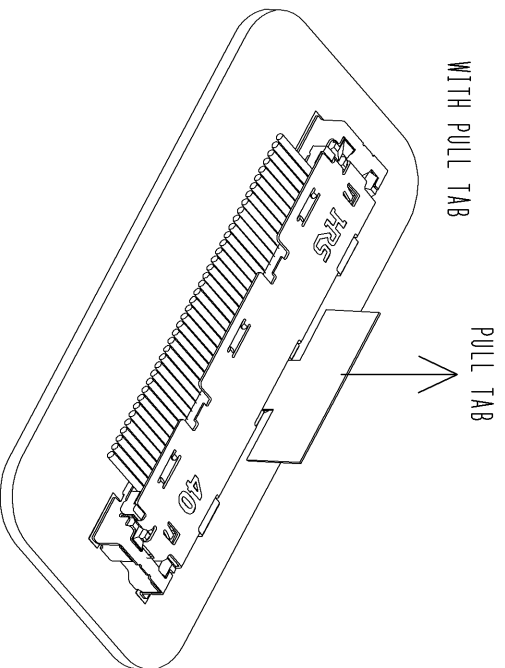
SUPPLEMENTATION :
METHOD OF STORING PULL TAB



[CONNECTOR WITHDRAWAL]

<WITH PULL TAB>
BY PULLING UP THE TAB TO THE DIRECTION INDICATED WITH THE ARROW , PLUG CONNECTOR IS RELEASED.

<WITHOUT PULL TAB>
BY HOOKING THE PLUG CONNECTOR AT THE POSITION SHOWN WITH FINGER AND PULLING UP. PLUG CONNECTOR IS RELEASED.



DRS	DRAWING NO.	EDC3-338299-02
	PART NO.	DF80-50S-0.5V(522)
	CODE NO.	CL662-8007-9-52
		3/3