



Chipsmall Limited consists of a professional team with an average of over 10 year of expertise in the distribution of electronic components. Based in Hongkong, we have already established firm and mutual-benefit business relationships with customers from,Europe,America and south Asia,supplying obsolete and hard-to-find components to meet their specific needs.

With the principle of “Quality Parts,Customers Priority,Honest Operation,and Considerate Service”,our business mainly focus on the distribution of electronic components. Line cards we deal with include Microchip,ALPS,ROHM,Xilinx,Pulse,ON,Everlight and Freescale. Main products comprise IC,Modules,Potentiometer,IC Socket,Relay,Connector.Our parts cover such applications as commercial,industrial, and automotives areas.

We are looking forward to setting up business relationship with you and hope to provide you with the best service and solution. Let us make a better world for our industry!



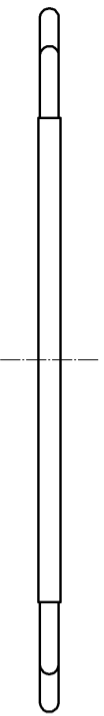
Contact us

Tel: +86-755-8981 8866 Fax: +86-755-8427 6832

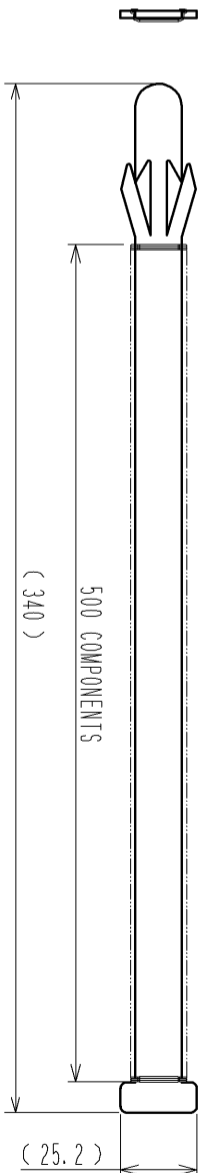
Email & Skype: info@chipsmall.com Web: www.chipsmall.com

Address: A1208, Overseas Decoration Building, #122 Zhenhua RD., Futian, Shenzhen, China



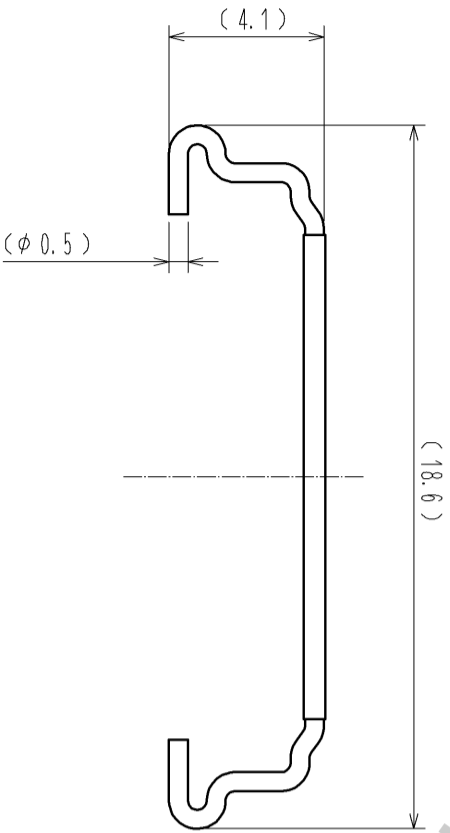


STICK STATE DRAWING (FREE)



NOTES

1. PER BOX: 1 STICKS. PER STICK: 500 COMPONENTS.
(1 BOX = 1 STICKS = 500 COMPONENTS)
2. THE DETAILS OF THE LABEL ARE SHOWN BELOW.
3. THE ASSEMBLY IS COMPLETED BY COMBINING THREE PARTS: CONNECTOR UNIT, METAL SHIELDING AND LATCH.
4. DIMENSIONS IN PARENTHESSES ARE FOR REFERENCE.

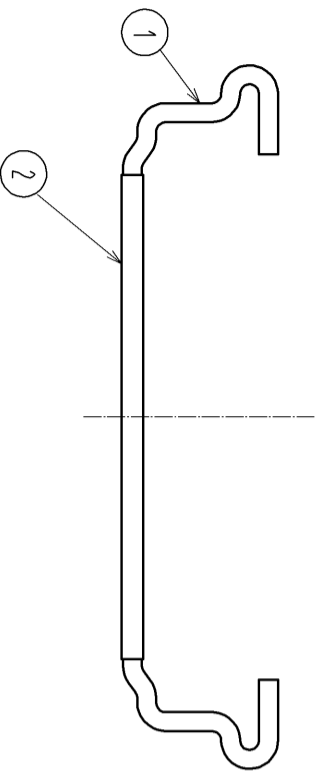


2 LABEL DETAILS FOR BOX (EXAMPLE)

HRS		INSPECTION 検査
CODE NO. 品名コード	CL662-8107-3-52	
PART NO. 品名	DF81-30P-LCH(52)	
QTY 数量	500 PCS	
PECULIAR 仕様		
Lot NO		
SPLICE 継ぎ目		

2 LABEL DETAILS FOR STICK (EXAMPLE)

HRS		INSPECTION 検査
CODE NO. 品名コード	CL662-8107-3-52	
PART NO. 品名	DF81-30P-LCH(52)	
QTY 数量	500 PCS	
PECULIAR 仕様		
Lot NO		
SPLICE 継ぎ目		



3

部番	部品名称	製品名	HRS No.
-	コネクタユニット	DF81D-30P-0.4SD(52)	CL662-8119-2-52
-	シールド	DF81-30P-SHL(52)	CL662-8106-0-52
1.2	ラッチ	DF81-30P-LCH(52)	CL662-8107-3-52

1	SUS	—	2	POLYESTER	BLACK
NO.	MATERIAL	FINISH . REMARKS	NO.	MATERIAL	FINISH . REMARKS
UNITS	SCALE	COUNT	DESCRIPTION OF REVISIONS	DESIGNED	CHECKED
mm	5 : 1				DATE

HRS HIROSE ELECTRIC CO., LTD.		Approved : MH. YAMANE 13.11.26 DRAWING NO.		EDC3-340821-02	
Checked : MH. TSUCHIDA 13.11.25 PART NO.		Designed : AH. MIYAZAKI 13.11.12 CODE NO.		DF81-30P-LCH(52)	
Drawn : AH. MIYAZAKI 13.11.12 CODE NO.		CL662-8107-3-52		1/1	