



Chipsmall Limited consists of a professional team with an average of over 10 year of expertise in the distribution of electronic components. Based in Hongkong, we have already established firm and mutual-benefit business relationships with customers from,Europe,America and south Asia,supplying obsolete and hard-to-find components to meet their specific needs.

With the principle of “Quality Parts,Customers Priority,Honest Operation,and Considerate Service”,our business mainly focus on the distribution of electronic components. Line cards we deal with include Microchip,ALPS,ROHM,Xilinx,Pulse,ON,Everlight and Freescale. Main products comprise IC,Modules,Potentiometer,IC Socket,Relay,Connector.Our parts cover such applications as commercial,industrial, and automotives areas.

We are looking forward to setting up business relationship with you and hope to provide you with the best service and solution. Let us make a better world for our industry!



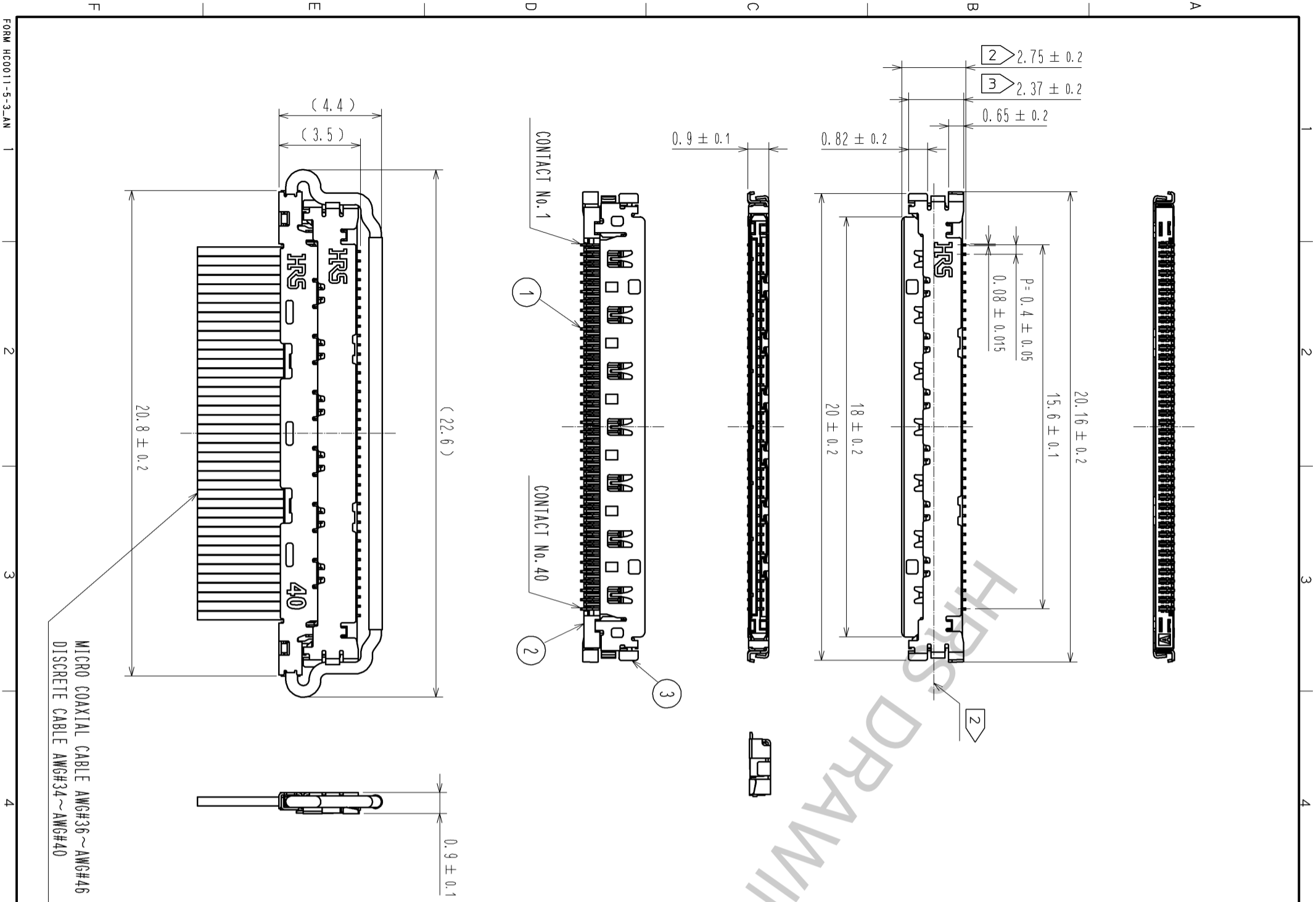
Contact us

Tel: +86-755-8981 8866 Fax: +86-755-8427 6832

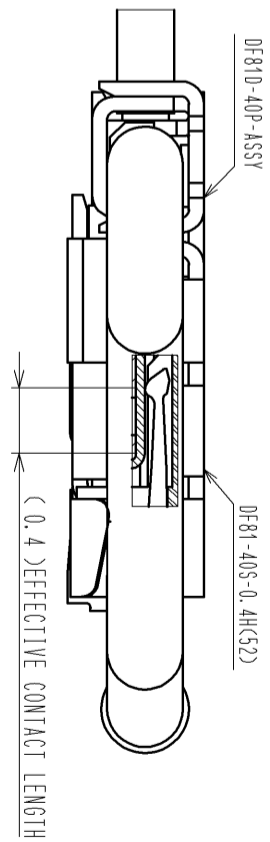
Email & Skype: info@chipsmall.com Web: www.chipsmall.com

Address: A1208, Overseas Decoration Building, #122 Zhenhua RD., Futian, Shenzhen, China





MICRO COAXIAL CABLE AWG#36~AWG#46
DISCRETE CABLE AWG#34~AWG#40



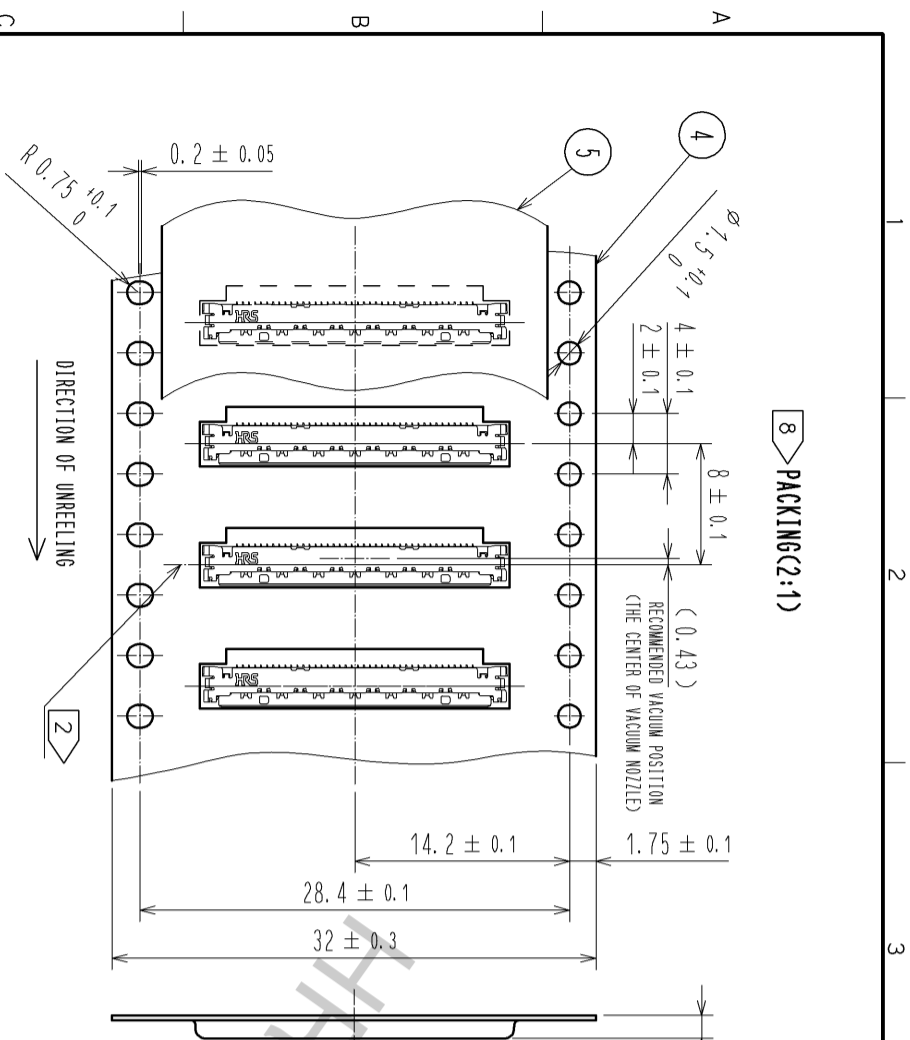
MATING FIGURE(20:1)

- NOTES 1. LEAD CO-PLANARITY SHALL BE 0.1mmMAX.
 2. DIRECTED CENTER LINE INDICATES THE CENTER OF 2.75±0.2 WHICH IS CONNECTOR DIMENSION.
 IT CORRESPONDS WITH THE CENTER LINE OF EMBOSSED POCKET.
 3. DIRECTED CENTER LINE INDICATES THE CENTER OF 2.37±0.2 WHICH IS RECOMMENDED LAND PATTERN DIMENSION.
 IT IS THE BASE LINE OF RECOMMENDED LAND PATTERN DIMENSION AND RECOMMENDED METAL MASK DIMENSION.
 IT CORRESPONDS WITH THE CENTER OF 2.57±0.02 WHICH IS CONNECTOR DIMENSION.
 4. CONDUCTIVE CIRCUIT ON THIS SURFACE REQUIRES THE COVERAGE WITH RESIST.
 5. IT INDICATES PROHIBITION AREA OF MOUNTING.
 IF PARTS WERE MOUNTED ON THIS AREA, THE LOCK OF CONNECTOR BECOMES DISABLED
 BECAUSE MOUNTED PARTS INTERFERE WITH THE LATCH OF PLUG.
 6. PER REEL : 500 COMPONENTS.
 7. THE DIMENSIONS IN PARENTHESES ARE FOR REFERENCE.
 8. REFER TO JIS 0806.(PACKING OF COMPONENTS FOR AUTO HANDRING)

2	LCP	UL94V-0, BLACK	6	PS	BLACK
1	PHOSPHOR BRONZE	CONTACT AREA : Au PLATING 0.1μm MIN. LEAD AREA : Au PLATING 0.05μm MIN. UNDER PLATING : Ni PLATING 1μm MIN.	5	POLYESTER	CLEAR
			4	PS	CLEAR
			3	SUS	CONTACT AREA : Au PLATING 0.05μm MIN. LEAD AREA : Au PLATING 0.05μm MIN. UNDER PLATING : Ni PLATING 0.2μm MIN.

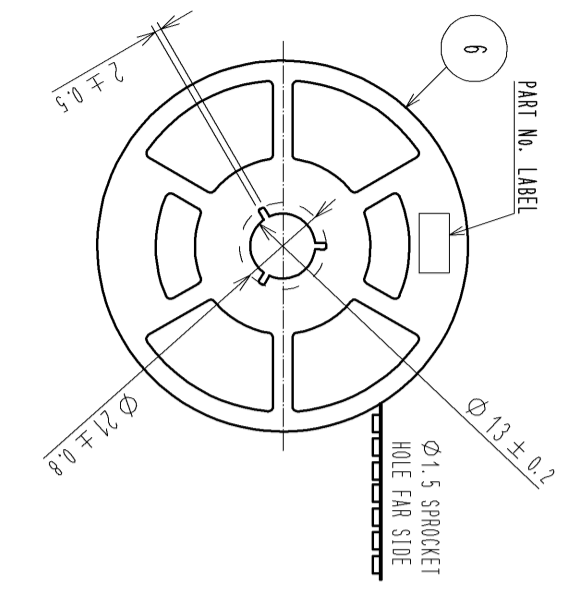
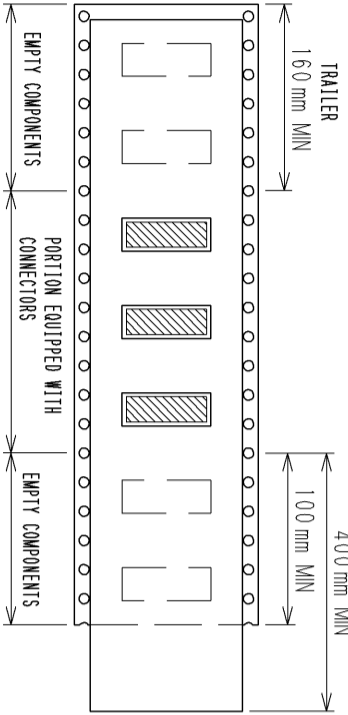
UNITS	mm	SCALE	5 : 1
承認	MH. YAMANE	13.11.26	図番
検図	MH. TSUCHIDA	13.11.25	製品名
設計	AH. MIYAZAKI	13.11.12	DF81-40S-0.4H(52)
製図	AH. MIYAZAKI	13.11.12	製品
			CL662-8100-4-52

訂正	設計	検図	年月日

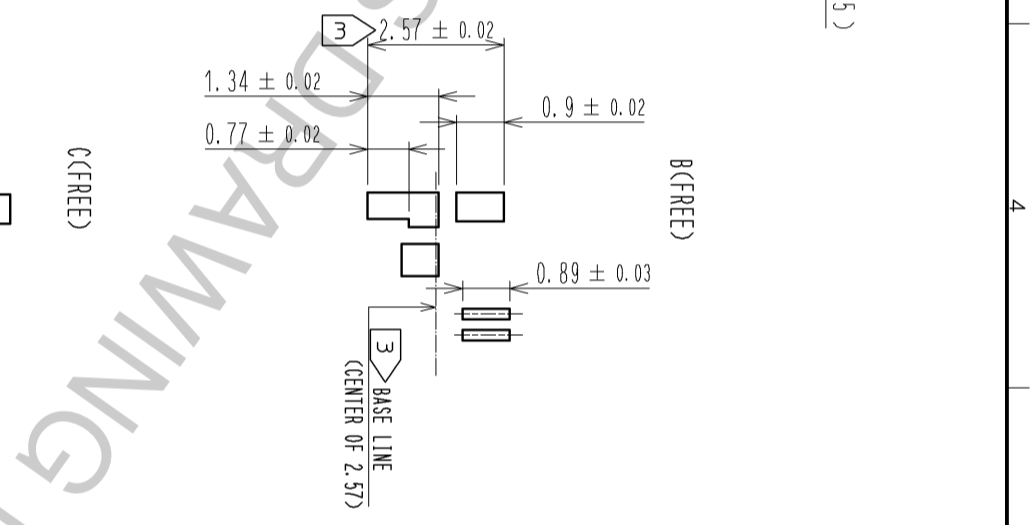
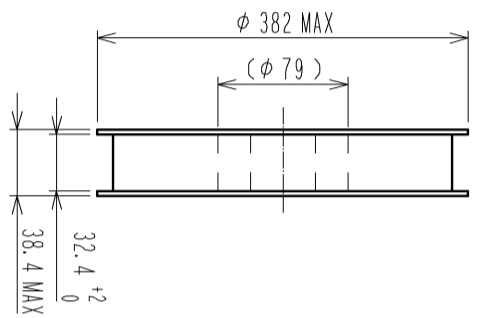


8 PACKING(2:1)

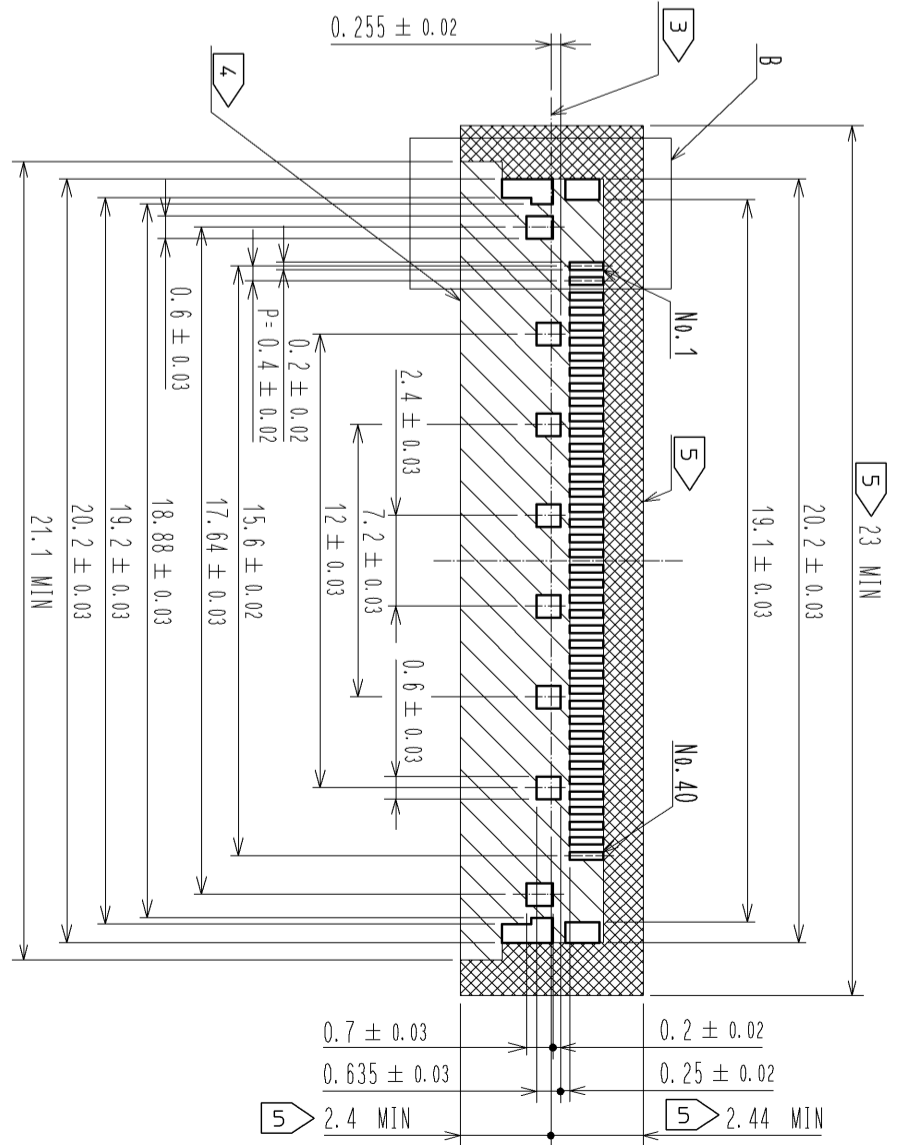
TAPING (FREE)



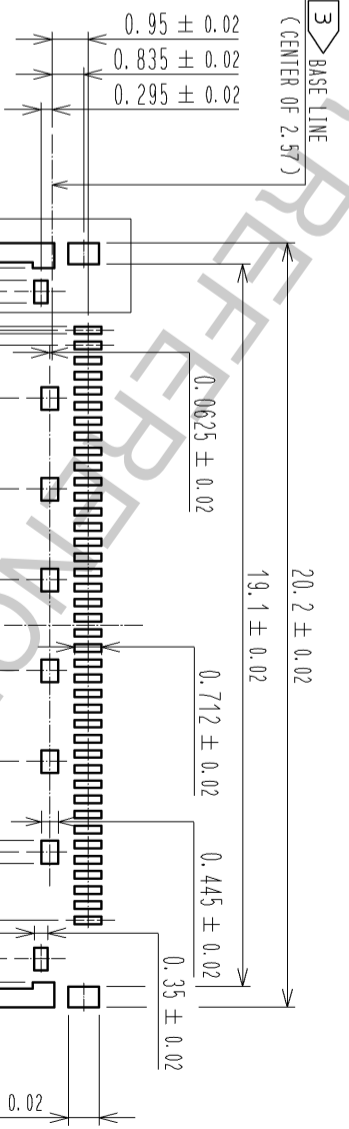
STYLE AND DIMENSION OF REEL(FREE)



RECOMMENDED LAND PATTERN



RECOMMENDED METAL MASK
RECOMMENDED METAL MASK THICKNESS: 0.1mm



DETAIL OF PART NO. LABEL (EXAMPLE)

生産月日	年月日
CL662-8100-4-52	
品名	DF81-40S-0.4H(52)
納入数量	500個
納入者	ヒロセ電機株式会社
SUPPLIER	
QUANTITY	
PART No.	
CODE No.	
DATE OF MANUFACTURED	

HRS

製品名: DF81-40S-0.4H(52)
 製品コード: CL662-8100-4-52