



Chipsmall Limited consists of a professional team with an average of over 10 year of expertise in the distribution of electronic components. Based in Hongkong, we have already established firm and mutual-benefit business relationships with customers from,Europe,America and south Asia,supplying obsolete and hard-to-find components to meet their specific needs.

With the principle of "Quality Parts,Customers Priority,Honest Operation,and Considerate Service",our business mainly focus on the distribution of electronic components. Line cards we deal with include Microchip,ALPS,ROHM,Xilinx,Pulse,ON,Everlight and Freescale. Main products comprise IC,Modules,Potentiometer,IC Socket,Relay,Connector.Our parts cover such applications as commercial,industrial, and automotives areas.

We are looking forward to setting up business relationship with you and hope to provide you with the best service and solution. Let us make a better world for our industry!



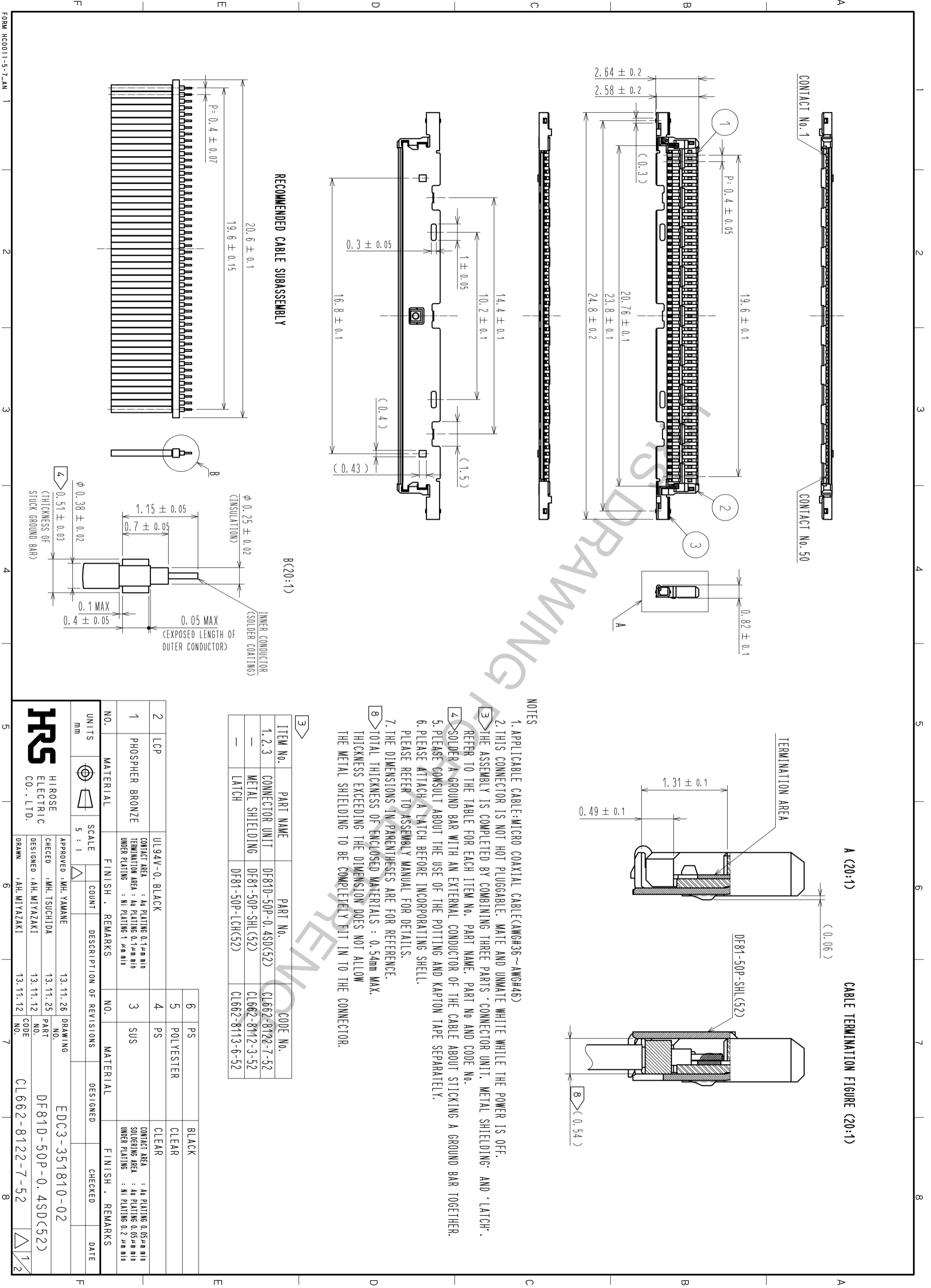
Contact us

Tel: +86-755-8981 8866 Fax: +86-755-8427 6832

Email & Skype: info@chipsmall.com Web: www.chipsmall.com

Address: A1208, Overseas Decoration Building, #122 Zhenhua RD., Futian, Shenzhen, China





NOTES

1. APPLICABLE CABLE: MICRO COAXIAL CABLE(AWG#36~AWG#46)
2. THIS CONNECTOR IS NOT HOT PLUGGABLE. MATE AND UNMATE WHILE THE POWER IS OFF.
3. THE ASSEMBLY IS COMPLETED BY COMBINING THREE PARTS 'CONNECTOR UNIT, METAL SHIELDING' AND 'LATCH'. REFER TO THE TABLE FOR EACH ITEM No. PART NAME, PART No AND CODE No.
4. SOLDER A GROUND BAR WITH AN EXTERNAL CONDUCTOR OF THE CABLE ABOUT STICKING A GROUND BAR TOGETHER. PLEASE CONSULT ABOUT THE USE OF THE POTTING AND KAPTON TAPE SEPARATELY.
5. PLEASE ATTACH A LATCH BEFORE INCORPORATING SHELL.
6. PLEASE REFER TO ASSEMBLY MANUAL FOR DETAILS.
7. THE DIMENSIONS IN PARENTHESES ARE FOR REFERENCE.
8. TOTAL THICKNESS OF ENCLOSED MATERIALS : 0.54mm MAX. THICKNESS EXCEEDING THE DIMENSION DOES NOT ALLOW THE METAL SHIELDING TO BE COMPLETELY FIT IN TO THE CONNECTOR.

ITEM No.	PART NAME	PART No.	CODE No.
1, 2, 3	CONNECTOR UNIT	DF81D-50P-0.4SD(52)	CL662-8122-7-52
—	METAL SHIELDING	DF81-50P-SHL(52)	CL662-8112-3-52
—	LATCH	DF81-50P-LCH(52)	CL662-8113-6-52

NO.	MATERIAL	FINISH	REMARKS	NO.	MATERIAL	FINISH	REMARKS
2	LCP	UL94V-0, BLACK		6	PS	BLACK	
1	PHOSPHOR BRONZE	CONTACT AREA : Au PLATING 0.1µm min TERMINATION AREA : Au PLATING 0.1µm min UNDER PLATING : Ni PLATING 1 µm min		5	POLYESTER	CLEAR	
				4	PS	CLEAR	
				3	SUS	CLEAR	CONTACT AREA : Au PLATING 0.05µm min SOLDERING AREA : Au PLATING 0.05µm min UNDER PLATING : Ni PLATING 0.2 µm min

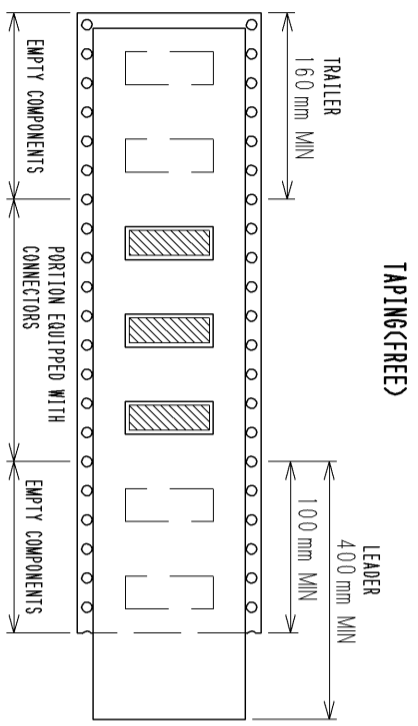
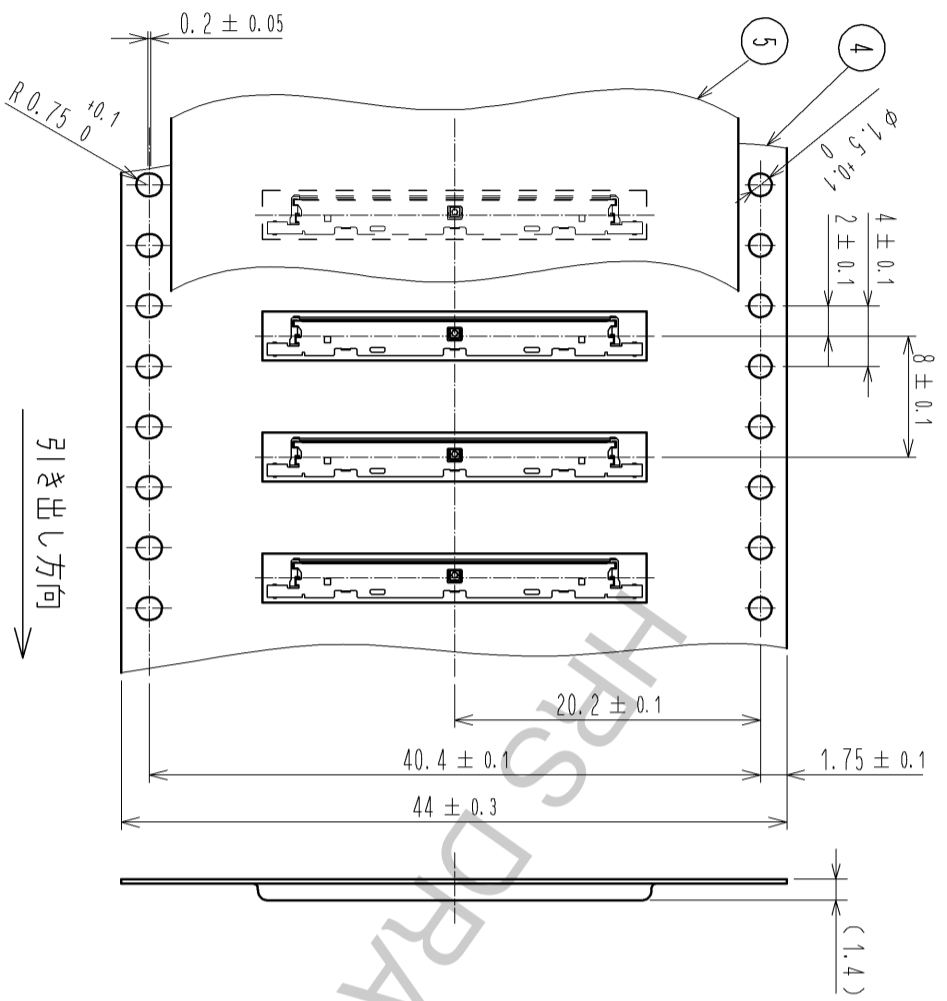
HRS HIROSE ELECTRIC CO., LTD.

DESIGNED : AH, MIYAZAKI
DRAWN : AH, MIYAZAKI

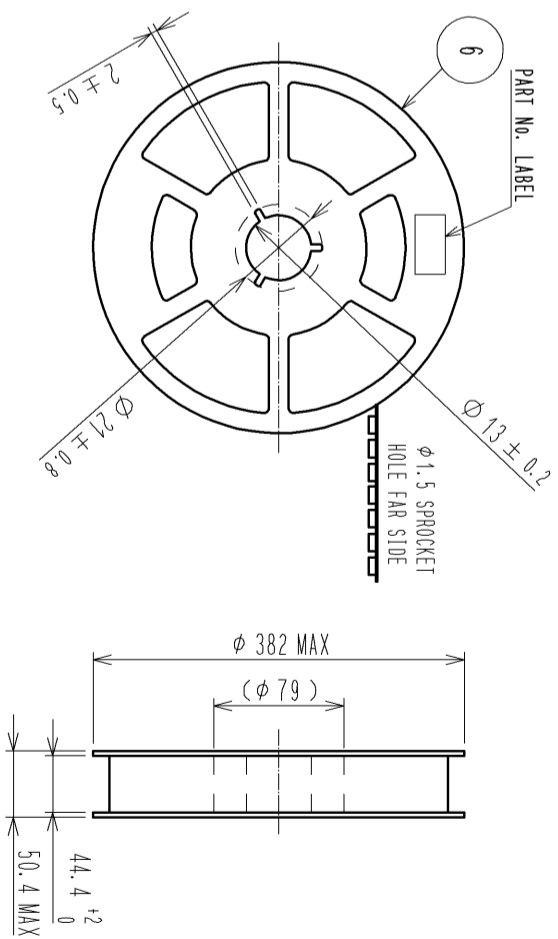
APPROVED : MH, YAMANE
CHECKED : MH, TSUCHIDA

13.11.26
13.11.25

EDC3-351810-02
DF81D-50P-0.4SD(52)



STYLE AND DIMENSION OF REEL (FREE)



DETAIL OF PART No. LABEL(EXAMPLE)

生産月日	年月日
図番	CL662-8122-7-52
品名	DF81D-50P-0.4SD(52)
納入数量	500個
納入者	ヒロセ電機株式会社
SUPPLIER	
QUANTITY	
PART No.	
CODE No.	
DATE OF MANUFACTURED	

FORM HC0011-5-8-AN

HRS

DRAWING NO.	EDC3-351810-02
PART NO.	DF81D-50P-0.4SD(52)
CODE NO.	CL662-8122-7-52

2/2