



Chipsmall Limited consists of a professional team with an average of over 10 year of expertise in the distribution of electronic components. Based in Hongkong, we have already established firm and mutual-benefit business relationships with customers from,Europe,America and south Asia,supplying obsolete and hard-to-find components to meet their specific needs.

With the principle of “Quality Parts,Customers Priority,Honest Operation,and Considerate Service”,our business mainly focus on the distribution of electronic components. Line cards we deal with include Microchip,ALPS,ROHM,Xilinx,Pulse,ON,Everlight and Freescale. Main products comprise IC,Modules,Potentiometer,IC Socket,Relay,Connector.Our parts cover such applications as commercial,industrial, and automotives areas.

We are looking forward to setting up business relationship with you and hope to provide you with the best service and solution. Let us make a better world for our industry!



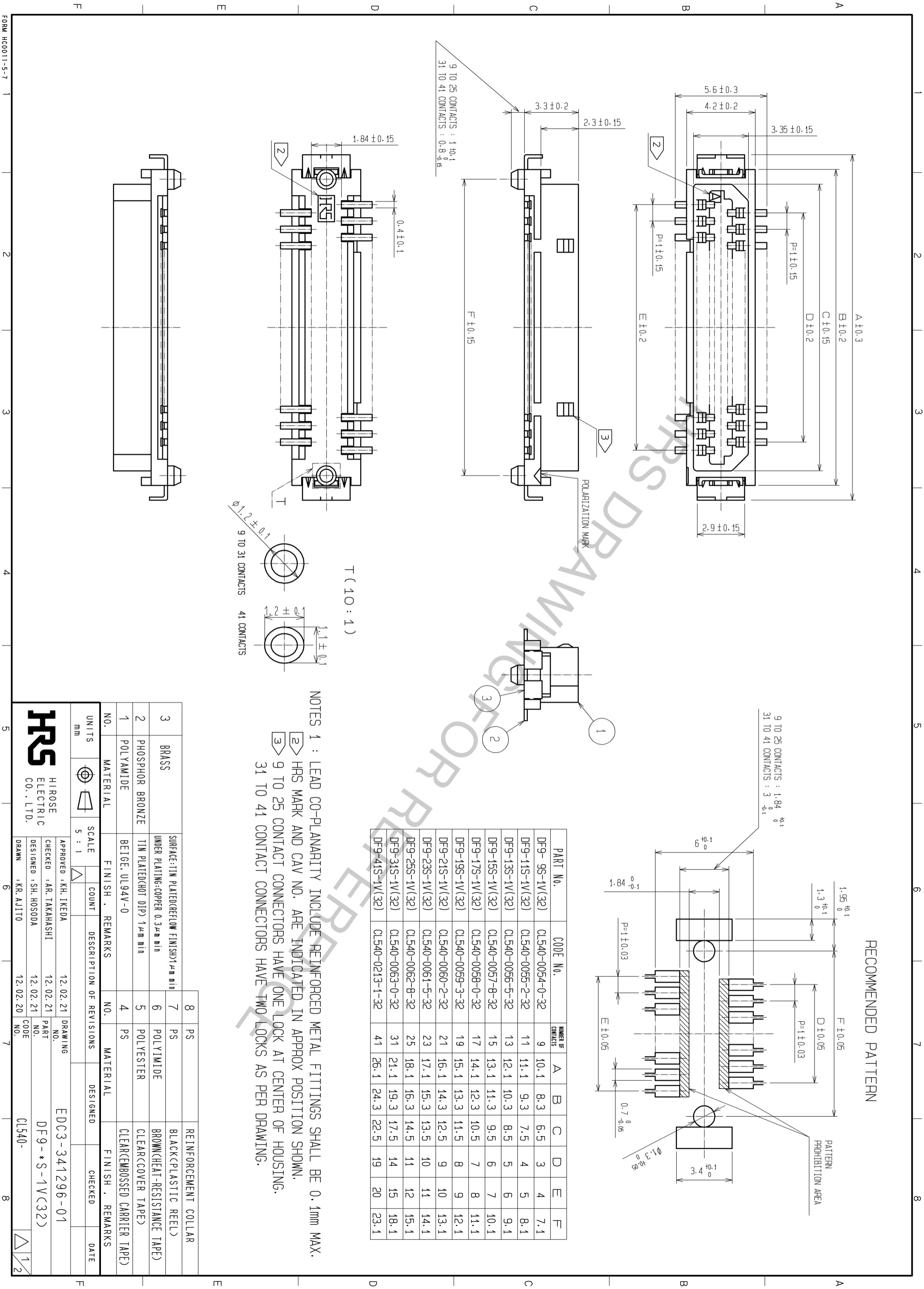
Contact us

Tel: +86-755-8981 8866 Fax: +86-755-8427 6832

Email & Skype: info@chipsmall.com Web: www.chipsmall.com

Address: A1208, Overseas Decoration Building, #122 Zhenhua RD., Futian, Shenzhen, China

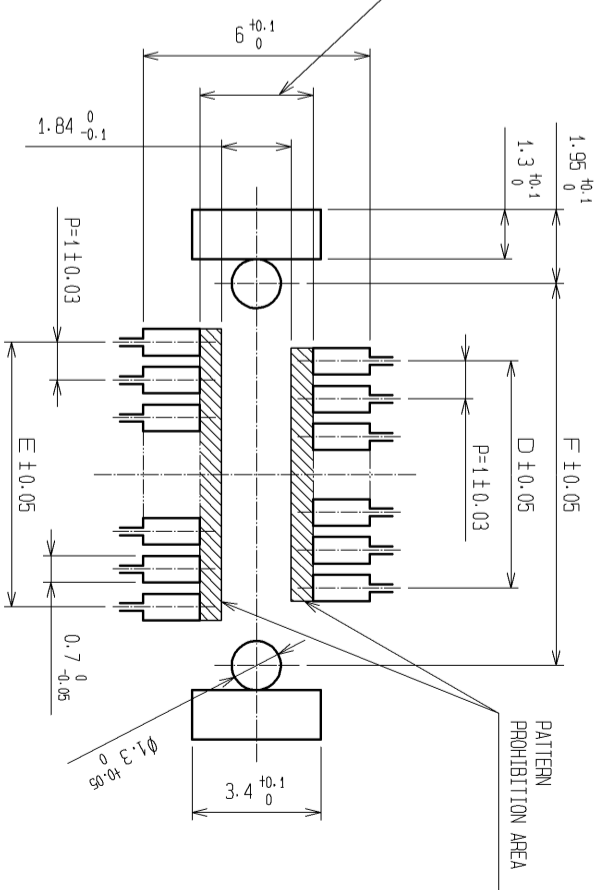




9 TO 25 CONTACTS : 1.40±0.1
31 TO 41 CONTACTS : 0.8±0.15

9 TO 25 CONTACTS : 1.84^{+0.1}₀
31 TO 41 CONTACTS : 3^{+0.1}_{-0.1}

RECOMMENDED PATTERN



PART NO.	CODE NO.	NUMBER OF CONTACTS	A	B	C	D	E	F
DF9-9S-1V(32)	CL540-0054-0-32	9	10.1	8.3	6.5	3	4	7.1
DF9-11S-1V(32)	CL540-0055-2-32	11	11.1	9.3	7.5	4	5	8.1
DF9-13S-1V(32)	CL540-0056-5-32	13	12.1	10.3	8.5	5	6	9.1
DF9-15S-1V(32)	CL540-0057-8-32	15	13.1	11.3	9.5	6	7	10.1
DF9-17S-1V(32)	CL540-0058-0-32	17	14.1	12.3	10.5	7	8	11.1
DF9-19S-1V(32)	CL540-0059-3-32	19	15.1	13.3	11.5	8	9	12.1
DF9-21S-1V(32)	CL540-0060-2-32	21	16.1	14.3	12.5	9	10	13.1
DF9-23S-1V(32)	CL540-0061-5-32	23	17.1	15.3	13.5	10	11	14.1
DF9-25S-1V(32)	CL540-0062-8-32	25	18.1	16.3	14.5	11	12	15.1
DF9-31S-1V(32)	CL540-0063-0-32	31	21.1	19.3	17.5	14	15	18.1
DF9-41S-1V(32)	CL540-0213-1-32	41	26.1	24.3	22.5	19	20	23.1

NOTES 1 : LEAD CO-PLANARITY INCLUDE REINFORCED METAL FITTINGS SHALL BE 0.1mm MAX.

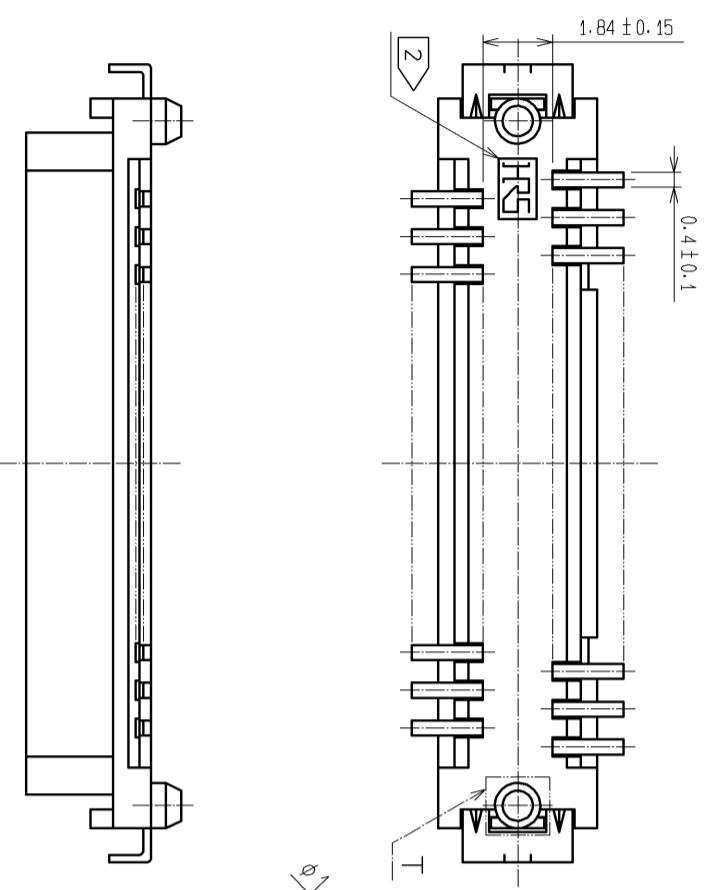
2 HRS MARK AND CAV NO. ARE INDICATED IN APPROX POSITION SHOWN.

3 9 TO 25 CONTACT CONNECTORS HAVE ONE LOCK AT CENTER OF HOUSING.

31 TO 41 CONTACT CONNECTORS HAVE TWO LOCKS AS PER DRAWING.



T (10 : 1)

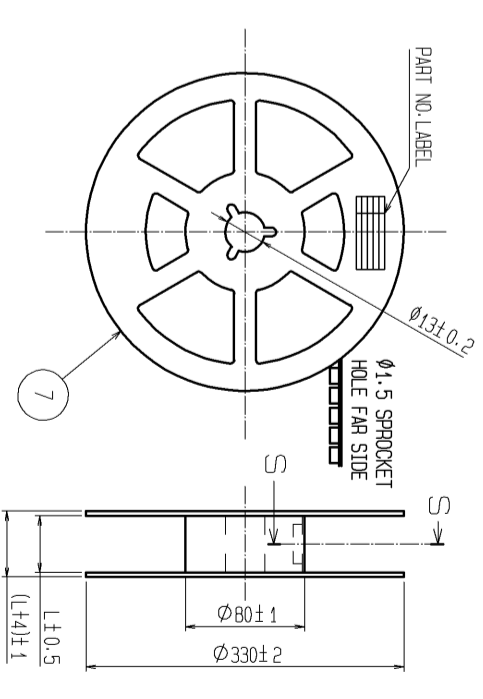
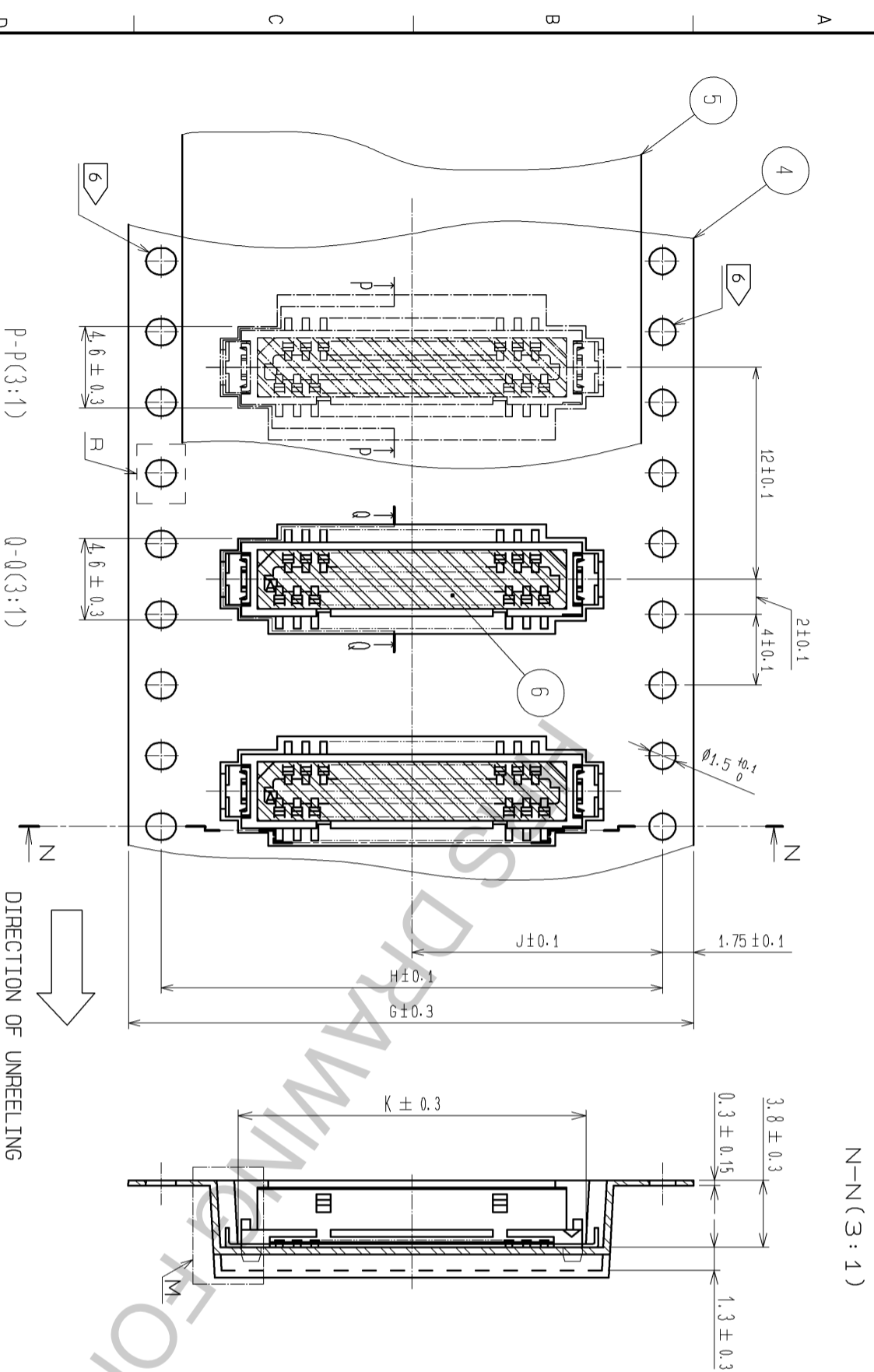


NO.	MATERIAL	FINISH	REMARKS	NO.	MATERIAL	FINISH	REMARKS
1	POLYAMIDE	BEIGE, UL94V-0		4	PS	CLEAR(EMBOSSSED CARRIER TAPE)	
2	PHOSPHOR BRONZE	TIN PLATED(HOT DIP) 1μm min		5	POLYESTER	CLEAR(COVER TAPE)	
3	BRASS	SURFACE:TIN PLATED(REFLOW FINISH)1μm min UNDER PLATING: COPPER 0.3μm min		6	POLYIMIDE	BROWN(HEAT-RESISTANCE TAPE)	
				7	PS	BLACK(PLASTIC REEL)	
				8	PS	REINFORCEMENT COLLAR	

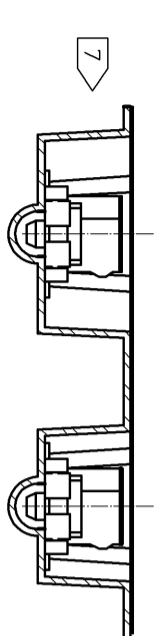
UNITS	SCALE	COUNT	DESCRIPTION OF REVISIONS	DESIGNED	CHECKED	DATE
mm	5 : 1					

APPROVED : KH. IKEDA	12.02.21	DRAWING NO.	EDC3-341296-01
CHECKED : AR. TAKAHASHI	12.02.21	PART NO.	DF9-*S-1V(32)
DESIGNED : SH. HOSODA	12.02.21	CODE NO.	CL540-
DRAWN : KR. AJITO	12.02.20		

STYLE AND DIMENSION OF REEL (FREE)



PART No.	CODE No.	NUMBER OF CONTACTS	G	H	J	K	L
DF9-9S-1V(32)	CL540-0054-0-32	9	24	-	11.5	8.7	25.5
DF9-11S-1V(32)	CL540-0055-2-32	11	24	-	11.5	9.7	25.5
DF9-13S-1V(32)	CL540-0056-5-32	13	24	-	11.5	10.7	25.5
DF9-15S-1V(32)	CL540-0057-8-32	15	24	-	11.5	11.7	25.5
DF9-17S-1V(32)	CL540-0058-0-32	17	24	-	11.5	12.7	25.5
DF9-19S-1V(32)	CL540-0059-3-32	19	24	-	11.5	13.7	25.5
DF9-21S-1V(32)	CL540-0060-2-32	21	24	-	11.5	14.7	25.5
DF9-23S-1V(32)	CL540-0061-5-32	23	32	28.4	14.2	15.7	33.5
DF9-25S-1V(32)	CL540-0062-8-32	25	32	28.4	14.2	16.7	33.5
DF9-31S-1V(32)	CL540-0063-0-32	31	32	28.4	14.2	19.7	33.5
DF9-41S-1V(32)	CL540-0213-1-32	41	44	40.4	20.2	24.7	45.5



DETAIL OF PART NO. LABEL

SUPPLIER

QUANTITY

PART NO.

CODE NO.

DATE OF MANUFACTURED

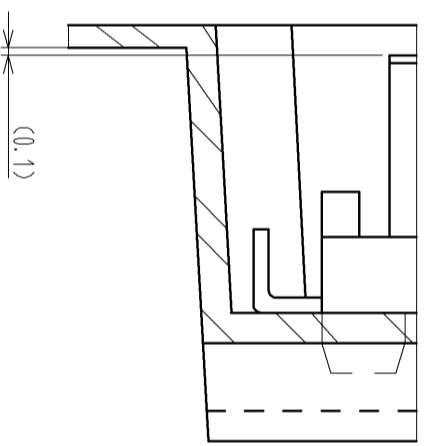
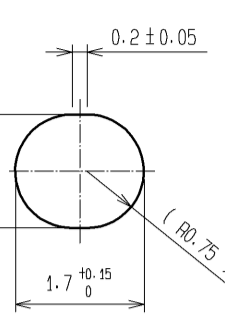
生産月日 年 月 日

品番 CL540-***-**-32

品名 DF9-*S-1V(32)

納入数量 1000KO

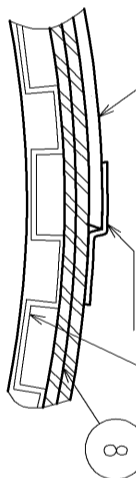
納入者 ヒロセ電機(株)



REINFORCEMENT COLLAR

TAPING

TAPE AND REEL POCKET



- NOTES
- 1 REEL 1000 CONNECTORS.
 - 2 AT THE BEGINNING OF THE REEL, 30 COMPONENTS SHALL BE EMPTY.
 - 3 AT THE END OF THE REEL, 20 COMPONENTS SHALL BE EMPTY.
 - 4 LET THE SENDING HOLE OF 9 TO 21 CONTACTS BE ONLY THE UPPER ONE SIDE TOWARD A DRAWING. THE SENDING HOLE OF 23 OR MORE CONTACTS IS ESTABLISHED IN BOTH SIDES, AS SHOWN IN A FIGURE.
 - 5 A POCKET SHAPE IS DIFFERET AT INTERVALS OF EACH CAVITY NUMBER TO AVOID OVERLAP.
 - 6 AFTER PACKING, ROLL 2 METERS OF THE REINFORCEMENT COLLAR TO OUTER CIRCUMFERENCE OF TAPE AND REEL POCKET, AND TAPE DOWN AT THE END THE COLLAR.