



Chipsmall Limited consists of a professional team with an average of over 10 year of expertise in the distribution of electronic components. Based in Hongkong, we have already established firm and mutual-benefit business relationships with customers from,Europe,America and south Asia,supplying obsolete and hard-to-find components to meet their specific needs.

With the principle of “Quality Parts,Customers Priority,Honest Operation,and Considerate Service”,our business mainly focus on the distribution of electronic components. Line cards we deal with include Microchip,ALPS,ROHM,Xilinx,Pulse,ON,Everlight and Freescale. Main products comprise IC,Modules,Potentiometer,IC Socket,Relay,Connector.Our parts cover such applications as commercial,industrial, and automotives areas.

We are looking forward to setting up business relationship with you and hope to provide you with the best service and solution. Let us make a better world for our industry!



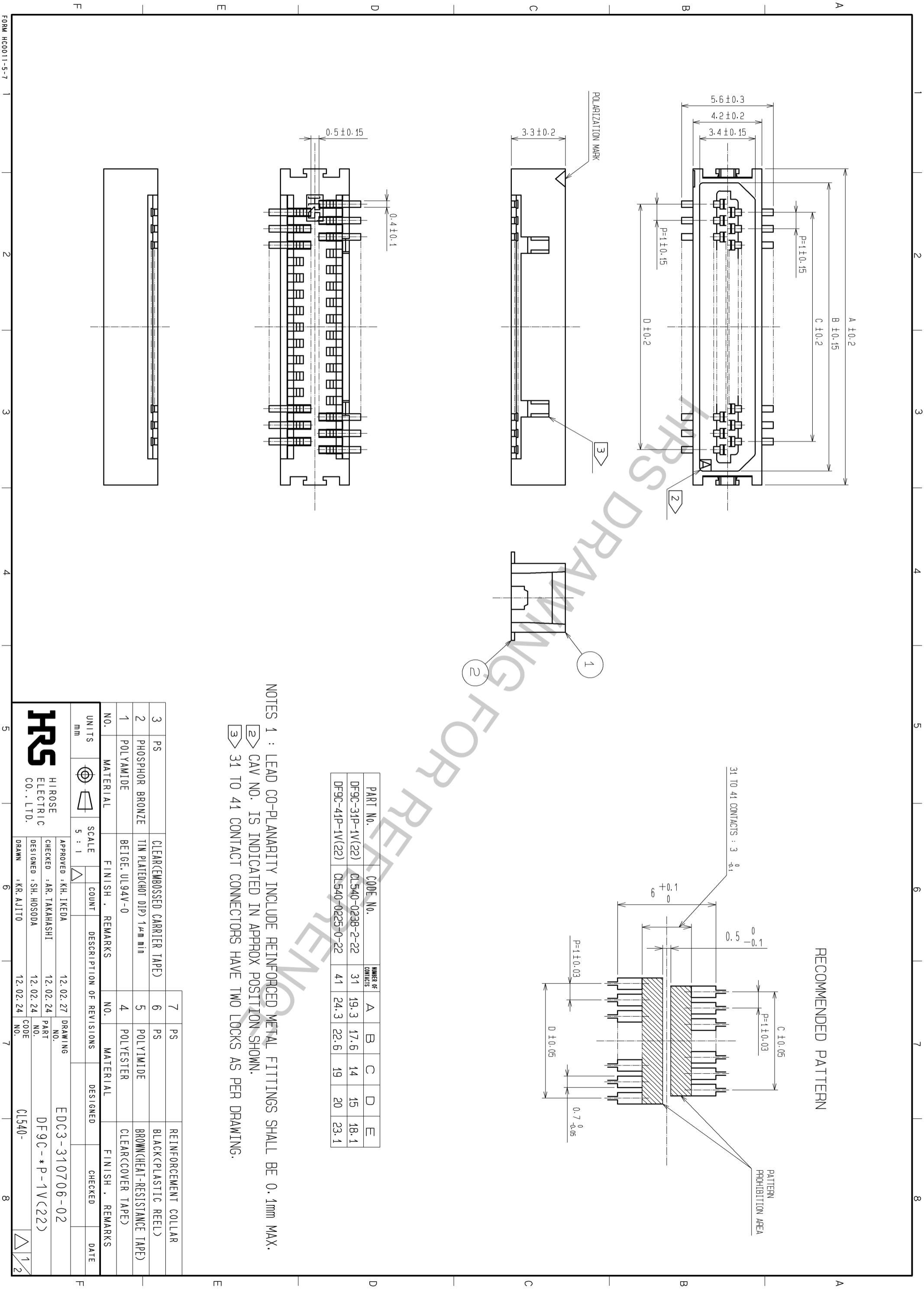
Contact us

Tel: +86-755-8981 8866 Fax: +86-755-8427 6832

Email & Skype: info@chipsmall.com Web: www.chipsmall.com

Address: A1208, Overseas Decoration Building, #122 Zhenhua RD., Futian, Shenzhen, China





NOTES 1 : LEAD CO-PLANARITY INCLUDE REINFORCED METAL FITTINGS SHALL BE 0.1mm MAX.
 2 CAV NO. IS INDICATED IN APPROX POSITION SHOWN.
 3 31 TO 41 CONTACT CONNECTORS HAVE TWO LOCKS AS PER DRAWING.

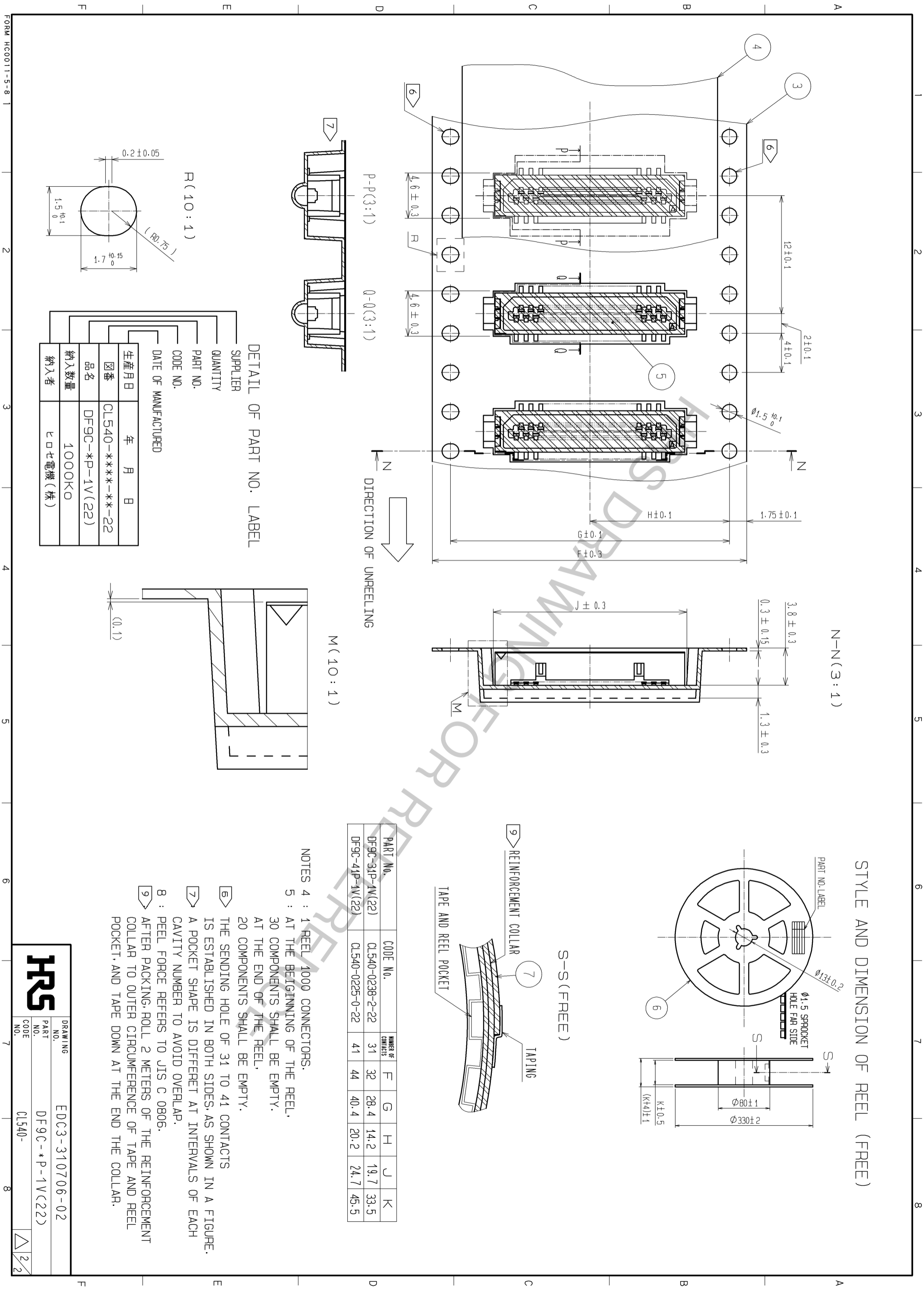
PART No.	CODE No.	NUMBER of CONTACTS	A	B	C	D	E
DF9C-31P-1V(22)	CL540-0238-2-22	31	19.3	17.6	14	15	18.1
DF9C-41P-1V(22)	CL540-0225-0-22	41	24.3	22.6	19	20	23.1



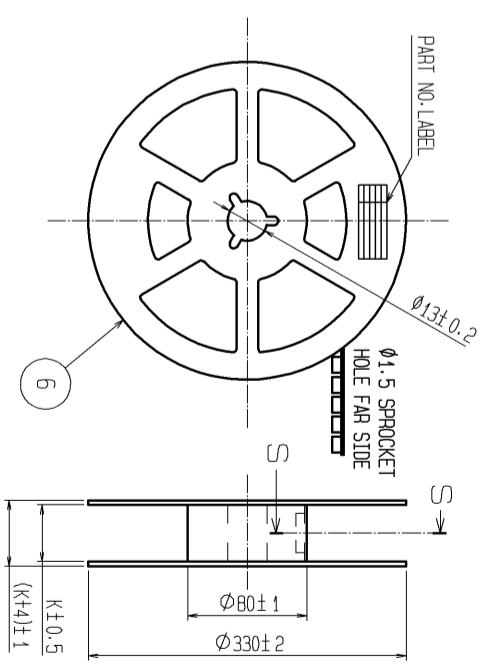
NO.	MATERIAL	FINISH . REMARKS	NO.	MATERIAL	FINISH . REMARKS
3	PS	CLEAR(EMBOSSED CARRIER TAPE)	7	PS	REINFORCEMENT COLLAR
2	PHOSPHOR BRONZE	TIN PLATED(GHOT DIP) 1μm min	6	PS	BLACK(PLASTIC REEL)
1	POLYAMIDE	BEIGE, UL94V-0	5	POLYIMIDE	BROWN(HEAT-RESISTANCE TAPE)
			4	POLYESTER	CLEAR(COVER TAPE)

UNITS	SCALE	COUNT	DESCRIPTION OF REVISIONS	DESIGNED	CHECKED	DATE
mm	5 : 1					

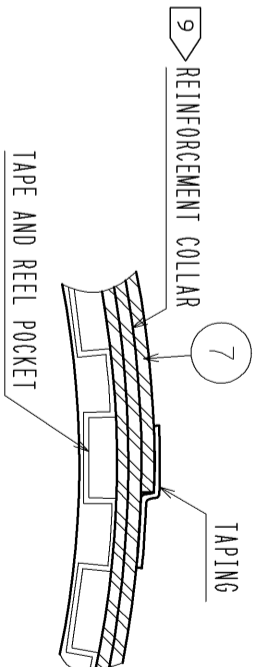
APPROVED	CHECKED	DESIGNED	DRAWING NO.	PART NO.	CODE
KH. IKEDA	AR. TAKAHASHI	SH. HOSODA	12.02.27	12.02.24	12.02.24
		KR. AJITO	EDC3-310706-02	DF9C-*P-1V(22)	CL540-



STYLE AND DIMENSION OF REEL (FREE)



S-S (FREE)



PART No.	CODE No.	NUMBER OF CONTACTS	F	G	H	J	K
DF9C-31P-1V(22)	CL540-0238-2-22	31	32	28.4	14.2	19.7	33.5
DF9C-41P-1V(22)	CL540-0225-0-22	41	44	40.4	20.2	24.7	45.5

NOTES 4 : 1 REEL 1000 CONNECTORS.

- 5 : AT THE BEGINNING OF THE REEL, 30 COMPONENTS SHALL BE EMPTY. AT THE END OF THE REEL, 20 COMPONENTS SHALL BE EMPTY.
- 6 : THE SENDING HOLE OF 31 TO 41 CONTACTS IS ESTABLISHED IN BOTH SIDES, AS SHOWN IN A FIGURE.
- 7 : A POCKET SHAPE IS DIFFERET AT INTERVALS OF EACH CAVITY NUMBER TO AVOID OVERLAP.
- 8 : PEEL FORCE REFERS TO JIS C 0806.
- 9 : AFTER PACKING, ROLL 2 METERS OF THE REINFORCEMENT COLLAR TO OUTER CIRCUMFERENCE OF TAPE AND REEL POCKET, AND TAPE DOWN AT THE END THE COLLAR.

DETAIL OF PART NO. LABEL

QUANTITY	PART NO.	CODE NO.	DATE OF MANUFACTURED	生産月日	年	月	日
納入数量	DF9C-*P-1V(22)	CL540-***-**-22	納入者	ヒロセ電機(株)			

