



Chipsmall Limited consists of a professional team with an average of over 10 year of expertise in the distribution of electronic components. Based in Hongkong, we have already established firm and mutual-benefit business relationships with customers from,Europe,America and south Asia,supplying obsolete and hard-to-find components to meet their specific needs.

With the principle of "Quality Parts,Customers Priority,Honest Operation,and Considerate Service",our business mainly focus on the distribution of electronic components. Line cards we deal with include Microchip,ALPS,ROHM,Xilinx,Pulse,ON,Everlight and Freescale. Main products comprise IC,Modules,Potentiometer,IC Socket,Relay,Connector.Our parts cover such applications as commercial,industrial, and automotives areas.

We are looking forward to setting up business relationship with you and hope to provide you with the best service and solution. Let us make a better world for our industry!



## Contact us

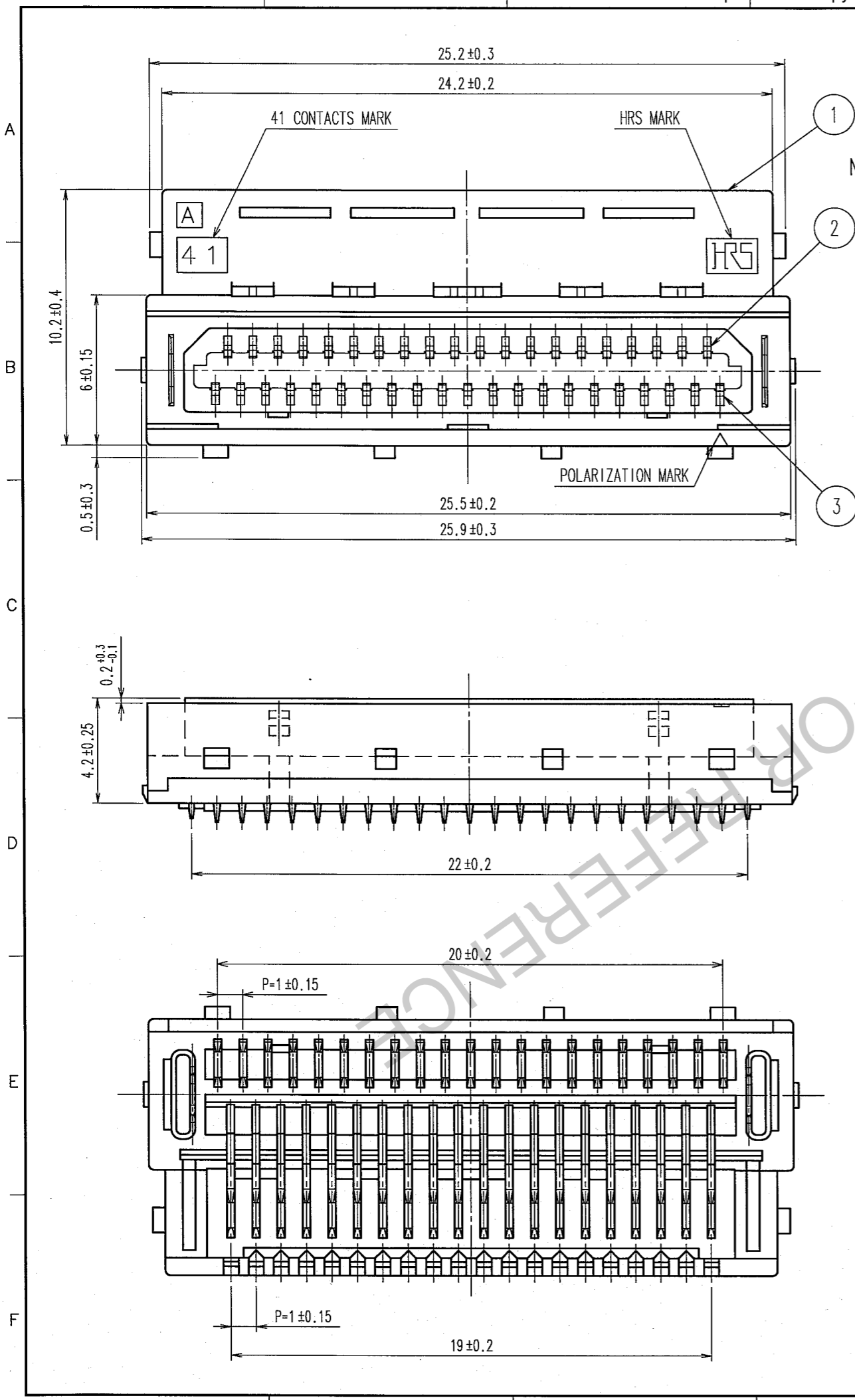
Tel: +86-755-8981 8866 Fax: +86-755-8427 6832

Email & Skype: info@chipsmall.com Web: www.chipsmall.com

Address: A1208, Overseas Decoration Building, #122 Zhenhua RD., Futian, Shenzhen, China

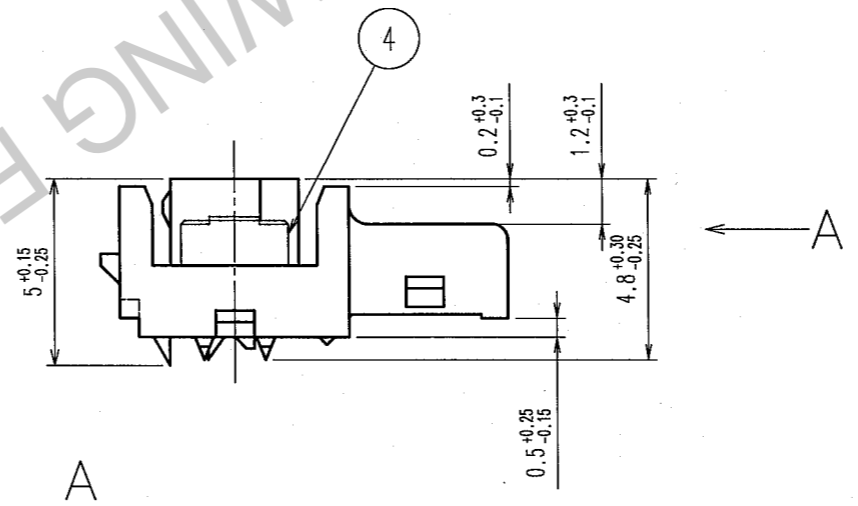
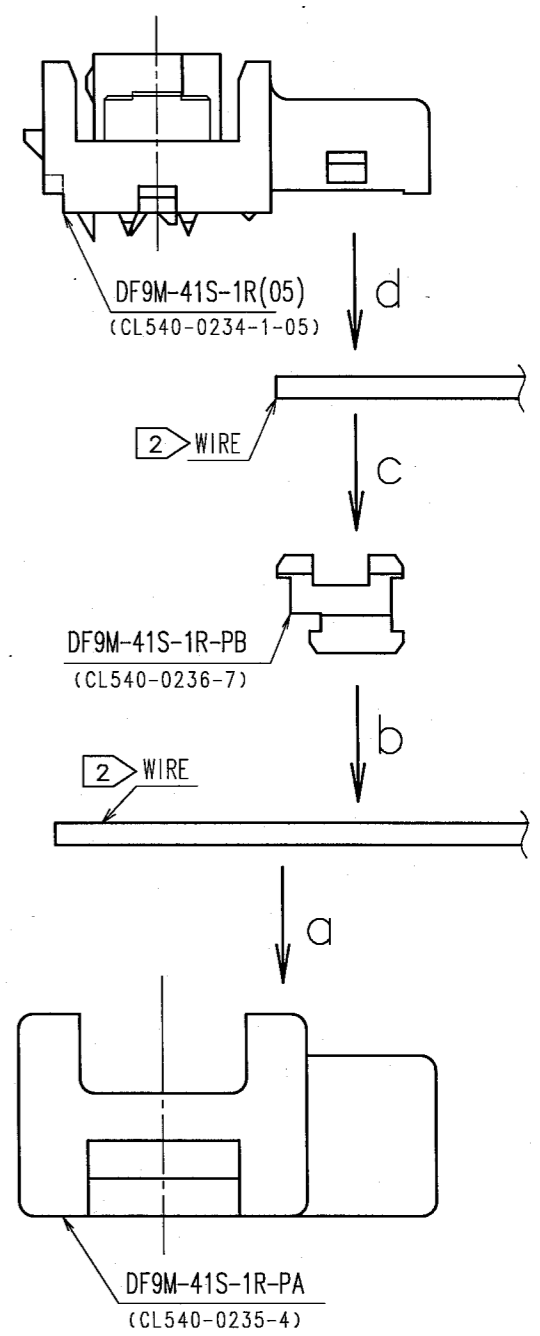


COUNT	DESCRIPTION OF REVISIONS	BY	CHKD	DATE	COUNT	DESCRIPTION OF REVISIONS	BY	CHKD	DATE
▲				..	▲				..
▲				..	▲				..
▲				..	▲				..



- NOTES
- STEP a: INSTALL DISCRETE WIRE INTO DF9M-41S-1R-PA.  
STEP b: PRESS DF9M-41S-1R-PB ON DF9M-41S-1R-PA.  
STEP c: INSTALL DISCRETE WIRE INTO DF9M-41S-1R-PB.  
(USE SA702/DF9M, SEMI-AUTO CABLE ARRANGEMENT MACHINE.)  
STEP d: TERMINATE THE CONTACTS TO DISCRETE WIRE BY PRESSING DF9M-41S-1R(05).  
(USE DF9M/ID-MP(01), INSULATION DISPLACEMENT MACHINE.)
  - APPLICABLE CABLE: UL1571, 28 AWG.  
(INSULATION DIAMETER:  $\phi 0.58 \pm 0.05$  mm,  
CONDUCTOR: 7 PIECES/ $\phi 0.127$  mm, TINNED ANNEALED COPPER WIRE)
  - ASSEMBLY DRAWING IS SHOWN PAGE 2.

ASSEMBLY PROCESS



4	PHOSPHOR BRONZE	TIN PLATED(REFLOW FINISHED) 1 $\mu$ m min	7	DISCRETE WIRE	UL1571 AWG28
3	PHOSPHOR BRONZE	TIN PLATED(REFLOW FINISHED) 1 $\mu$ m min	6	POLYAMIDE	GRAY(NATURAL), UL94V-0
2	PHOSPHOR BRONZE	TIN PLATED(REFLOW FINISHED) 1 $\mu$ m min	5	POLYAMIDE	GRAY(NATURAL), UL94V-0
1	POLYAMIDE	GRAY(NATURAL), UL94V-0			

NO.	MATERIAL	FINISH, REMARKS	NO.	MATERIAL	FINISH, REMARKS

CODE NO. (OLD)	DRAWN	DESIGNED	CHECKED	APPROVED	RELEASED
	H. Marukawa	J. Oai	T. Miyazaki	M. Nakamura	
	06.01.24	06.01.24	06.01.24	06.01.24	

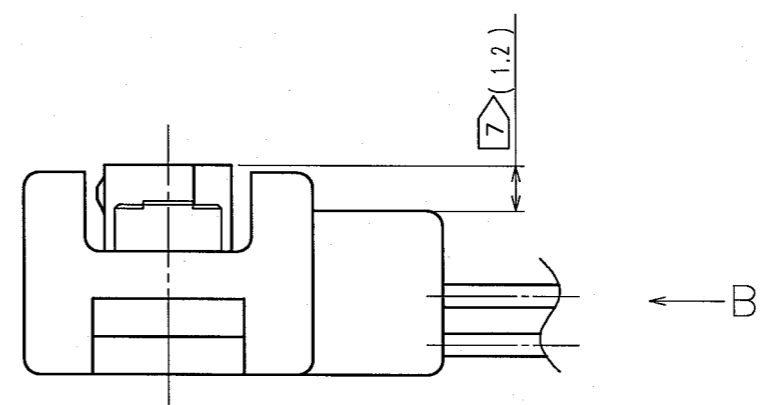
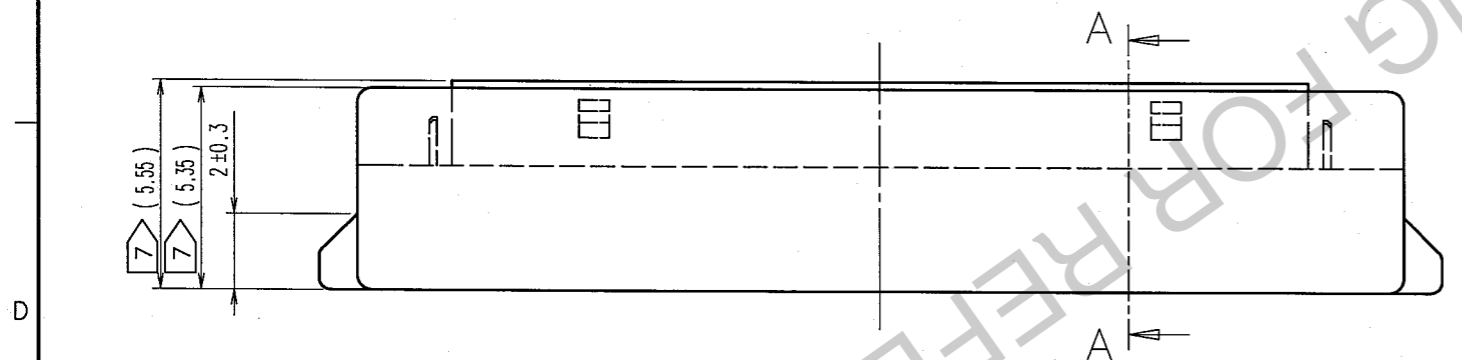
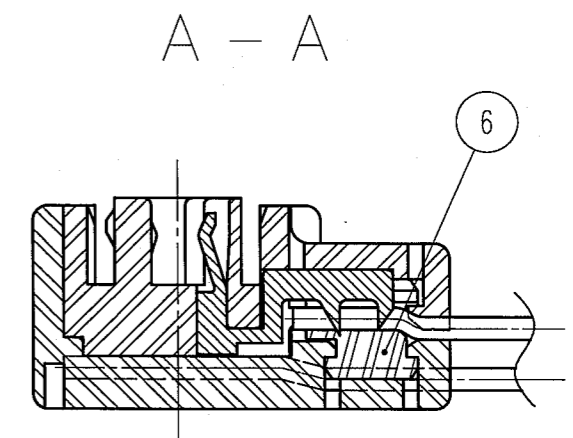
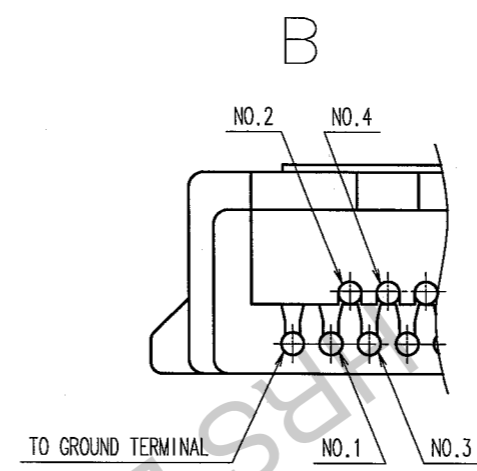
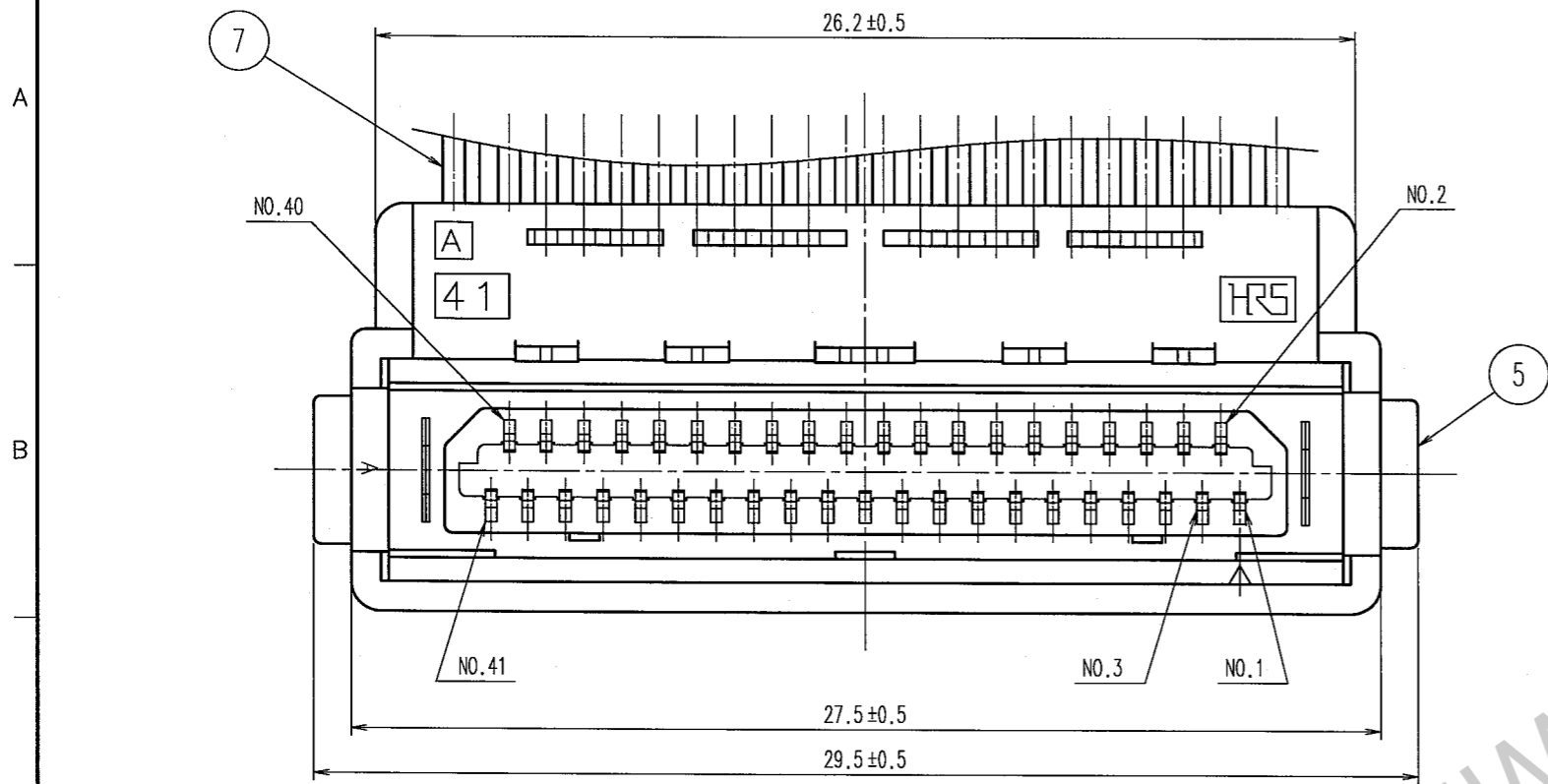
  

SCALE	DRAWING NO.	PART NO.
5 : 1	EDC3-160926-05	DF9M-41S-1R(05)

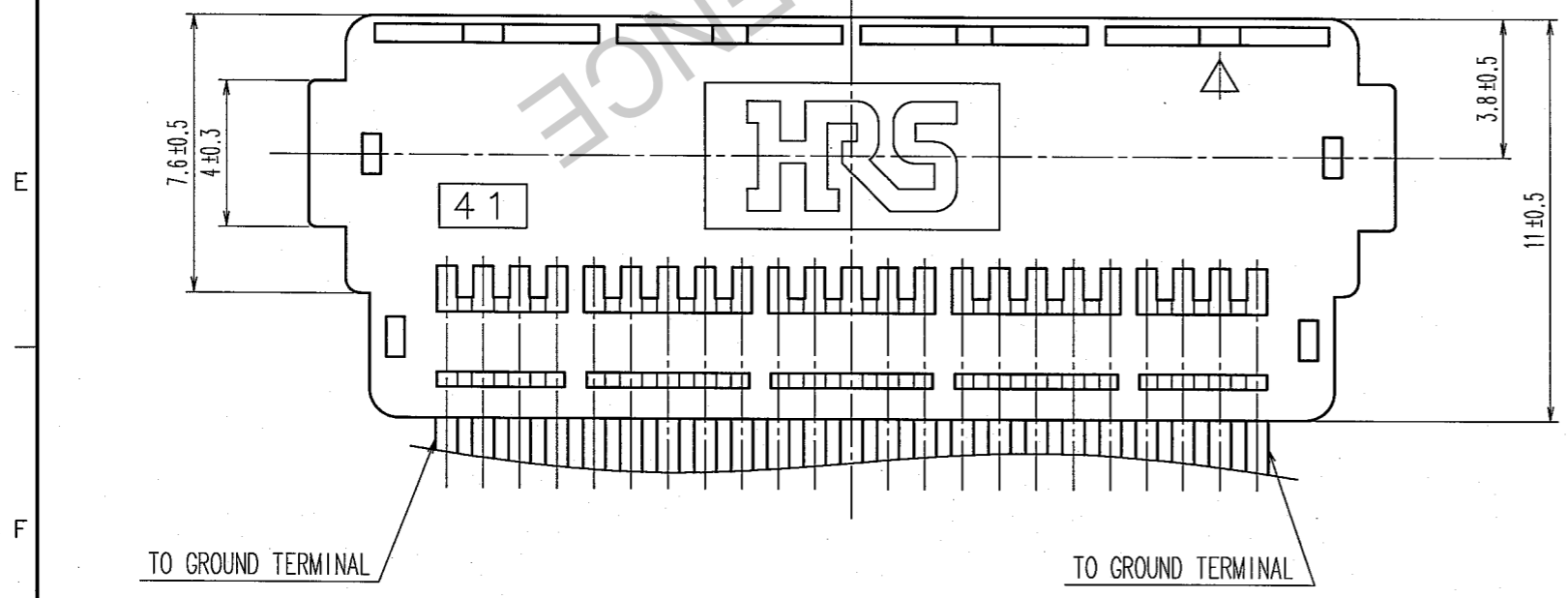
  

UNITS	CODE NO.	1/2
mm	CL540-0234-1-05	

COUNT	DESCRIPTION OF REVISIONS	BY	CHKD	DATE	COUNT	DESCRIPTION OF REVISIONS	BY	CHKD	DATE
△					△				
△					△				
△					△				



NOTES 4: THIS DRAWING SHOWS CABLE ASSEMBLY CONDITION.  
 5: STACKING HEIGHT BETWEEN A HEAD OF DF9M-41S-1R(05) AND PCB SURFACE IS 6.8 mm.  
 6: FROM PARTS NO.1 TO 4 SHOW DF9M-41S-1R(05). PARTS NO.5 SHOWS DF9M-41S-1R-PA. PARTS NO.6 SHOWS DF9M-41S-1R-PB.  
 7 THIS DIMENSION FOR REFERENCE, BECAUSE OF CONTROL BY IDC HEIGHT. (SEE WORK INSTRUCTION)



TO

CODE NO. (OLD)	DRAWN	DESIGNED	CHECKED	APPROVED	RELEASED
	<i>H. Morikami</i>	<i>J. Ooi</i>	<i>T. Miyazaki</i>	<i>M. Nakamura</i>	
	<i>06.01.24</i>	<i>06.01.24</i>	<i>06.01.24</i>	<i>06.01.24</i>	
DRAWING NO. EDC3-160926-05	PART NO. DF9M-41S-1R(05)		CODE NO. CL540-0234-1-05		
SCALE 5 : 1	UNITS mm		HRS HIROSE ELECTRIC CO., LTD.		

