



Chipsmall Limited consists of a professional team with an average of over 10 year of expertise in the distribution of electronic components. Based in Hongkong, we have already established firm and mutual-benefit business relationships with customers from,Europe,America and south Asia,supplying obsolete and hard-to-find components to meet their specific needs.

With the principle of “Quality Parts,Customers Priority,Honest Operation,and Considerate Service”,our business mainly focus on the distribution of electronic components. Line cards we deal with include Microchip,ALPS,ROHM,Xilinx,Pulse,ON,Everlight and Freescale. Main products comprise IC,Modules,Potentiometer,IC Socket,Relay,Connector.Our parts cover such applications as commercial,industrial, and automotives areas.

We are looking forward to setting up business relationship with you and hope to provide you with the best service and solution. Let us make a better world for our industry!



Contact us

Tel: +86-755-8981 8866 Fax: +86-755-8427 6832

Email & Skype: info@chipsmall.com Web: www.chipsmall.com

Address: A1208, Overseas Decoration Building, #122 Zhenhua RD., Futian, Shenzhen, China



Magnetically Compensated Choke, 1-phase, flat design



Description

- Current compensated choke
- 1-phase choke
- THT-terminals
- Inductor horizontally positioned in housing
- SMD version on request

Standards

- EN 60938
- UL 1283
- CSA 22.2 no 8

Applications

- Attenuation of common mode interferences
- Designed for 230/400 VAC applications
- Chopper amplifiers
- DC drives and stepper motor controls
- Switching power supplies

Weblinks

[pdf datasheet](#), [html-datasheet](#), [General Product Information](#), [Approvals](#), [CE declaration of conformity](#), [RoHS](#), [CHINA-RoHS](#), [REACH](#), [Distributor-Stock-Check](#), [Detailed request for product](#), [SPICE Library](#)

Technical Data

Rated voltage	up to 440 VAC
Rated Current	0.4 - 6.3A @ Ta 40 °C
Rated inductance	0.6 - 40 mH, Tol. -30% +50%
Power Operating Frequency	50 - 400 Hz
Terminal Type	THT
Weight	5 - 16g
Material: Housing	UL 94V-0
Sealing Compound	UL 94V-0

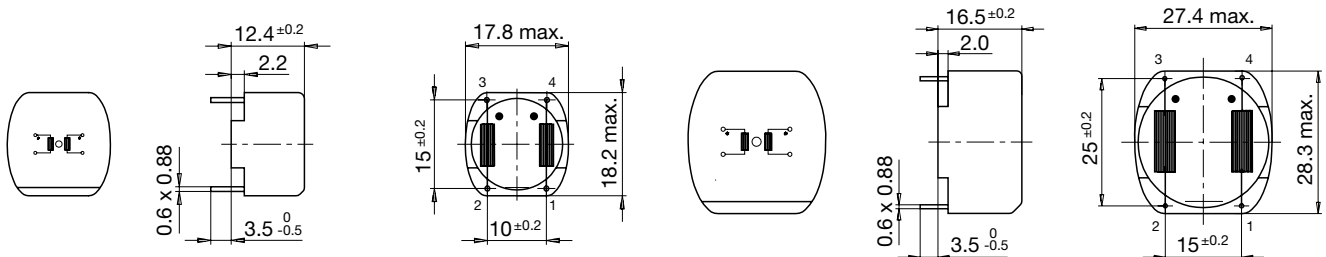
Test Voltage	1.8kV, 50Hz, 1 min, winding to winding
Isolation Voltage	2kV eff., winding to ambient
Climatic Category	25/100/21 acc. to IEC 60068-1
Allowable Operation Temp.	-25 °C to 100 °C

Detailed information on product approvals, code requirements, usage instructions and detailed test conditions can be looked up in [General Product Information](#)

Dimension

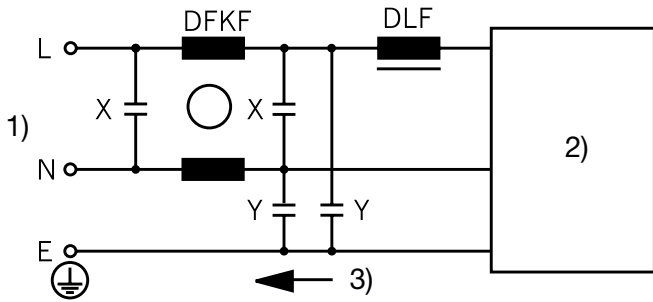
Case 04-2

Case 15-2



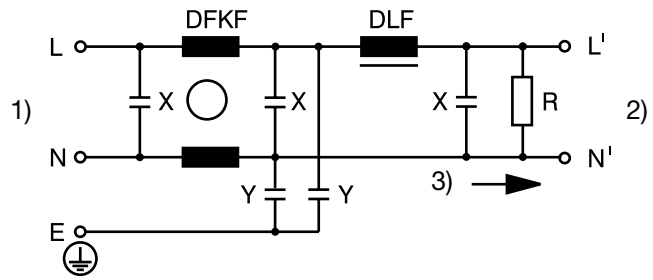
Diagrams

RFI suppression of switching power supply



- 1) Power line
- 2) Switching Power Supply
- 3) Interference current

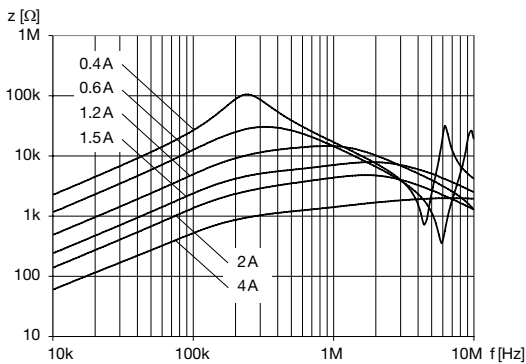
Noise suppression filter



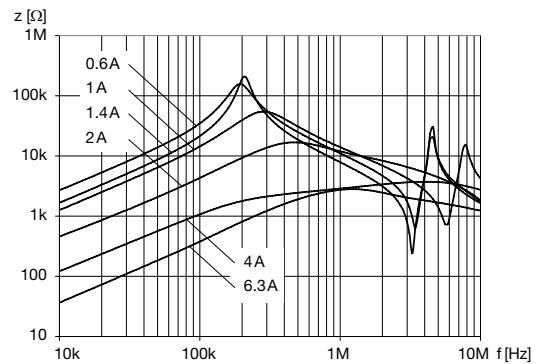
- 1) Power line
- 2) Equipment
- 3) Interference current

Impedance curves

DFKF-18-xxxx



DFKF-28-xxxx



All Variants

I_n [A]	L_n [mH]	R_{cu} [mΩ]	Power _{loss} [W]	f_{RES} [MHz]	Weight [g]	Housings	Packing unit [pcs.]	Order Number
0.4	40	1200	0.4	0.11	5g	04-2	48	DFKF-18-0001
0.6	40	1000	0.7	0.2	16g	15-2	40	DFKF-28-0001
1	20	360	0.7	0.28	16g	15-2	40	DFKF-28-0002
1.2	6.8	200	0.6	0.45	5g	04-2	45	DFKF-18-0003
1.4	27	310	-	-	16g	15-2	40	DFKF-28-0003
1.5	3.3	110	0.5	1.2	5g	04-2	45	DFKF-18-0004
2	1.8	60	-	-	5g	04-2	45	DFKF-18-0005
2	6	100	0.8	0.3	16g	15-2	40	DFKF-28-0004
4	0.7	16	0.5	2.5	5g	04-2	45	DFKF-18-0006
4	1.5	28	0.9	1.3	16g	15-2	40	DFKF-28-0005
6.3	0.6	13	1	2.5	16g	15-2	40	DFKF-28-0006

Most Popular.

Availability for all products can be searched real-time: <http://www.schurter.com/en/Stock-Check/Stock-Check-SCHURTER>