



Chipsmall Limited consists of a professional team with an average of over 10 year of expertise in the distribution of electronic components. Based in Hongkong, we have already established firm and mutual-benefit business relationships with customers from,Europe,America and south Asia,supplying obsolete and hard-to-find components to meet their specific needs.

With the principle of “Quality Parts,Customers Priority,Honest Operation,and Considerate Service”,our business mainly focus on the distribution of electronic components. Line cards we deal with include Microchip,ALPS,ROHM,Xilinx,Pulse,ON,Everlight and Freescale. Main products comprise IC,Modules,Potentiometer,IC Socket,Relay,Connector.Our parts cover such applications as commercial,industrial, and automotives areas.

We are looking forward to setting up business relationship with you and hope to provide you with the best service and solution. Let us make a better world for our industry!



## Contact us

Tel: +86-755-8981 8866 Fax: +86-755-8427 6832

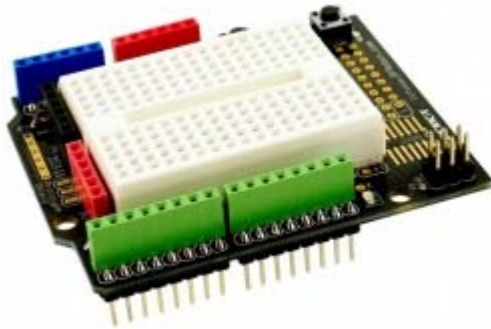
Email & Skype: info@chipsmall.com Web: www.chipsmall.com

Address: A1208, Overseas Decoration Building, #122 Zhenhua RD., Futian, Shenzhen, China





## Prototyping Shield For Arduino



Prototyping Shield For Arduino (SKU: DFR0019)

### Contents

- 1 Introduction
- 2 Specification
- 3 Interface Ports
- 4 Instructions
- 5 Trouble shooting

### Introduction

- PCB used for Arduino Prototyping
- Multilayer PCB design
- All hardware included
- Soldering and assembly required

The *DFRobot Arduino Prototyping Shield* allows you to create a small prototyping board to connect the Arduino Microcontroller. Prior soldering experience is recommended. The components can be welded directly on the board. You can also connect the above mini-bread board circuit. The white Mini-bread Board is included in the package, other colors will be sold separately.

The ProtoShield prototype extension board and two buttons can be used directly with two LED circuits. Power of all pins has led to very fit. The DFRobot Arduino Prototyping Shield builds the circuit with the prototype.

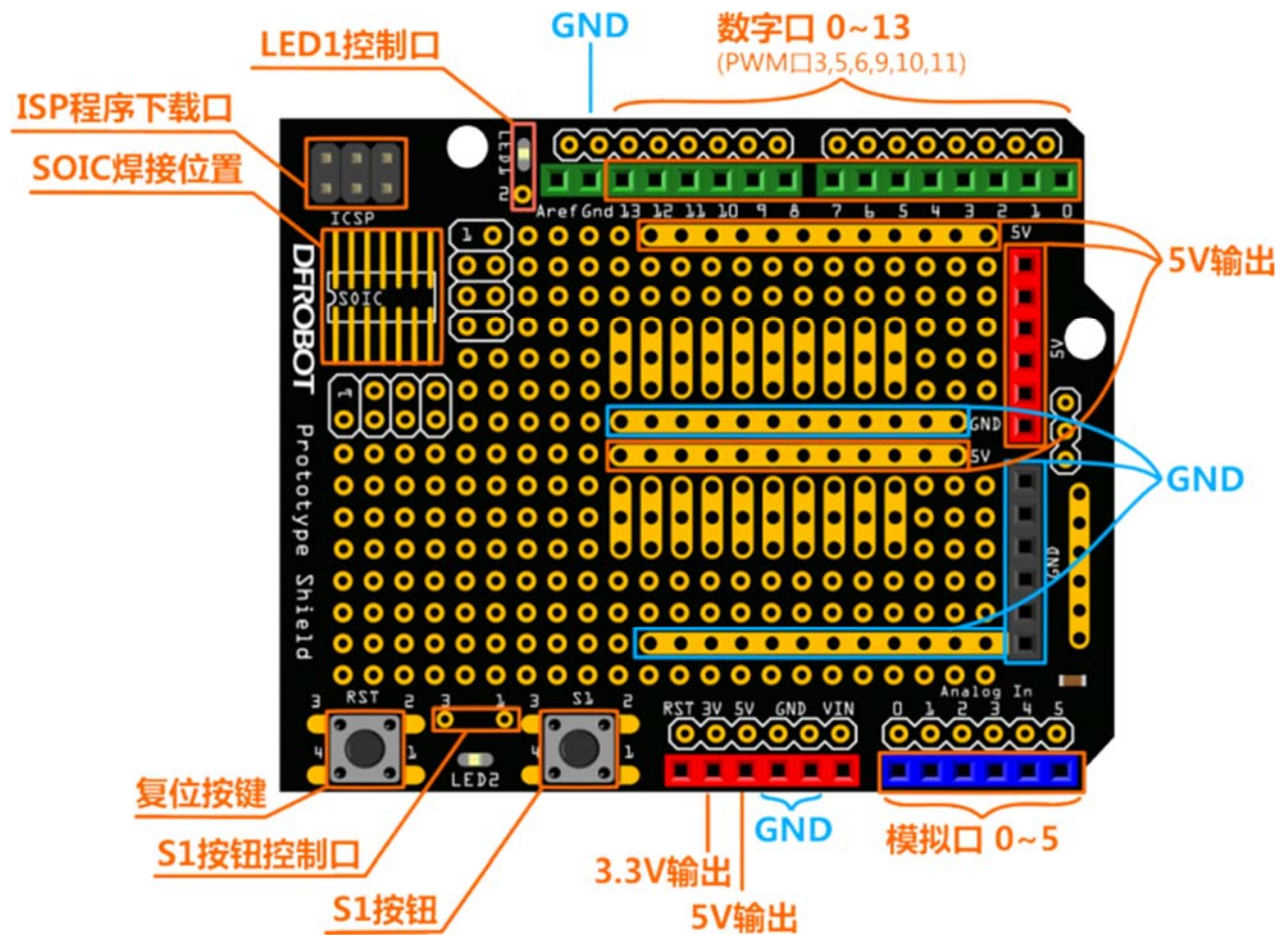


## Specification

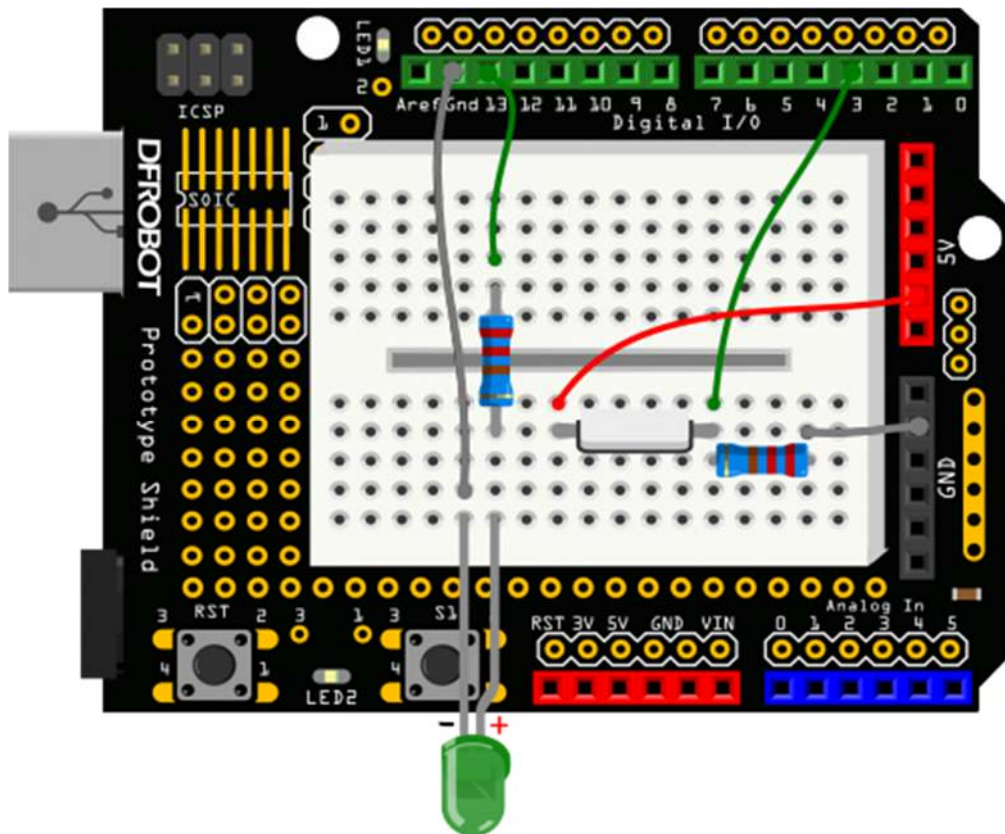
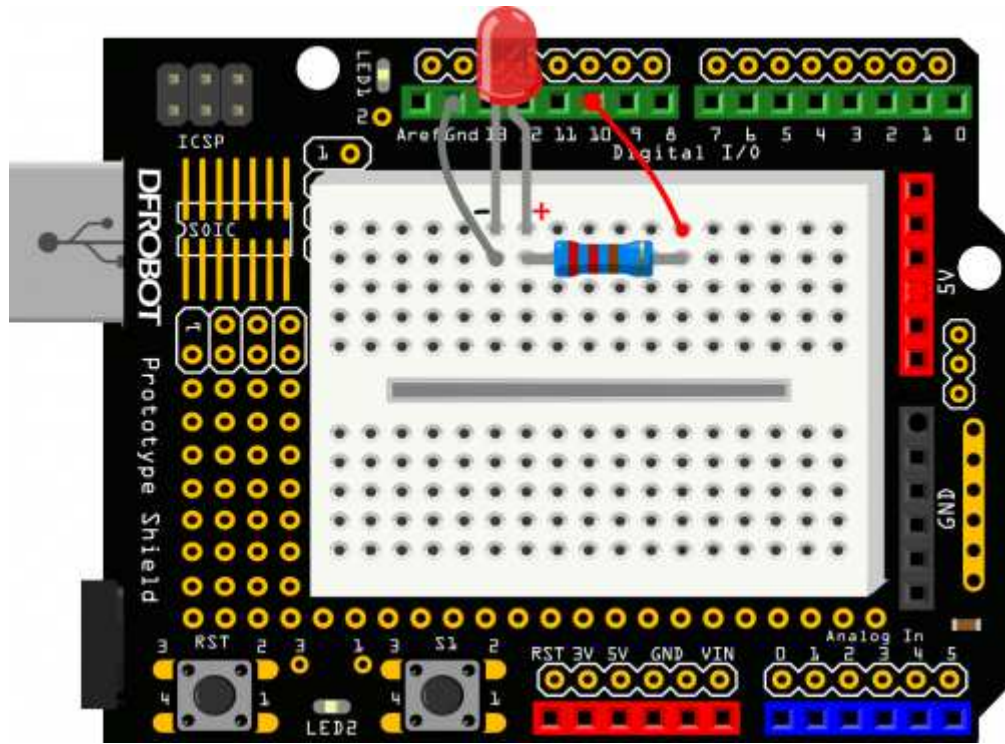
- All Arduino pins are brought to the top level
- 5V, GND, and Vin pins are exposed as well
- BlueSMiRF socket for wireless communication between Arduinos
- 2 general use LEDs
- 1 general use button
- Reset button brought to top level

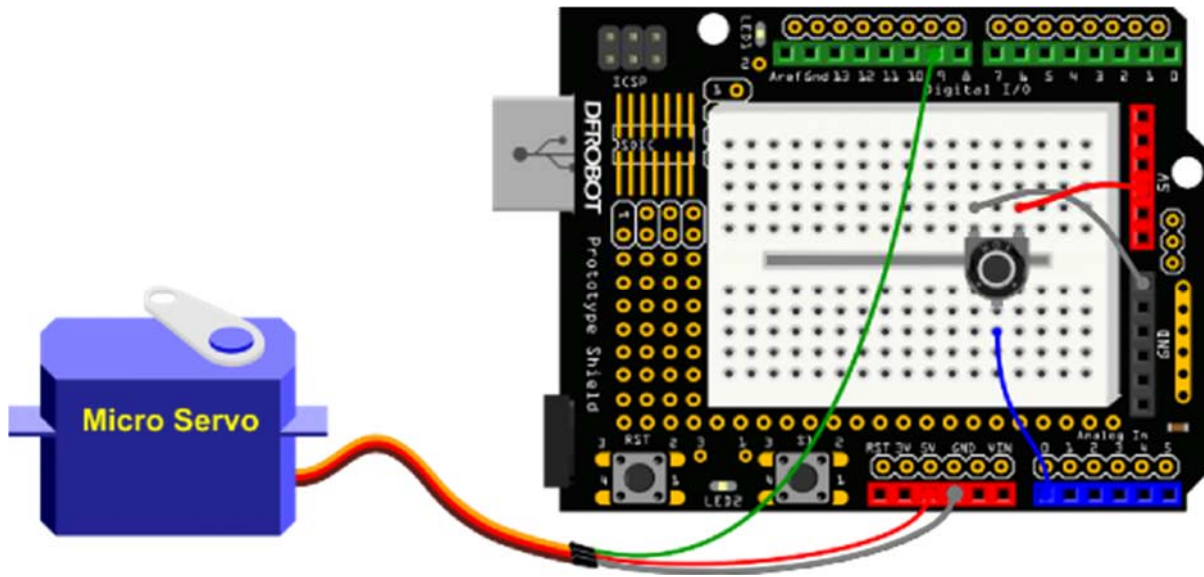
## Shield diagram

### Interface Ports



# Instructions





Trouble shooting

More question and cool idea,visit [DFRobot Forum](#)