



Chipsmall Limited consists of a professional team with an average of over 10 year of expertise in the distribution of electronic components. Based in Hongkong, we have already established firm and mutual-benefit business relationships with customers from,Europe,America and south Asia,supplying obsolete and hard-to-find components to meet their specific needs.

With the principle of “Quality Parts,Customers Priority,Honest Operation,and Considerate Service”,our business mainly focus on the distribution of electronic components. Line cards we deal with include Microchip,ALPS,ROHM,Xilinx,Pulse,ON,Everlight and Freescale. Main products comprise IC,Modules,Potentiometer,IC Socket,Relay,Connector.Our parts cover such applications as commercial,industrial, and automotives areas.

We are looking forward to setting up business relationship with you and hope to provide you with the best service and solution. Let us make a better world for our industry!



## Contact us

Tel: +86-755-8981 8866 Fax: +86-755-8427 6832

Email & Skype: info@chipsmall.com Web: www.chipsmall.com

Address: A1208, Overseas Decoration Building, #122 Zhenhua RD., Futian, Shenzhen, China





## **Gravity: Digital Colorful Flashing LED Module**

---

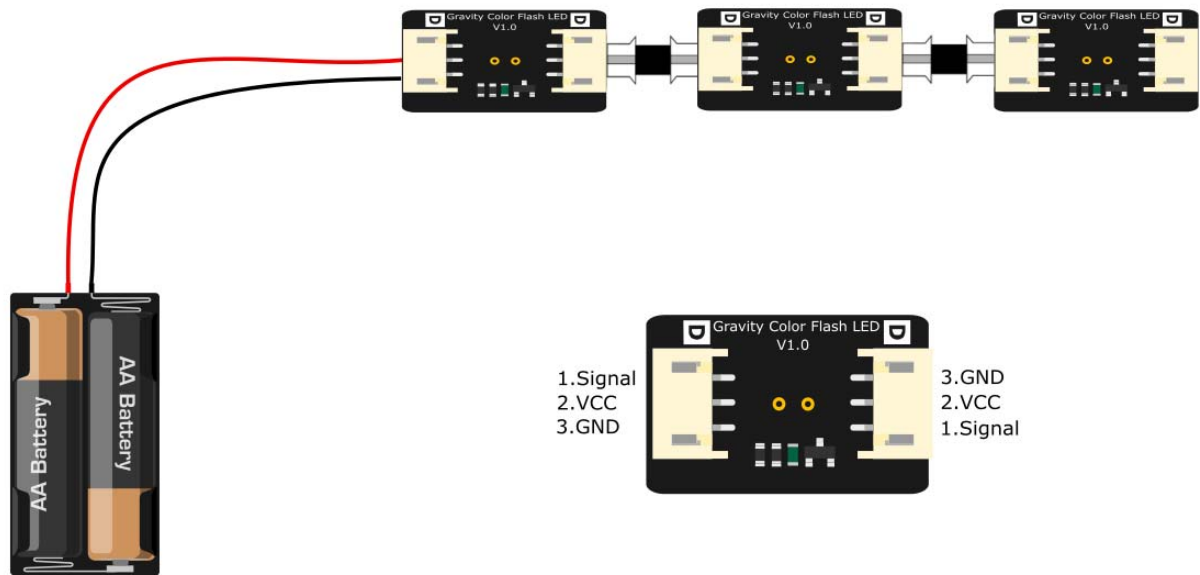
**SKU:DFR0474**

### **INTRODUCTION**

Gravity Colorful LED is an LED twinkles with seven colors--the colors of rainbow. It is easy to light up the LED. Turn on the power, then the LED will light up without programming. The built-in controller controls the colors and duration randomly, which makes it shine like a colorful star. Moreover, the module supports cascade control, only one interface can control all LEDs.

Gravity Colorful LED, simple but romantic, modest but tasteful. It is really an ideal light to create relaxed and harmonious atmosphere.





3.3~5V DC Power Supply

Note: It can't control the LED color, but you can turn on/off with signal interface.

## SPECIFICATION

- Input Voltage: 3.3-5.0V
- Drive Current: 25mA (MAX)
- Interface Type: Gravity-3Pin (Digital)
- Size: 25 \* 16 mm / 0.98 \* 0.63 inches
- Weight: 12 g

## SHIPPING LIST

- Gravity: Digital Colorful Flashing LED Module x1
- PH2.0-3Pin cable (80mm) x1
- Gravity-3Pin Scattered XH2.54 Cable (30cm) x1
- Double sponge rubber x1

