



Chipsmall Limited consists of a professional team with an average of over 10 year of expertise in the distribution of electronic components. Based in Hongkong, we have already established firm and mutual-benefit business relationships with customers from,Europe,America and south Asia,supplying obsolete and hard-to-find components to meet their specific needs.

With the principle of “Quality Parts,Customers Priority,Honest Operation,and Considerate Service”,our business mainly focus on the distribution of electronic components. Line cards we deal with include Microchip,ALPS,ROHM,Xilinx,Pulse,ON,Everlight and Freescale. Main products comprise IC,Modules,Potentiometer,IC Socket,Relay,Connector.Our parts cover such applications as commercial,industrial, and automotives areas.

We are looking forward to setting up business relationship with you and hope to provide you with the best service and solution. Let us make a better world for our industry!



## Contact us

Tel: +86-755-8981 8866 Fax: +86-755-8427 6832

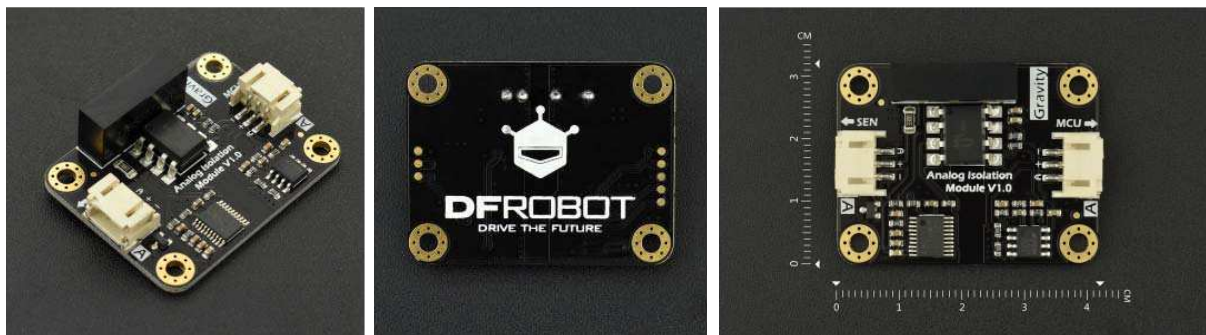
Email & Skype: info@chipsmall.com Web: www.chipsmall.com

Address: A1208, Overseas Decoration Building, #122 Zhenhua RD., Futian, Shenzhen, China



# Gravity: Analog Signal Isolator

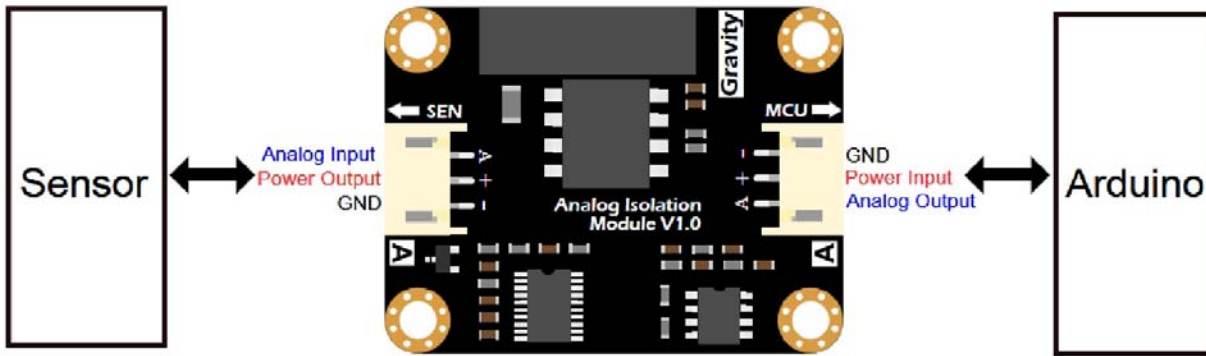
SKU:DFR0504



## INTRODUCTION

The Analog Signal Isolator can isolate analog signal and provide isolated power to sensors. It can effectively prevent sensor signal interference and apply to multi-parameter water quality monitoring sensors. Because usually sensors will be interfered by the other sensors during the measurement, especially those sensors in water quality monitoring system. For example, pH sensor (pH meter) will be affected by the electrical conductivity sensor (EC meter).

The common solution is to isolate the power supply. Once you put them into the same container and share the same power supply, their value won't be interfered by each other. This analog signal isolator is designed for this situation, it will isolate the analog signal and provide isolated power to the sensors. It has an on-board 5V isolated power IC, and compatible with Gravity-3Pin interface, plug and play, no need for soldering. The transform rate is 1:1, which means analog values in two sides should remain the same.



*Gravity: Analog Signal Isolator Interface*

The isolator is compatible with almost all analog output sensors of many types produced by DFRobot.

**Caution:**

- 1.MCU should provide 5.0±0.1V power supply and it decides the final output precision.
- 2.The module will consume a large current when it is working, you'd better to use an external power supply.
- 3.The MAX output current of SEN terminal is 170mA.
- 4.The GNDs of SEN and MCU are isolated, please DO NOT connect them together.
- 5.It will be a little warm when it is working.

**SPECIFICATION**

- Operating Voltage: 5.0V
- Response Time: 4 seconds (Typ)
- Analog Error (both ends): <± 20mV (Typ)
- Interface Type: PH2.0-3P
- No load Current: 75mA
- Dimension: 42 \* 32mm / 1.65 \* 1.26 inch
- **Non-isolated Terminal (Arduino Side)**

Supply Voltage: 5.0 ± 0.1V

Analog Output: 0 ~ 5.0V

- **Isolated Terminal (Sensor Side)**

Output Voltage: 5.0 ± 0.2V

Analog Input: 0 ~ 5.0V

**SHIPPING LIST**

- Gravity: Analog Signal Isolator x1
- PH2.0-3P Cable x2