



Chipsmall Limited consists of a professional team with an average of over 10 year of expertise in the distribution of electronic components. Based in Hongkong, we have already established firm and mutual-benefit business relationships with customers from,Europe,America and south Asia,supplying obsolete and hard-to-find components to meet their specific needs.

With the principle of “Quality Parts,Customers Priority,Honest Operation,and Considerate Service”,our business mainly focus on the distribution of electronic components. Line cards we deal with include Microchip,ALPS,ROHM,Xilinx,Pulse,ON,Everlight and Freescale. Main products comprise IC,Modules,Potentiometer,IC Socket,Relay,Connector.Our parts cover such applications as commercial,industrial, and automotives areas.

We are looking forward to setting up business relationship with you and hope to provide you with the best service and solution. Let us make a better world for our industry!



Contact us

Tel: +86-755-8981 8866 Fax: +86-755-8427 6832

Email & Skype: info@chipsmall.com Web: www.chipsmall.com

Address: A1208, Overseas Decoration Building, #122 Zhenhua RD., Futian, Shenzhen, China



Saturating Choke



Approvals and Compliances

Description

- Saturating choke
- THT-terminals
- Based on laminated iron core
- Fully potted resin

Applications

- Phase angle control circuits with thyristors, triacs or transistors
- The choke acts at its optimum when it is mounted directly at the interference originator (thyristor, triac)

Weblinks

[pdf datasheet](#), [html-datasheet](#), [General Product Information](#), [Distributor-Stock-Check](#), [Detailed request for product](#)

Technical Data


Rated voltage	up to 440 VAC	Isolation Voltage	2 kV eff., winding to ambient
Rated Current	0.8 - 10 A @ Ta 45 °C	Climatic Category	25/100/21 acc. to IEC 60068-1
Power Operating Frequency	50/60 Hz	Allowable Operation Temp.	-25 °C to 100 °C
Terminal Type	THT, Flexible wire		
Weight	14 - 86 g		
Material: Housing	UL 94V-0		
Sealing Compound	UL 94V-0		

Approvals and Compliances

Detailed information on product approvals, code requirements, usage instructions and detailed test conditions can be looked up in [Details about Approvals](#)





Application standards

Application standards where the product can be used

Organization	Design	Standard	Description
	Designed for applications acc.	IEC/UL 60950	IEC 60950-1 includes the basic requirements for the safety of information technology equipment.

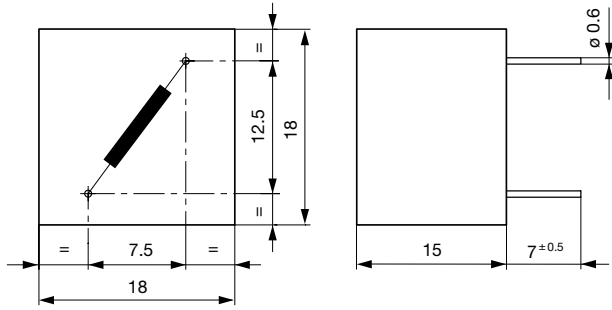
Compliances

The product complies with following Guide Lines

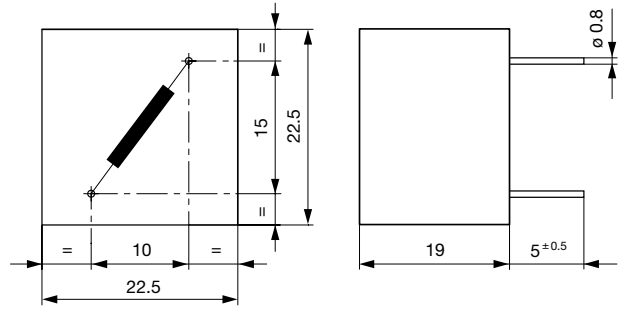
Identification	Details	Initiator	Description
	CE declaration of conformity	SCHURTER AG	The CE marking declares that the product complies with the applicable requirements laid down in the harmonisation of Community legislation on its affixing in accordance with EU Regulation 765/2008.
	RoHS	SCHURTER AG	EU Directive RoHS 2011/65/EU
	China RoHS	SCHURTER AG	The law SJ / T 11363-2006 (China RoHS) has been in force since 1 March 2007. It is similar to the EU directive RoHS.
	REACH	SCHURTER AG	On 1 June 2007, Regulation (EC) No 1907/2006 on the Registration, Evaluation, Authorization and Restriction of Chemicals 1 (abbreviated as "REACH") entered into force.

Dimension [mm]

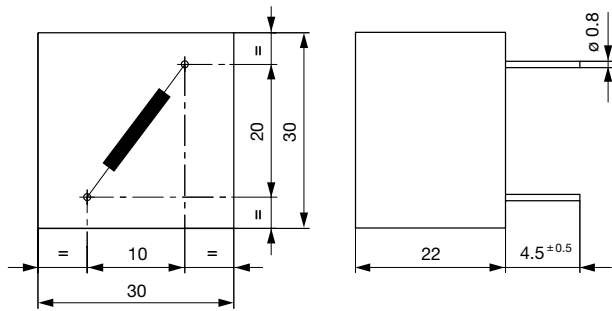
Case 00



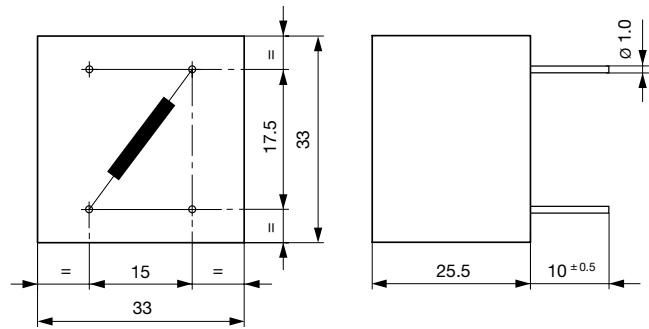
Case 08



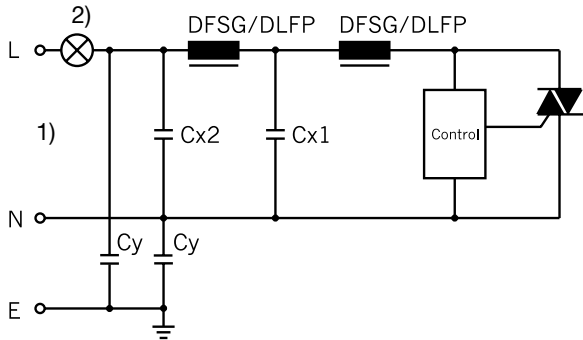
Case 17



Case 21

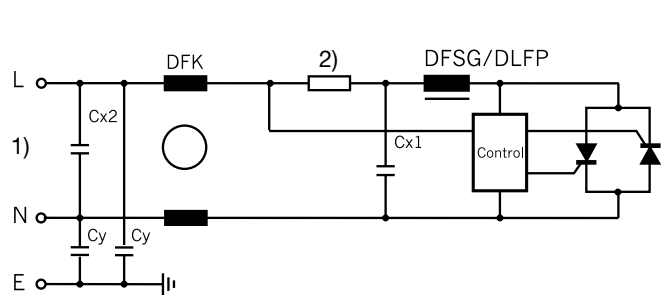


Diagrams



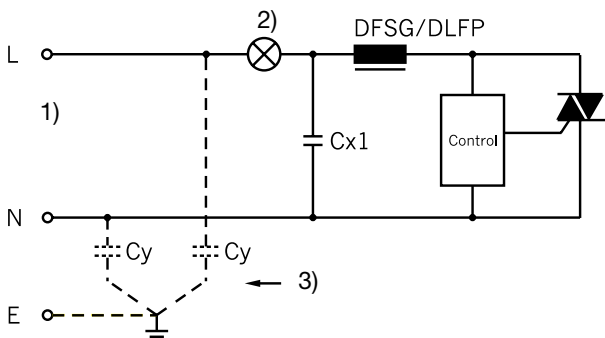
Interference suppression with resistive load, 2-phase

- 1) Line
- 2) Load



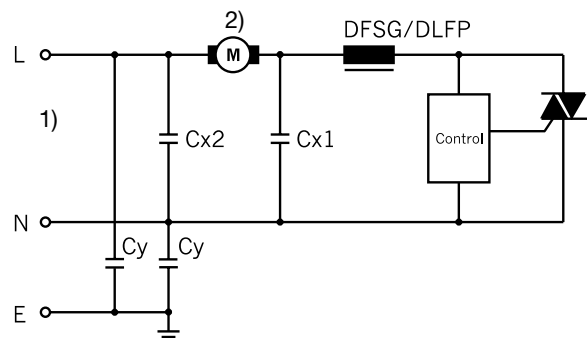
Interference suppression with resistive load, 2-stage

- DFSG: Radio interference suppression saturation choke
- DFK: Radio interference suppression choke magnetically condensated
- 1) Line
- 2) Load



Interference suppression with resistive load, < 10A, e.g. dimmers circuit (DFSG)

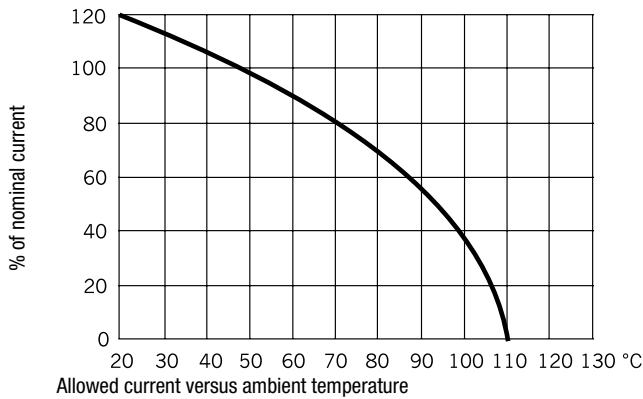
- 1) Line
- 2) Load
- 3) only to protection class I



Interference suppression with inductive load

- 1) Line
- 2) Load

Derating Curves



All Variants

I_n [A]	R_{cu} [mΩ]	Weight [g]	Housings	Packing unit [pcs.]	Order Number
0.8	1300	14g	00	90	DFSG-20-0001
1.5	450	14g	00	90	DFSG-20-0002
2	260	29g	08	25	DFSG-25-0001
3	100	29g	08	25	DFSG-25-0002
3	165	55g	17	30	DFSG-30-0001
6	60	55g	17	30	DFSG-30-0002
5	70	86g	21	30	DFSG-33-0001
10	30	86g	21	30	DFSG-33-0002

Most Popular.

I_n [A]	R_{cu} [mΩ]	Weight [g]	Housings	Packing unit [pcs.]	Order Number
-----------	---------------	------------	----------	---------------------	--------------

Availability for all products can be searched real-time: <https://www.schurter.com/en/Stock-Check/Stock-Check-SCHURTER>
