



Chipsmall Limited consists of a professional team with an average of over 10 year of expertise in the distribution of electronic components. Based in Hongkong, we have already established firm and mutual-benefit business relationships with customers from,Europe,America and south Asia,supplying obsolete and hard-to-find components to meet their specific needs.

With the principle of "Quality Parts,Customers Priority,Honest Operation,and Considerate Service",our business mainly focus on the distribution of electronic components. Line cards we deal with include Microchip,ALPS,ROHM,Xilinx,Pulse,ON,Everlight and Freescale. Main products comprise IC,Modules,Potentiometer,IC Socket,Relay,Connector.Our parts cover such applications as commercial,industrial, and automotives areas.

We are looking forward to setting up business relationship with you and hope to provide you with the best service and solution. Let us make a better world for our industry!



Contact us

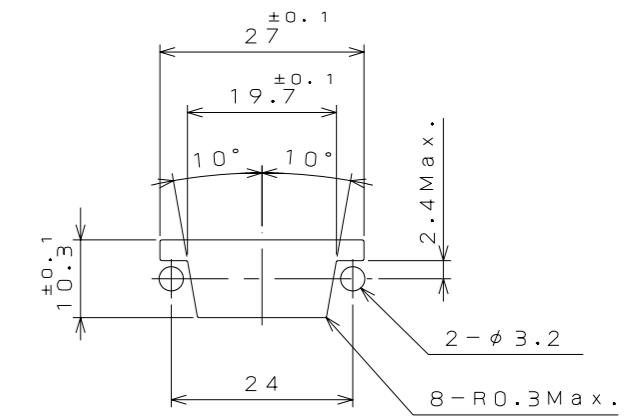
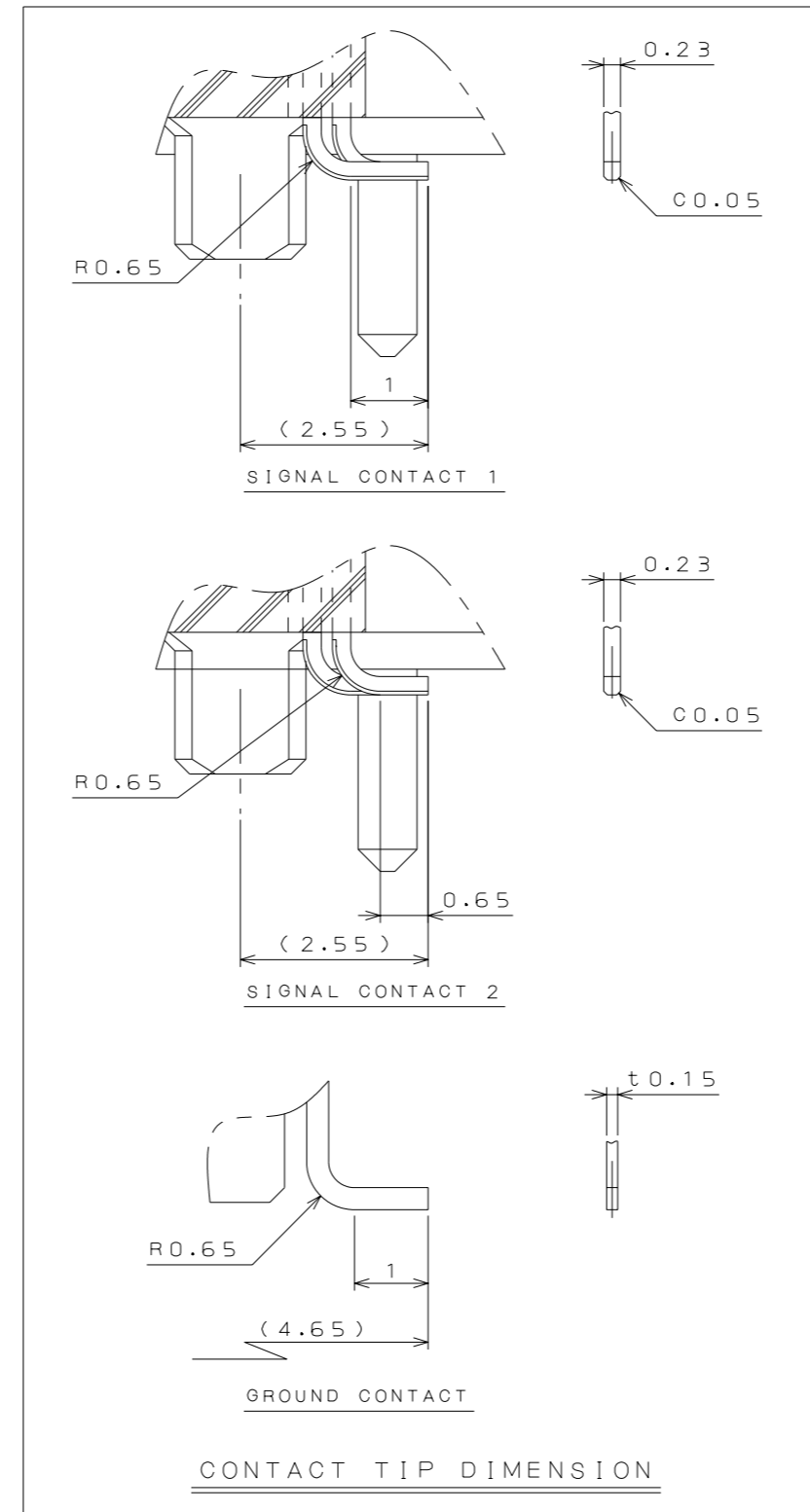
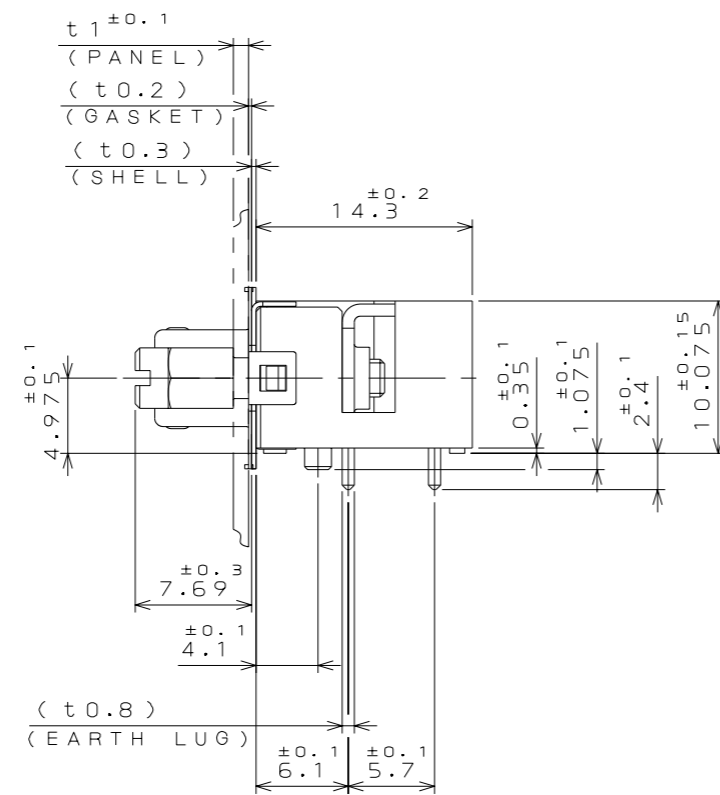
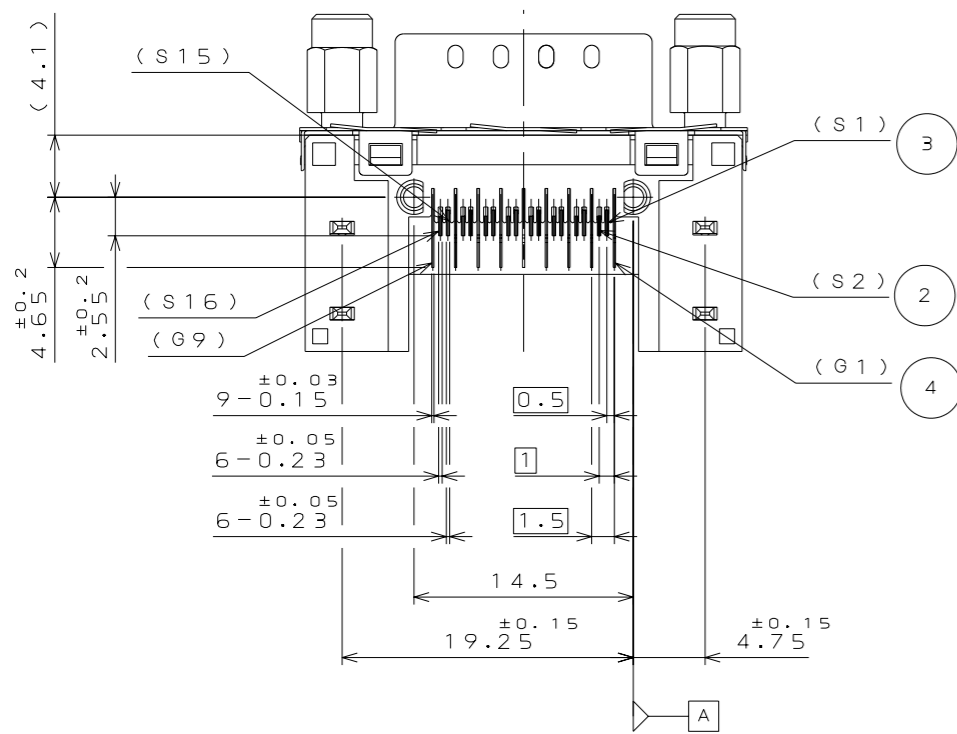
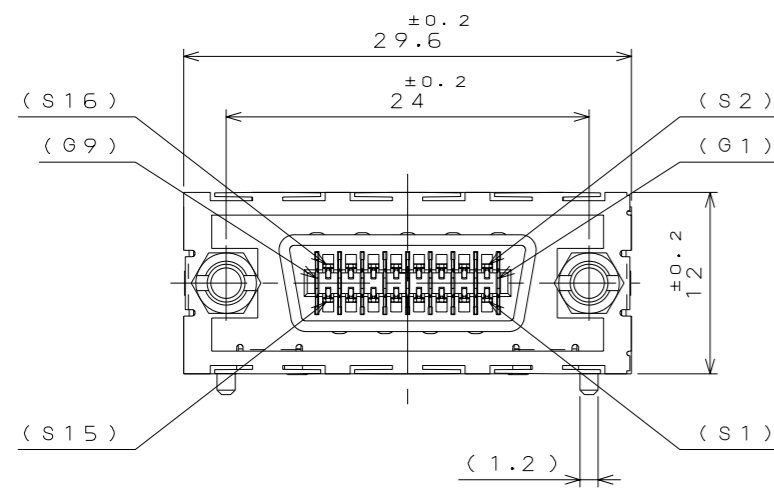
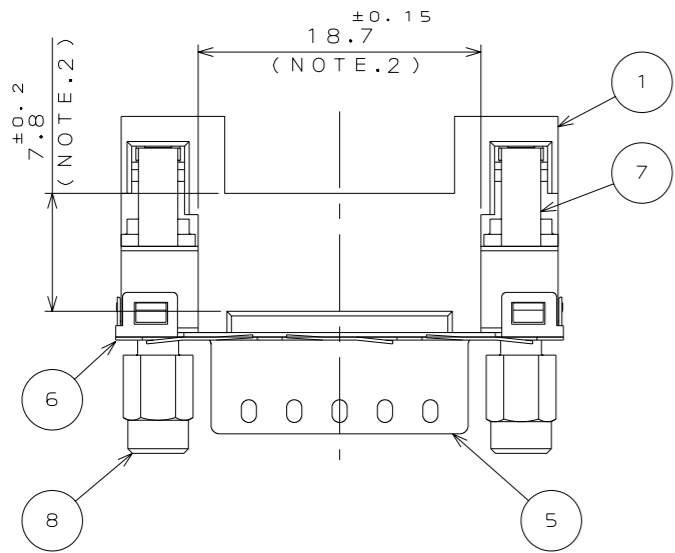
Tel: +86-755-8981 8866 Fax: +86-755-8427 6832

Email & Skype: info@chipsmall.com Web: www.chipsmall.com

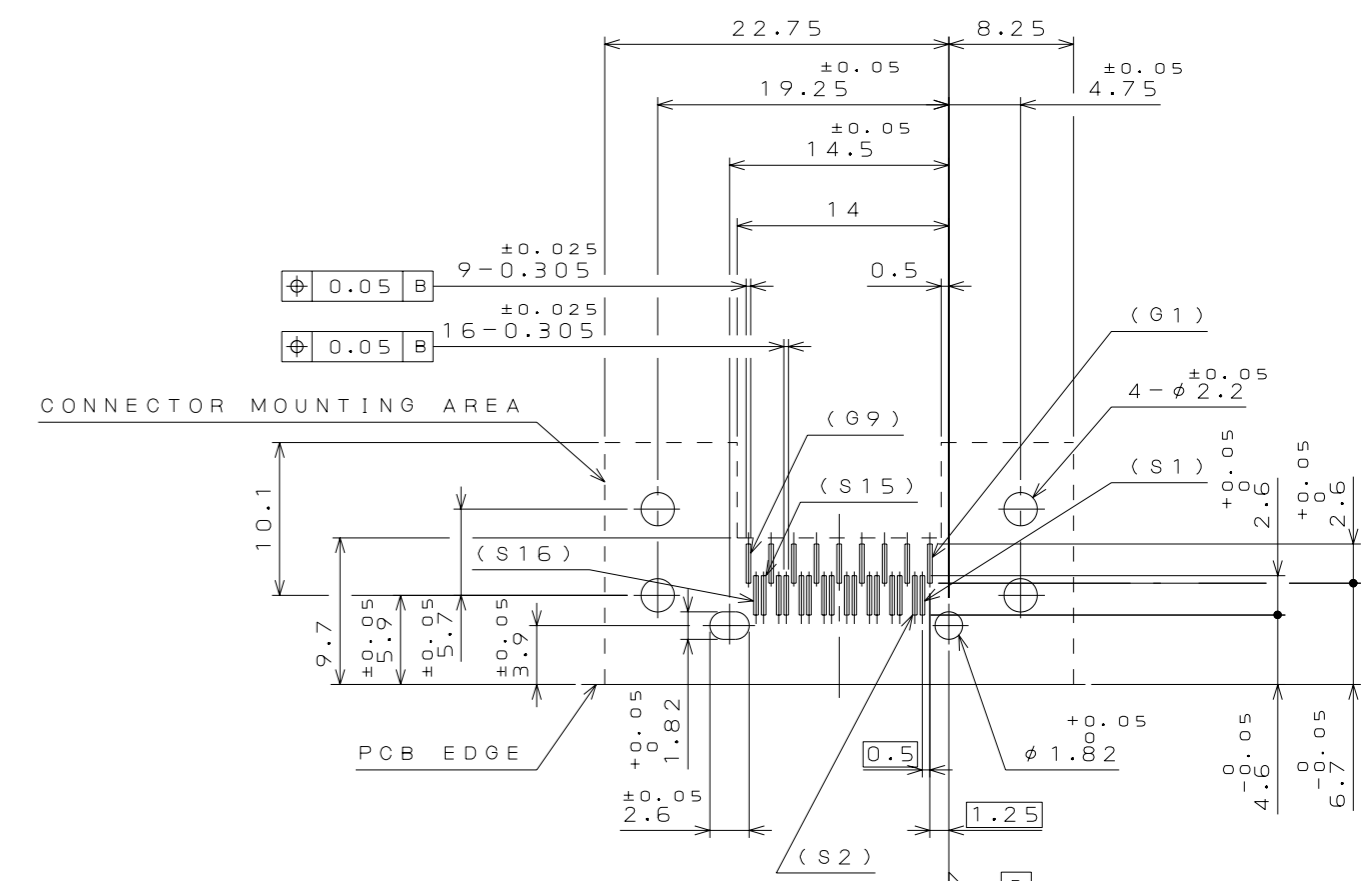
Address: A1208, Overseas Decoration Building, #122 Zhenhua RD., Futian, Shenzhen, China



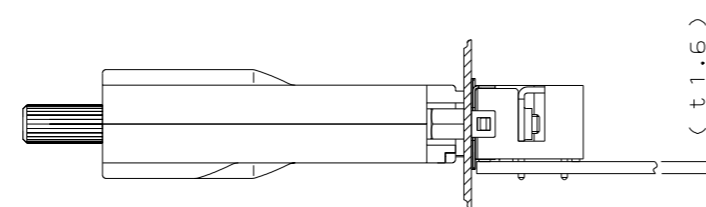
版数 REV.	年月日 DATE	DCN NO.	変更内容 DESCRIPTION	製図 DR.	担当 CHK.	査閲 APPD.	承認 APPD.
2	10ec.2005	058825	CHANGE RECOMMENDED TORQUE		K.KOTAKA		G.HAGA



PANEL CUTOUT DIMENSION
RECOMMENDED THICKNESS OF PANEL : 1 ± 0.1 mm



APPLICABLE P.C.B. DIMENSION(REF.)



MATED CONDITION(REF.)
嵌合状態図(参考)

NOTE 1. COPLANARITY IS 0.1mm MAXIMUM.
NOTE 2. THIS AREA IS VACUUMED SURFACE.
NOTE 3. LOCK SCREWS ARE NOT ASSEMBLED, WHEN SHIPPED.
△NOTE 4. USE LOCK SCREW WITH PANEL MOUNTED.
RECOMMENDED SCREW THREAD TORQUE IN THE STATE OF PANEL MOUNTED IS 0.20~0.30Nm.

注1.コプラナリティは0.1以下。
注2.本箇所は吸引面である。
注3.ロックスクリューは添付品である。
△注4.ロックスクリューはパネル実装状態で使用すること。
パネル実装状態での推奨締め付けトルクは0.20~0.30Nm。

REFERENCE ONLY
JAE

符号 NO.	名称 DESCRIPTION	個数 QTY.	材料 MATERIAL	仕上 FINISH	備考 REMARKS
8	LOCK SCREW	2	STEEL	Ni	
7	EARTH LUG	2	COPPER ALLOY	Sn	
6	GASKET	1	STAINLESS STEEL		
5	SHELL	1	STEEL	Ni	
4	GROUND CONTACT	9	COPPER ALLOY	MATING AREA: Au SMT AREA: Sn	
3	SIGNAL CONTACT 2	8	COPPER ALLOY	MATING AREA: Au SMT AREA: Sn	
2	SIGNAL CONTACT 1	8	COPPER ALLOY	MATING AREA: Au SMT AREA: Sn	
1	INSULATOR	1	GLASS FILLED LCP		COLOR: BLACK UL94V-0

仕様書(SPECIFICATION)	第1版(ORIGINAL DATE)	尺度(SCALE)	シリーズ(SERIES)	製図 DR.	担当 CHK.	査閲 APPD.	承認 APPD.	数量(MASS)	図面番号(DRAWING NO.)	版数 (REV.)
JACS-3284	2.Nov.2005	2:1	DG1		K.KOTAKA		G.HAGA		SJ105010	2

一般公差(GENERAL TOLERANCE)	角度(ANGLES)	名称(TITLE)
. ±0.8 .X ±0.4 .XX ±0.1 .XXX ±	X° ± X°X ±	DG1R025HSC (4X RECEPTACLE)