



Chipsmall Limited consists of a professional team with an average of over 10 year of expertise in the distribution of electronic components. Based in Hongkong, we have already established firm and mutual-benefit business relationships with customers from,Europe,America and south Asia,supplying obsolete and hard-to-find components to meet their specific needs.

With the principle of “Quality Parts,Customers Priority,Honest Operation,and Considerate Service”,our business mainly focus on the distribution of electronic components. Line cards we deal with include Microchip,ALPS,ROHM,Xilinx,Pulse,ON,Everlight and Freescale. Main products comprise IC,Modules,Potentiometer,IC Socket,Relay,Connector.Our parts cover such applications as commercial,industrial, and automotives areas.

We are looking forward to setting up business relationship with you and hope to provide you with the best service and solution. Let us make a better world for our industry!



Contact us

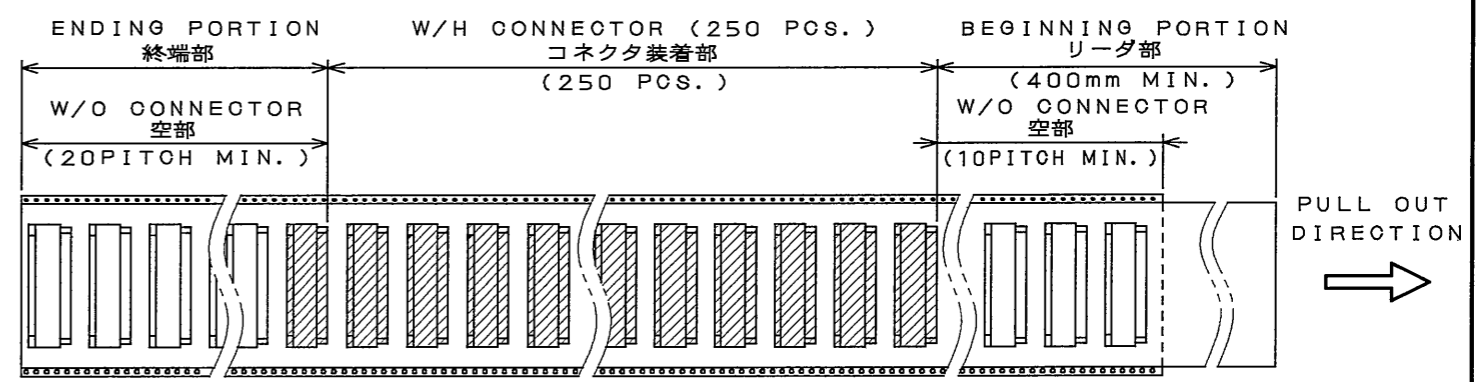
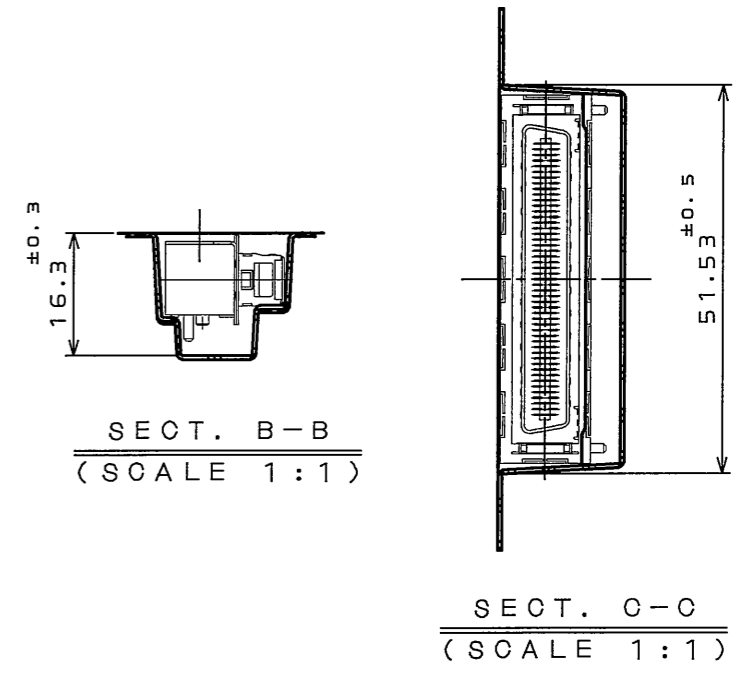
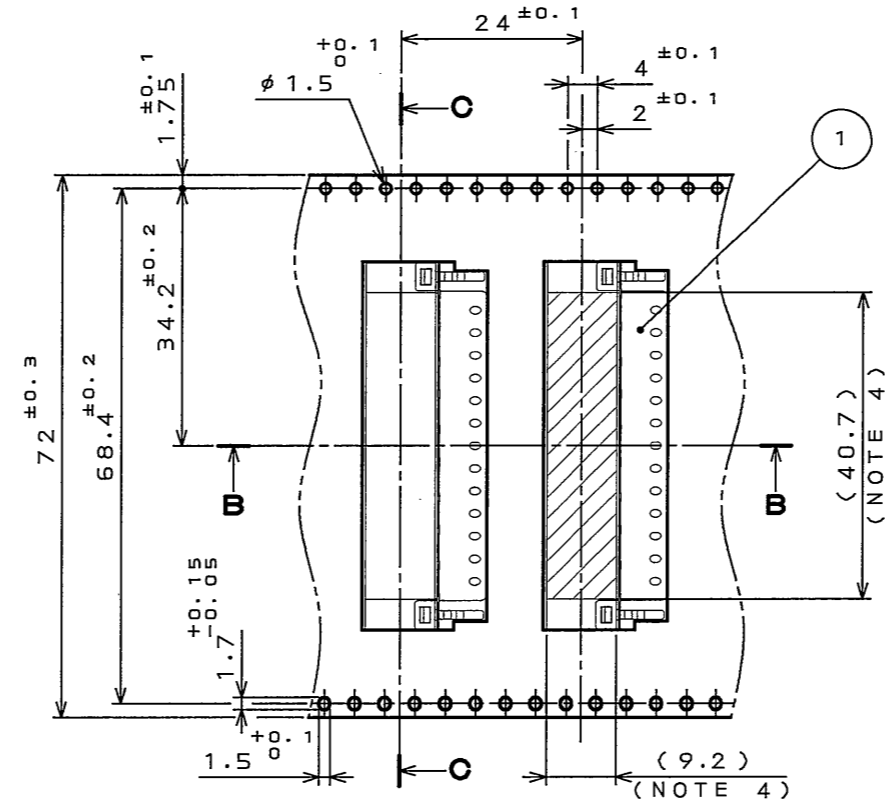
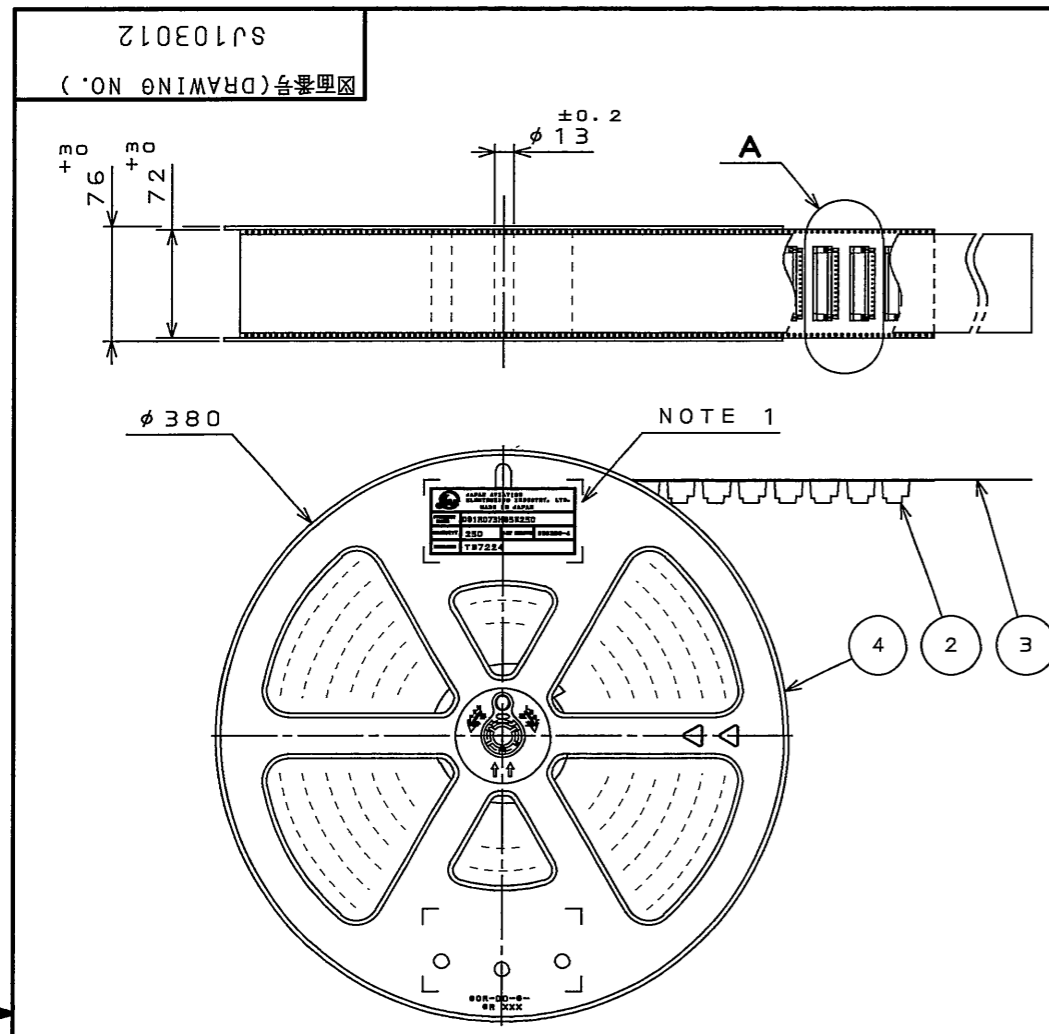
Tel: +86-755-8981 8866 Fax: +86-755-8427 6832

Email & Skype: info@chipsmall.com Web: www.chipsmall.com

Address: A1208, Overseas Decoration Building, #122 Zhenhua RD., Futian, Shenzhen, China



版数 REV.	年月日 DATE	DCN NO.	変更内容 DESCRIPTION	製図 DR.	担当 CHK.	査閲 APPD.	承認 APPD.



NOTE1. THE TABLE DETAILED IN FIGURE.1 IS DISPLAYED ON THIS PORTION.

NOTE2. SUFFIX "E250" OF PART NUMBER DG1R073HS5E250 INDICATES 250 PCS IN REEL.

NOTE3. REFER TO THE DRAWING SJ103011 FOR THE CONNECTOR DIMENSION.

NOTE4. THIS AREA () SHOWS THE CONNECTOR FLAT SURFACE.

注1. 図1に詳解される表が図示の位置にを表示される。

注2. "DG1R073HS5E250"は収納数250ヶ入りのリールに収納された品名を表す。

注3. コネクタ寸法は"SJ103011"を参照願います。

注4. 本箇所()はコネクタ平面部を示す。

FIGURE.1
NOTE.1

JAPAN AVIATION ELECTRONICS INDUSTRY, LTD. MADE IN JAPAN		Lot NO.(Ex.)	
PRODUCT NAME	DG1R073HS5E250	050530-4	
QUANTITY	250	LOT NUMBER	050530-4
REMARKS	T B 7 2 2 4	NO.4 REEL	
		2005, 5, 30	
		(YEAR, MONTH, DAY)	

符号 NO.	名称 DESCRIPTION	個数 QTY.	材料 MATERIAL	仕上 FINISH	備考 REMARKS
4	REEL	—	PLASTIC	—	—
3	COVER TAPE	—	POLYESTER	—	—
2	CARRIER TAPE	—	POLYSTYRENE	—	—
1	CONNECTOR	250	—	—	DG1R073HS5 SJ103011(NOTE3)

仕様書(SPECIFICATION)	第1版(ORIGINAL DATE) 30.May.2005	尺度(SCALE) 1:5	シリーズ(SERIES) DG1	日本航空電子工業株式会社 JAPAN AVIATION ELECTRONICS INDUSTRY, LTD.
公差(GENERAL TOLERANCE)	製図 DR.	名称(TITLE) DG1R073HS5E250		
寸法(DIMENSION) 角度(ANGLES)	担当 CHK. K.KOTAKA			
. ±0.8 X° ± .X ±0.4 X°X' ± .XX ±0.1 .XXX ±	査閲 APPD. 承認 APPD. <i>G. Haga</i>			
		質量(MASS)		図面番号(DRAWING NO.) SJ103012

DOF-0-212E(03.08)

