



Chipsmall Limited consists of a professional team with an average of over 10 year of expertise in the distribution of electronic components. Based in Hongkong, we have already established firm and mutual-benefit business relationships with customers from,Europe,America and south Asia,supplying obsolete and hard-to-find components to meet their specific needs.

With the principle of “Quality Parts,Customers Priority,Honest Operation,and Considerate Service”,our business mainly focus on the distribution of electronic components. Line cards we deal with include Microchip,ALPS,ROHM,Xilinx,Pulse,ON,Everlight and Freescale. Main products comprise IC,Modules,Potentiometer,IC Socket,Relay,Connector.Our parts cover such applications as commercial,industrial, and automotives areas.

We are looking forward to setting up business relationship with you and hope to provide you with the best service and solution. Let us make a better world for our industry!



Contact us

Tel: +86-755-8981 8866 Fax: +86-755-8427 6832

Email & Skype: info@chipsmall.com Web: www.chipsmall.com

Address: A1208, Overseas Decoration Building, #122 Zhenhua RD., Futian, Shenzhen, China



DG sub-sub-miniature switch



Technical specifications

Contact configuration	S.P.D.T.
Contact gap	< 3 mm
Switching voltage max.	125 VAC
Switched current	3 AAC
Operating force max.	75cN or 140cN without auxiliary actuator
Total travel	0,7 mm without auxiliary actuator
Mechanical life	> 1 x 10 ⁶ operation
Electrical life (max. load)	see table
Ambient temperature	-25°C to +85°C
Materials	
Base	PPS (UL 94V-0)
Cover	PBT (UL 94V-0)
Actuator	PBT (UL 94V-0)
Auxiliary actuator	Stainless steel
Terminals	CuZn striped silver-plated
Contacts	DG 1/4 AgNi
	DG2 AgNi, gal. Au
Approvals	US
Degree of protection (switch interior)	IP40

For detailed information and the layout of the details described above, please do not hesitate to ask for our technical specifications and drawing.

Features

- Very small size (only 12.8x5.8x6.5 mm)
- Depending on the model, the breaking capacity ranges from small switching currents and voltages to low-voltage applications up to 3 A 125VAC
- Optionally available with or without auxiliary actuator
- Use on circuit boards with connections to the left or right and standing
- High mechanical operating life, depending on the model > 1.000.000 actuations

Electrical rating and operating life

Electrical rating according to UL	Operating life		
	Nominal load UL	mechanical	Housing mark
3 A, 125 VAC 2 A, 30VDC	6.000	1 x 10 ⁶	DG 1
0,05 A, 30VDC	6.000	1 x 10 ⁶	DG 2
1 A, 125 VAC 1 A, 30VDC	6.000	1 x 10 ⁶	DG 4

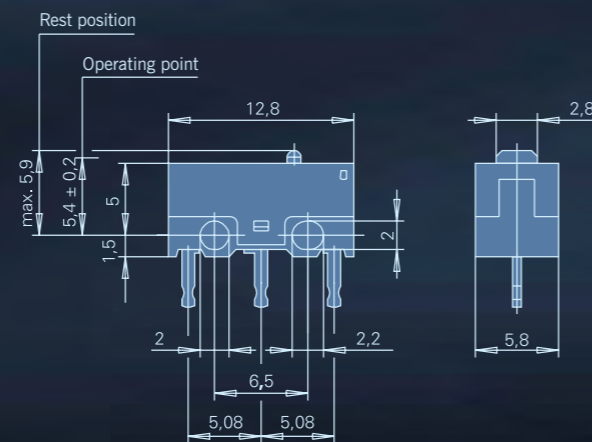
Auxiliary actuator options

Auxiliary actuator	Type	Max. operating force (cN)	Max. pretravel (mm)	Min. overtravel (mm)	Differential travel max. (mm)	Max. rest position (mm)	Operating point (mm)
Without auxiliary actuator	DG 1,2 B	140	0,5	0,2	0,1	5,9	5,4 ± 0,2
	DG 2,4 C	75	0,5	0,2	0,1	5,9	5,4 ± 0,2
Auxiliary actuator straight	DG 1,2 B	45	1,8	0,55	0,5	9,4	6,8 +0,8/-0,4
	DG 2,4 C	30	1,8	0,55	0,5	9,4	6,8 +0,8/-0,4
Auxiliary actuator roller	DG 1,2 B	60	1,5	0,55	0,5	13,9	12,4 ± 0,5
	DG 2,4 C	35	1,5	0,55	0,5	13,9	12,4 ± 0,5

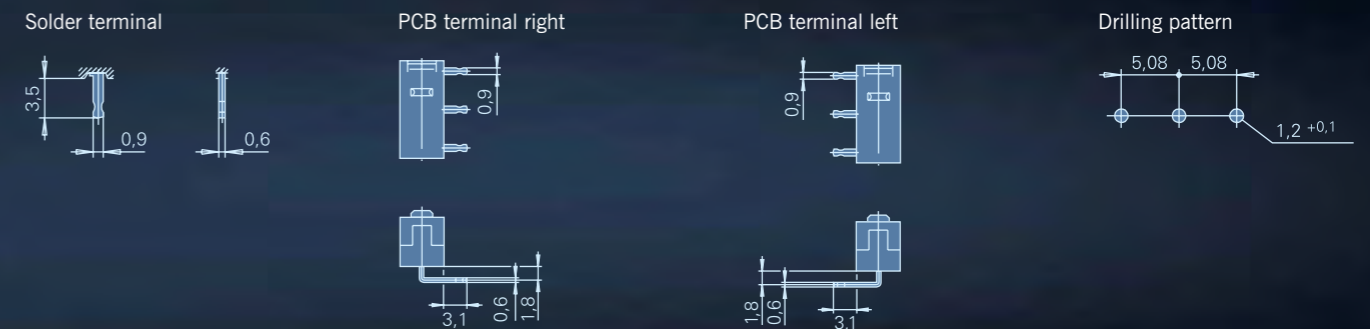
Preferred parts

Order code	Electrical rating	Terminals	Auxiliary actuator	Operating force (cN)	Operating point (mm)	Max. pretravel (mm)	Min. overtravel (mm)	Differential travel max. (mm)
DG13-B1LA	3A, 125VAC; 2A, 30VDC	PCB terminal straight	Auxiliary actuator straight	45	6,8 +0,8/-0,4	1,8	0,55	0,5
DG13-B1RA	3A, 125VAC; 2A, 30VDC	PCB terminal straight	Auxiliary actuator roller	60	12,4 ± 0,5	1,5	0,55	0,5
DG13-B2LA	3A, 125VAC; 2A, 30VDC	PCB terminal straight	Auxiliary actuator straight	45	6,8 +0,8/-0,4	1,8	0,55	0,5
DG23-B1LA	0,05A, 30VDC	PCB terminal straight	Auxiliary actuator straight	45	6,8 +0,8/-0,4	1,8	0,55	0,5
DG23-B1RA	0,05A, 30VDC	PCB terminal straight	Auxiliary actuator roller	60	12,4 ± 0,5	1,5	0,55	0,5
DG23-B2LA	0,05A, 30VDC	PCB terminal right	Auxiliary actuator straight	45	6,8 +0,8/-0,4	1,8	0,55	0,5
DG23-B3LA	0,05A, 30VDC	PCB terminal left	Auxiliary actuator straight	45	6,8 +0,8/-0,4	1,5	0,55	0,5

Dimensions in mm



Terminals



Auxiliary actuator options

