



Chipsmall Limited consists of a professional team with an average of over 10 year of expertise in the distribution of electronic components. Based in Hongkong, we have already established firm and mutual-benefit business relationships with customers from,Europe,America and south Asia,supplying obsolete and hard-to-find components to meet their specific needs.

With the principle of "Quality Parts,Customers Priority,Honest Operation,and Considerate Service",our business mainly focus on the distribution of electronic components. Line cards we deal with include Microchip,ALPS,ROHM,Xilinx,Pulse,ON,Everlight and Freescale. Main products comprise IC,Modules,Potentiometer,IC Socket,Relay,Connector.Our parts cover such applications as commercial,industrial, and automotives areas.

We are looking forward to setting up business relationship with you and hope to provide you with the best service and solution. Let us make a better world for our industry!



Contact us

Tel: +86-755-8981 8866 Fax: +86-755-8427 6832

Email & Skype: info@chipsmall.com Web: www.chipsmall.com

Address: A1208, Overseas Decoration Building, #122 Zhenhua RD., Futian, Shenzhen, China



Latchable Single 8-Ch/Differential 4-Ch Analog Multiplexers

DESCRIPTION

The DG528 is an 8-channel single-ended analog multiplexer designed to connect one of eight inputs to a common output as determined by a 3-bit binary address (A_0, A_1, A_2). DG529, a 4-channel dual analog multiplexer, is designed to connect one of four differential inputs to a common differential output as determined by its 2-bit binary address (A_0, A_1) logic.

These analog multiplexers have on-chip address and control latches to simplify design in microprocessor based applications. Break-before-make switching action protects against momentary shorting of the input signals. The DG528/529 are built on the improved PLUS-40 CMOS process. A buried layer prevents latchup.

The on chip TTL-compatible address latches simplify digital interface design and reduce board space in data acquisition systems, process controls, avionics, and ATE.

FEATURES

- Low $R_{DS(on)}$: 270 Ω
- 44 V Power Supply Rating
- On-Board Address Latches
- Break-Before-Make
- Low Leakage - $I_{D(on)}$: 30 pA

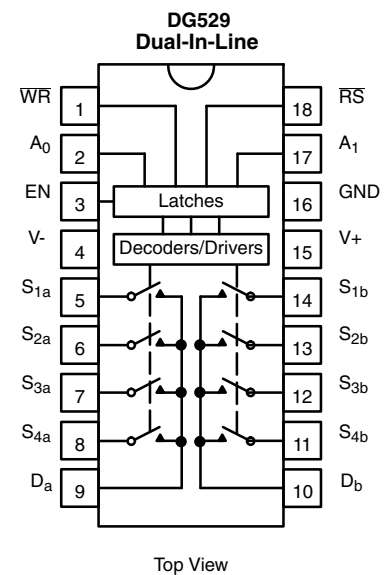
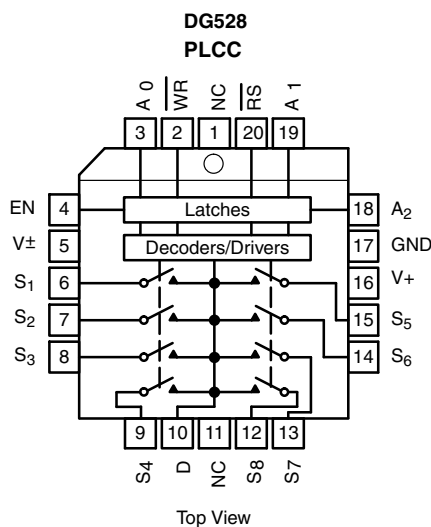
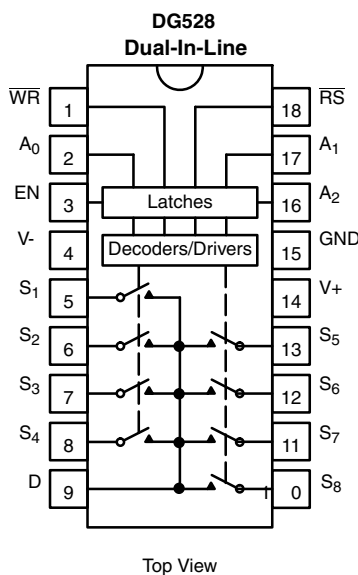
BENEFITS

- Improved System Accuracy
- Microprocessor Bus Compatible
- Easily Interfaced
- Reduced Crosstalk


APPLICATIONS


- Data Acquisition Systems
- Automatic Test Equipment
- Avionics and Military Systems
- Medical Instrumentation

FUNCTIONAL BLOCK DIAGRAM AND PIN CONFIGURATION



TRUTH TABLES AND ORDERING INFORMATION

TRUTH TABLE - DG528						
8-Channel Single-Ended Multiplexer						
A ₂	A ₁	A ₀	EN	WR	RS	On Switch
Latching						
X	X	X	X		1	Maintains previous switch condition
Reset						
X	X	X	X	X	0	None (latches cleared)
Transparent Operation						
X	X	X	0	0	1	None
0	0	0	1	0	1	1
0	0	1	1	0	1	2
0	1	0	1	0	1	3
0	1	1	1	0	1	4
1	0	0	1	0	1	5
1	0	1	1	0	1	6
1	1	0	1	0	1	7
1	1	1	1	0	1	8

TRUTH TABLE - DG529				
Differential 4-Channel Multiplexer				
A ₀	EN	WR	RS	On Switch
Latching				
X	X		1	Maintains previous switch condition
Reset				
X	X	X	0	None (latches cleared)
Transparent Operation				
X	0	0	1	None
0	1	0	1	1
1	1	0	1	2
0	1	0	1	3
1	1	0	1	4

Logic "0" = V_{AL} ≤ 0.8 V
 Logic "1" = V_{AH} ≥ 2.4 V
 X = Don't Care

ORDERING INFORMATION - DG528		
Temp Range	Package	Part Number
0 °C to 70 °C	18-pin Plastic DIP	DG528CJ
	20-pin PLCC	DG528DN
- 25 °C to 85 °C	18-pin Cer DIP	DG528BK
		DG528AK
DG528AK/883		
5962-8768901VA		
- 55 °C to 125 °C		

ORDERING INFORMATION - DG529		
Temp Range	Package	Part Number
0 °C to 70 °C	18-pin Plastic DIP	DG529CJ
- 25 °C to 85 °C	18-pin Cer DIP	DG529BK
		DG529AK/883
- 55 °C to 125 °C		

ABSOLUTE MAXIMUM RATINGS			
Parameter	Symbol	Limit	Unit
Voltages Referenced to V-	V+	44	V
	GND	25	
Digital Inputs ^a , V _S , V _D		(V-) - 2 to (V+) + 2 or 30 mA, whichever occurs first	
Current (Any Terminal Except S or D)		30	mA
Continuous Current, S or D		20	
Peak Current, S or D (Pulsed at 1 ms, 10 % duty cycle max)		40	
Storage Temperature	(AK, BK Suffix)	- 65 to 150	°C
	(CJ, DN Suffix)	- 65 to 125	
Power Dissipation (Package) ^b	18-pin Plastic DIP ^c	470	mW
	18-pin CerDIP ^d	900	
	20-pin PLCC ^e	800	

Notes:

- a. Signals on S_x, D_x or IN_x exceeding V+ or V- will be clamped by internal diodes. Limit forward diode current to maximum current ratings.
- b. All leads soldered or welded to PC board.
- c. Derate 6.3 mW/°C above 75 °C.
- d. Derate 12 mW/°C above 75 °C.
- e. Derate 10 mW/°C above 75 °C.



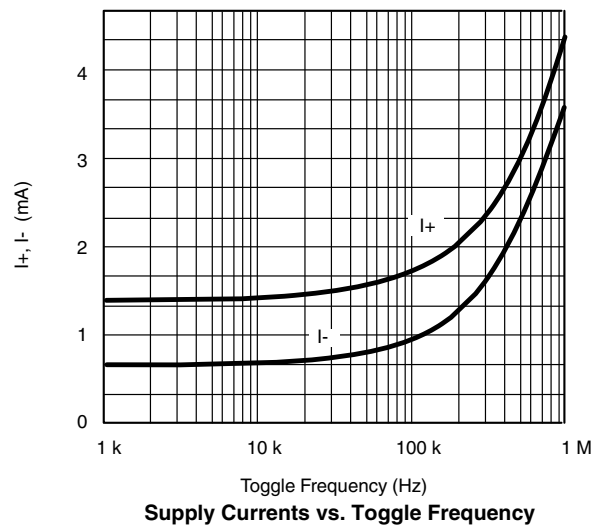
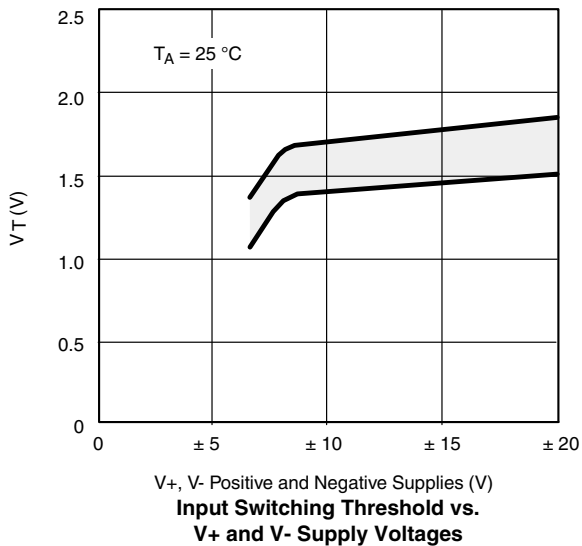
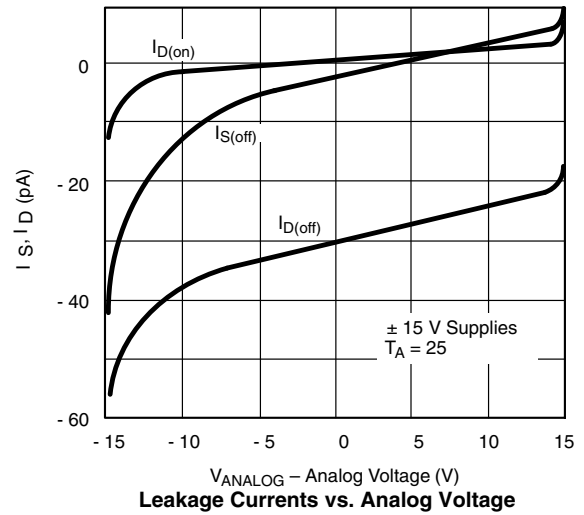
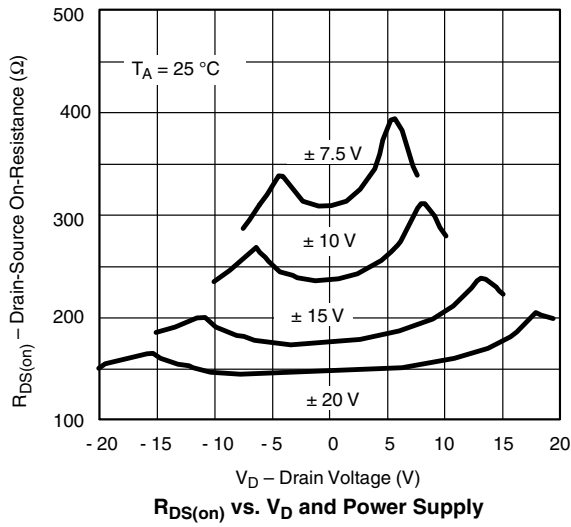
SPECIFICATIONS ^a										
Parameter	Symbol	Test Conditions Unless Otherwise Specified $V_+ = 15\text{ V}$, $V_- = -15\text{ V}$, $WR = 0$, $\overline{RS} = 2.4\text{ V}$, $V_{IN} = 2.4\text{ V}$, $0.8\text{ }\mu\text{F}^f$	Temp. ^b	Typ. ^c	A Suffix -55 °C to 125 °C		B, C, D Suffix -40 °C to 85 °C		Unit	
					Min. ^d	Max. ^d	Min. ^d	Max. ^d		
Analog Switch										
Analog Signal Range ^e	V_{ANALOG}		Full		-15	15	-15	15	V	
Drain-Source On-Resistance	$R_{DS(on)}$	$V_D = \pm 10\text{ V}$, $I_S = -200\text{ }\mu\text{A}$	Room Full	270		400 500		450 550	Ω	
Greatest Change in $R_{DS(on)}$ Between Channels ^f	$\Delta R_{DS(on)}$	$-10\text{ V} < V_S < 10\text{ V}$	Room	6					%	
Source Off Leakage Current	$I_{S(off)}$	$V_{EN} = 0\text{ V}$, $V_D = \pm 10\text{ V}$ $V_S = \pm 10\text{ V}$	Room Full	± 005	-1 -50	1 50	-5 -50	5 50	nA	
Drain Off Leakage Current	$I_{D(off)}$	$V_{EN} = 0\text{ V}$, $V_D = \pm 10\text{ V}$ $V_S = \pm 10\text{ V}$	DG528	Room Full	± 0.015	-10 -200	10 200	-20 -200		20 200
			DG529	Room Full	± 0.008	-10 -100	10 100	-20 -100		20 100
Drain On Leakage Current	$I_{D(on)}$	$V_S = V_D = \pm 10\text{ V}$ $V_{EN} = 2.4\text{ V}$	DG528	Room Full	± 0.03	-10 -200	10 200	-20 -200		20 200
			DG529	Room Full	± 0.015	-10 -100	10 100	-20 -100	20 100	
Digital Control										
Logic Input Current	I_{AH}	$V_A = 2.4\text{ V}$	Room Hot	-0.002	-10 -30		-10 -30		μA	
Input Voltage High		$V_A = 15\text{ V}$	Room Hot	0.006		10 30		10 30		
Logic Input Current Input Voltage Low	I_{AL}	$V_{EN} = 0\text{ V}$, 2.4 V , $V_A = 0\text{ V}$ $RS = 0\text{ V}$, $WR = 0\text{ V}$	Room Hot	-0.002	-10 -30		-10 -30			
Dynamic Characteristics										
Transition Time	t_{TRANS}	See Figure 5	Room	0.6		1			μs	
Break-Before-Make Interval	t_{OPEN}	See Figure 4	Room	0.2						
EN and WR Turn-On Time	$t_{ON(EN,WR)}$	See Figure 6 and 7	Room	1		1.5				
EN and WR Turn-Off Time	$t_{OFF(EN,RS)}$	See Figure 6 and 8	Room	0.4		1				
Charge Injection	Q	$V_S = 0\text{ V}$, $R_y = 0\text{ }\Omega$, $C_L = 10\text{ }\mu\text{F}$	Room	4					pC	
Off Isolation	OIRR	$V_{EN} = 0\text{ V}$, $R_L = 1\text{ k}\Omega$, $C_L = 15\text{ pF}$ $V_S = 7\text{ V}_{RMS}$, $f = 500\text{ kHz}$	Room	68					dB	
Logic Input Capacitance	C_{in}	$f = 1\text{ MHz}$	Room	2.5					pF	
Source Off Capacitance	$C_{S(off)}$	$V_{EN} = 0\text{ V}$, $V_D = 0\text{ V}$, $f = 140\text{ kHz}$	Room	5						
Drain Off Capacitance	$C_{D(off)}$	$V_{EN} = 0\text{ V}$, $V_D = 0\text{ V}$ $f = 140\text{ kHz}$	DG528	Room	25					
			DG529	Room	12					
Minimum Input Timing Requirements										
Write Pulse Width	t_W		Full		300		300		ns	
A_X , EN Data Set Up time	t_S		Full		180		180			
A_X , EN Data Hold Time	t_H		Full		30		30			
Reset Pulse Width	t_{RS}	$V_S = 5\text{ V}$, See Figure 3	Full		500		500			
Power Supplies										
Positive Supply Current	I+	$V_{EN} = V_A = 0\text{ V}$	Room			2.5		2.5	mA	
Negative Supply Current	I-		Room		-1.5		-1.5			

Notes:

- a. Refer to PROCESS OPTION FLOWCHART.
- b. Room = 25 °C, Full = as determined by the operating temperature suffix.
- c. Typical values are for DESIGN AID ONLY, not guaranteed nor subject to production testing.
- d. The algebraic convention whereby the most negative value is a minimum and the most positive a maximum, is used in this data sheet.
- e. Guaranteed by design, not subject to production test.
- f. V_{IN} = input voltage to perform proper function.

Stresses beyond those listed under "Absolute Maximum Ratings" may cause permanent damage to the device. These are stress ratings only, and functional operation of the device at these or any other conditions beyond those indicated in the operational sections of the specifications is not implied. Exposure to absolute maximum rating conditions for extended periods may affect device reliability.

TYPICAL CHARACTERISTICS (T_A = 25 °C, unless noted)



SCHEMATIC DIAGRAM (TYPICAL CHANNEL)

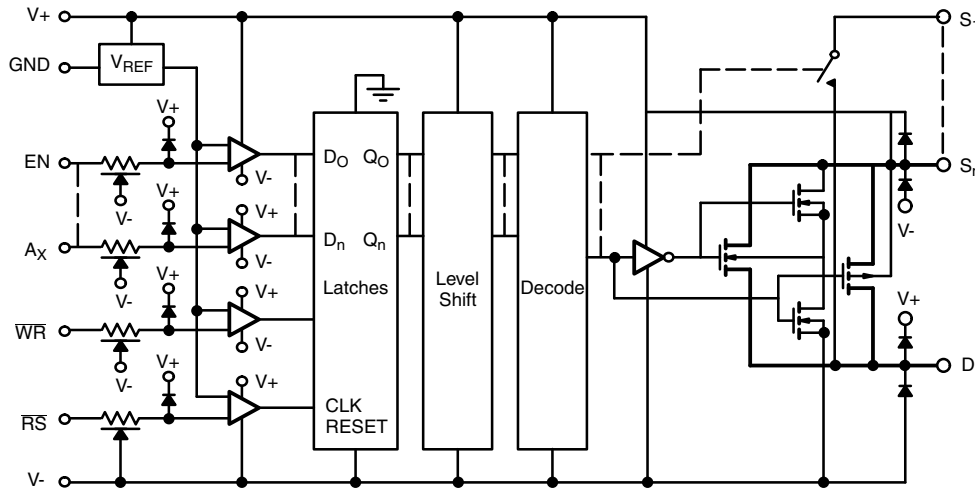


Figure 1.

DETAILED DESCRIPTION

The internal structure of the DG528/DG529 includes a 5-V logic interface with input protection circuitry followed by a latch, level shifter, decoder and finally the switch constructed with parallel n- and p-channel MOSFETs (see Figure 1).

The logic interface circuit compares the TTL input signal against a TTL threshold reference voltage. The output of the comparator feeds the data input of a D type latch. The level sensitive D latch continuously places the D_x input signal on the Q_x output when the \overline{WR} input is low, resulting in transparent latch operation. As soon as \overline{WR} returns high, the latches hold the data last present on the D_x input, subject to the minimum input timing requirements.

Following the latches the Q_x signals are level shifted and decoded to provide proper drive levels for the CMOS switches. This level shifting insures full on/off switch operation for any analog signal present between the V+ and V- supply rails.

The EN pin is used to enable the address latches during the \overline{WR} pulse. It can be hard-wired to the logic supply or to V+ if one of the channels will always be used (except during a reset) or it can be tied to address decoding circuitry for memory mapped operation. The \overline{RS} pin is used as a master reset. All latches are cleared regardless of the state of any other latch or control line. The \overline{WR} pin is used to transfer the state of the address control lines to their latches, except during a reset or when EN is low (see Truth Tables).

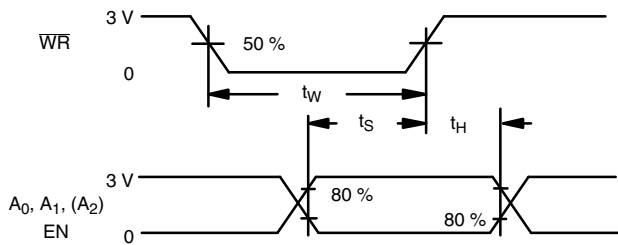


Figure 2.

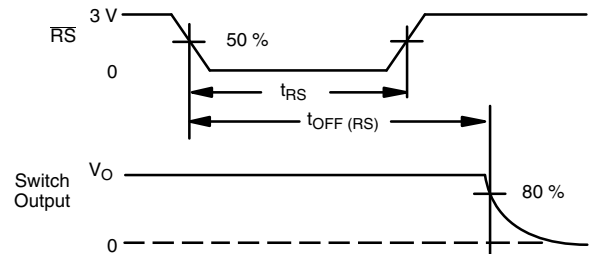


Figure 3.

TEST CIRCUITS

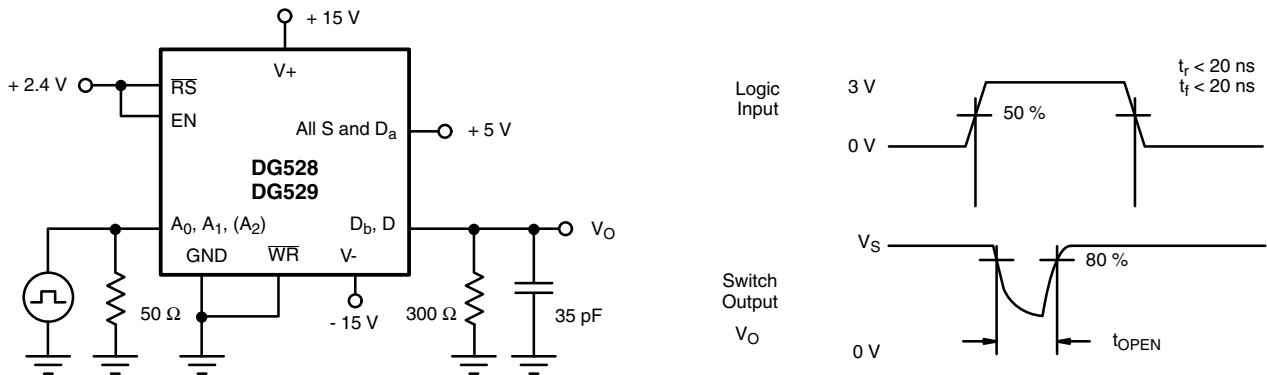


Figure 4. Break-Before-Make

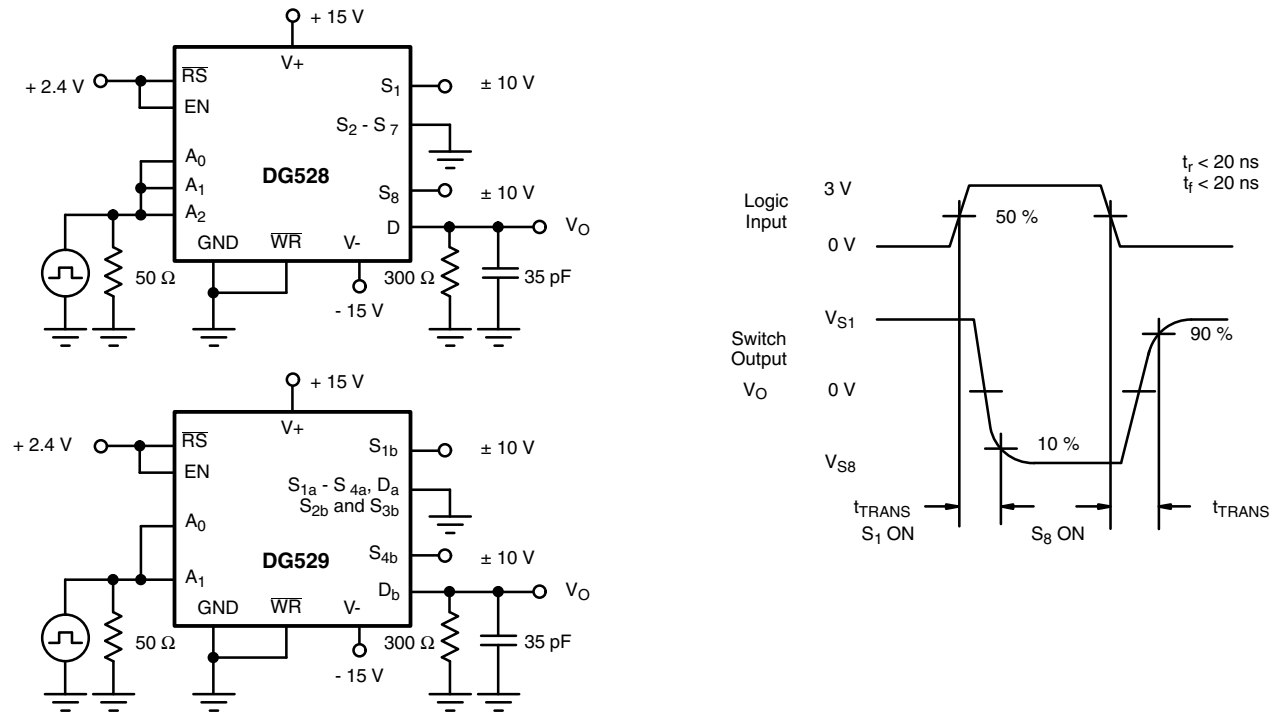


Figure 5. Transition Time

TEST CIRCUITS

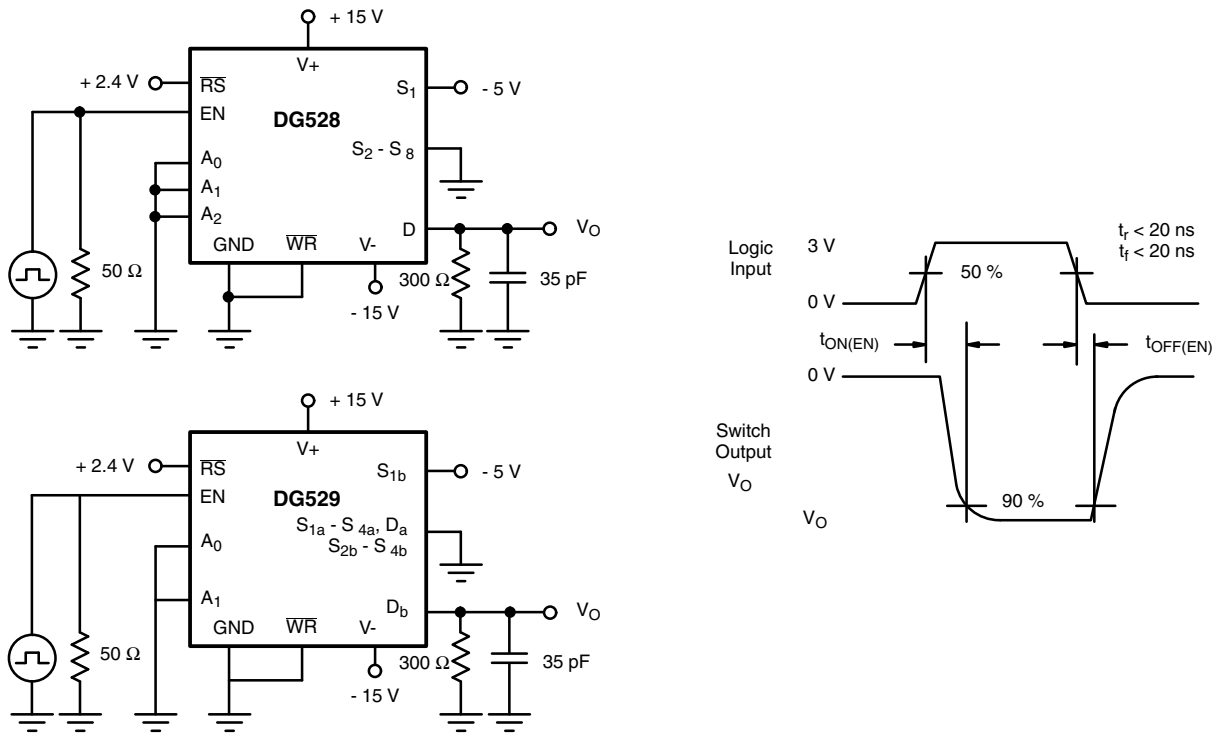


Figure 6. Enable t_{ON}/t_{OFF} Time

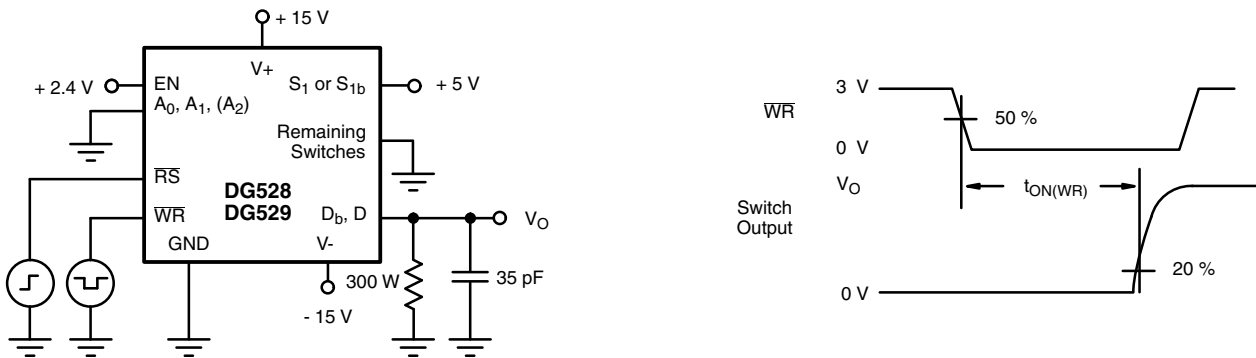


Figure 7. Write Turn-On Time $t_{ON(WR)}$

TEST CIRCUITS

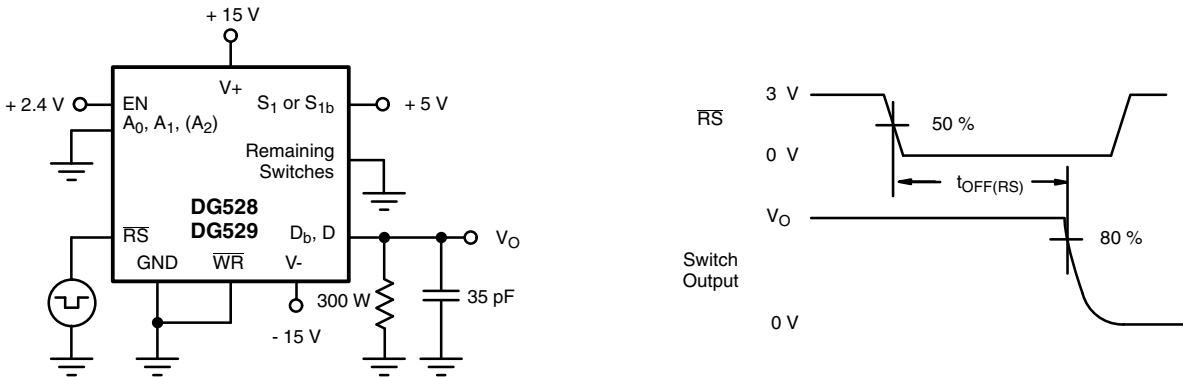


Figure 8. Reset Turn-Off Time $t_{OFF(RS)}$

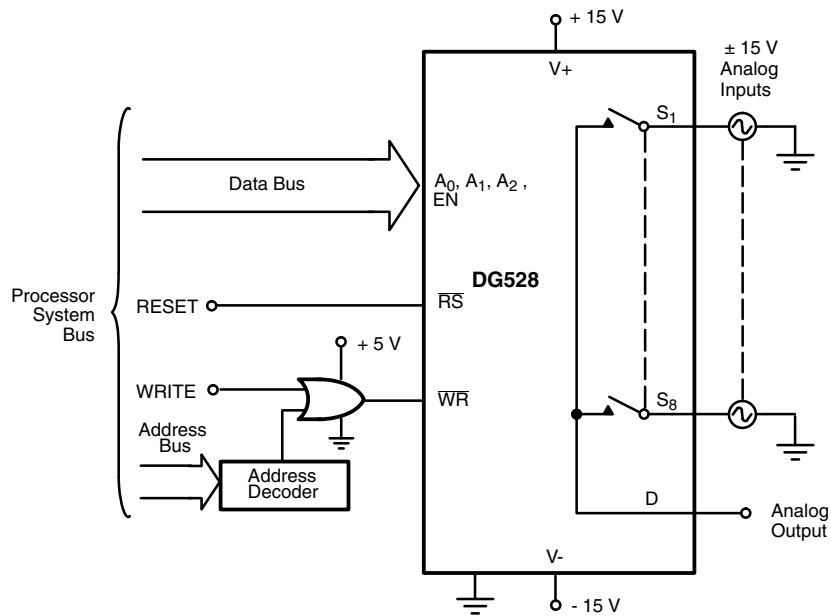


Figure 9. Bus Interface



APPLICATION HINTS^a			
V₊ Positive Supply Voltage (V)	V₋ Negative Supply Voltage (V)	V_{IN} Logic Input Voltage V_{INH(min)}/V_{INL(max)} (V)	V_S or V_D Analog Voltage Range (V)
20	- 20	2.4/0.8	± 20
15 ^b	- 15	2.4/0.8	± 15
8 ^c	- 8 (min)	2.4/0.8	± 8

Notes:

a. Application Hints are for DESIGN AID ONLY, not guaranteed and not subject to production testing.

b. Electrical Parameter Chart based on V₊ = 15 V, V₋ = - 15 V, V_R = GND.

c. Operation below ± 8 V is not recommended.

The DG528/DG529 minimize the amount of interface hardware between a microprocessor system bus and the analog system being controlled or measured. The internal TTL compatible latches give these multiplexers write-only memory, that is, they can be programmed to stay in a particular switch state (e.g., switch 1 on) until the microprocessor determines it is necessary to turn different switches on or turn all switches off (see Figure 9).

The input latches become transparent when \overline{WR} is held low; therefore, these multiplexers operate by direct command of the coded switch state on A₂, A₁, A₀. In this mode the DG528 is identical to the popular DG508A. The same is true of the DG529 versus the popular DG509A.

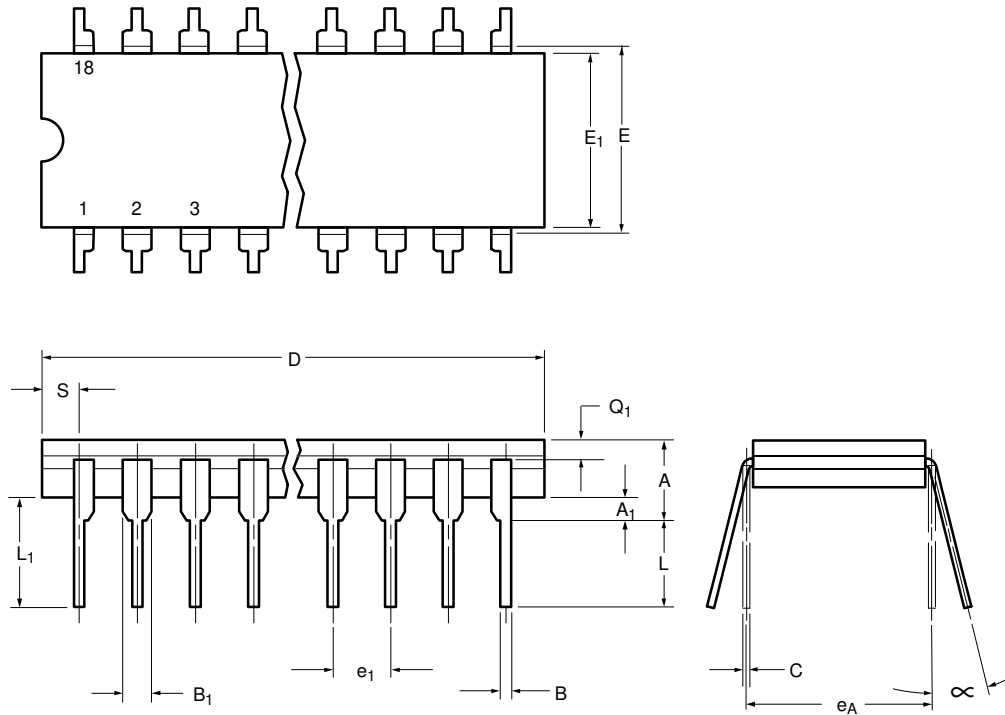
During system power-up, \overline{RS} would be low, maintaining all eight switches in the off state. After \overline{RS} returned high the DG528 maintains all switches in the off state. When the system program performs a write operation to the address assigned to the DG528, the address decoder provides a \overline{CS} active low signal which is gated with the WRITE (\overline{WR}) control signal. At this time the data on the DATA BUS (that will determine which switch to close) is stabilizing. When the \overline{WR} signal returns to the high state, (positive edge) the input latches of the DG528 save the data from the DATA BUS. The coded information in the A₀, A₁, A₂ and EN latches is decoded and the appropriate switch is turned on.

The EN latch allows all switches to be turned off under program control. This becomes useful when two or more DG528s are cascaded to build 16-line and larger multiplexers.

Vishay Siliconix maintains worldwide manufacturing capability. Products may be manufactured at one of several qualified locations. Reliability data for Silicon Technology and Package Reliability represent a composite of all qualified locations. For related documents such as package/tape drawings, part marking, and reliability data, see <http://www.vishay.com/ppg?70068>.



CERDIP: 18-LEAD

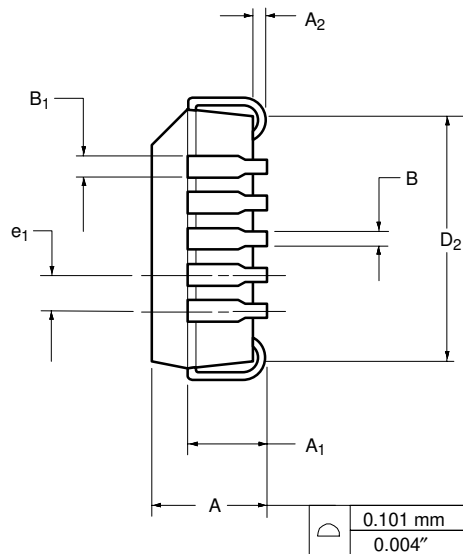
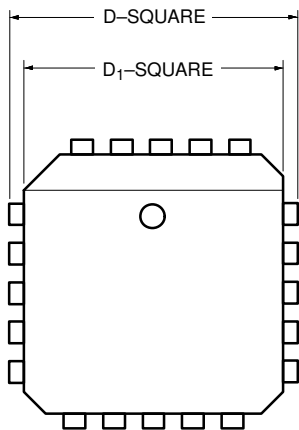


Dim	MILLIMETERS		INCHES	
	Min	Max	Min	Max
A	4.06	5.08	0.160	0.200
A₁	0.51	1.14	0.020	0.045
B	0.38	0.51	0.015	0.020
B₁	1.14	1.65	0.045	0.065
C	0.20	0.30	0.008	0.012
D	22.35	22.86	0.880	0.900
E	7.62	8.26	0.300	0.325
E₁	6.60	7.62	0.260	0.300
e₁	2.54 BSC		0.100 BSC	
e_A	7.62 BSC		0.300 BSC	
L	3.18	3.81	0.125	0.150
L₁	3.81	5.08	0.150	0.200
Q₁	1.27	2.16	0.050	0.085
S	0.76	1.52	0.030	0.060
∞	0°	15°	0°	15°

ECN: S-03946—Rev. D, 09-Jul-01
DWG: 5313



PLCC: 20-LEAD



Dim	MILLIMETERS		INCHES	
	Min	Max	Min	Max
A	4.20	4.57	0.165	0.180
A₁	2.29	3.04	0.090	0.120
A₂	0.51	–	0.020	–
B	0.331	0.553	0.013	0.021
B₁	0.661	0.812	0.026	0.032
D	9.78	10.03	0.385	0.395
D₁	8.890	9.042	0.350	0.356
D₂	7.37	8.38	0.290	0.330
e₁	1.27 BSC		0.050 BSC	

ECN: S-03946—Rev. C, 09-Jul-01
DWG: 5306



Disclaimer

ALL PRODUCT, PRODUCT SPECIFICATIONS AND DATA ARE SUBJECT TO CHANGE WITHOUT NOTICE TO IMPROVE RELIABILITY, FUNCTION OR DESIGN OR OTHERWISE.

Vishay Intertechnology, Inc., its affiliates, agents, and employees, and all persons acting on its or their behalf (collectively, "Vishay"), disclaim any and all liability for any errors, inaccuracies or incompleteness contained in any datasheet or in any other disclosure relating to any product.

Vishay makes no warranty, representation or guarantee regarding the suitability of the products for any particular purpose or the continuing production of any product. To the maximum extent permitted by applicable law, Vishay disclaims (i) any and all liability arising out of the application or use of any product, (ii) any and all liability, including without limitation special, consequential or incidental damages, and (iii) any and all implied warranties, including warranties of fitness for particular purpose, non-infringement and merchantability.

Statements regarding the suitability of products for certain types of applications are based on Vishay's knowledge of typical requirements that are often placed on Vishay products in generic applications. Such statements are not binding statements about the suitability of products for a particular application. It is the customer's responsibility to validate that a particular product with the properties described in the product specification is suitable for use in a particular application. Parameters provided in datasheets and / or specifications may vary in different applications and performance may vary over time. All operating parameters, including typical parameters, must be validated for each customer application by the customer's technical experts. Product specifications do not expand or otherwise modify Vishay's terms and conditions of purchase, including but not limited to the warranty expressed therein.

Except as expressly indicated in writing, Vishay products are not designed for use in medical, life-saving, or life-sustaining applications or for any other application in which the failure of the Vishay product could result in personal injury or death. Customers using or selling Vishay products not expressly indicated for use in such applications do so at their own risk. Please contact authorized Vishay personnel to obtain written terms and conditions regarding products designed for such applications.

No license, express or implied, by estoppel or otherwise, to any intellectual property rights is granted by this document or by any conduct of Vishay. Product names and markings noted herein may be trademarks of their respective owners.