



Chipsmall Limited consists of a professional team with an average of over 10 year of expertise in the distribution of electronic components. Based in Hongkong, we have already established firm and mutual-benefit business relationships with customers from,Europe,America and south Asia,supplying obsolete and hard-to-find components to meet their specific needs.

With the principle of “Quality Parts,Customers Priority,Honest Operation,and Considerate Service”,our business mainly focus on the distribution of electronic components. Line cards we deal with include Microchip,ALPS,ROHM,Xilinx,Pulse,ON,Everlight and Freescale. Main products comprise IC,Modules,Potentiometer,IC Socket,Relay,Connector.Our parts cover such applications as commercial,industrial, and automotives areas.

We are looking forward to setting up business relationship with you and hope to provide you with the best service and solution. Let us make a better world for our industry!



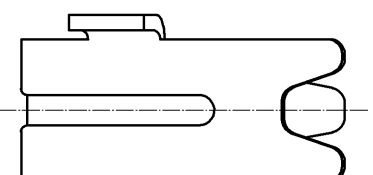
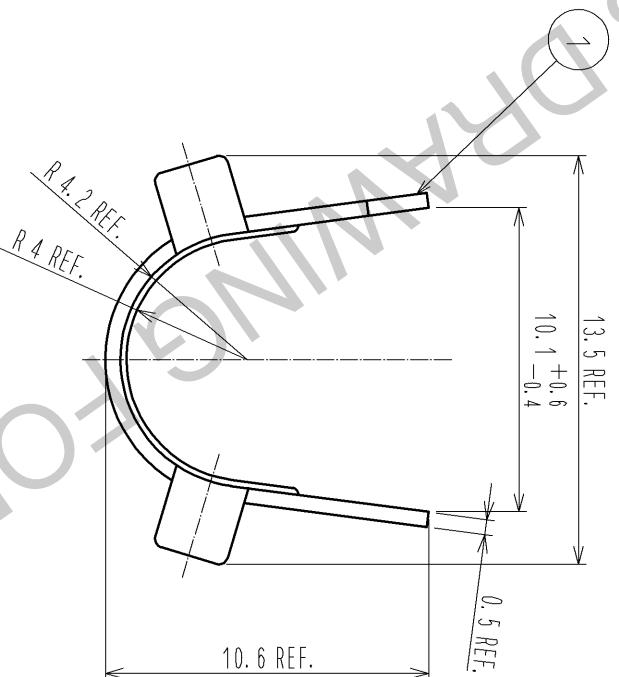
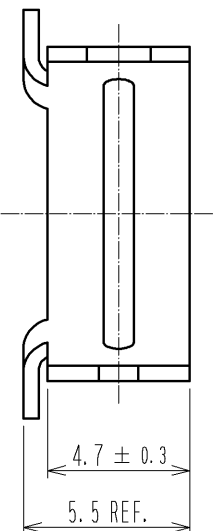
Contact us

Tel: +86-755-8981 8866 Fax: +86-755-8427 6832

Email & Skype: info@chipsmall.com Web: www.chipsmall.com

Address: A1208, Overseas Decoration Building, #122 Zhenhua RD., Futian, Shenzhen, China





NOTE 1. THIS PRODUCT IS A CLAMP FOR A COVER CASE · DH-27-C**B ·.
 2. THE APPLICABLE CABLE DIAMETER IS ϕ 6.9.
 3. THIS PRODUCT IS PACKED IN A BAG.
 (QUANTITY PER BAG MAY VARY DUE TO THE AMOUNT OF EACH ORDER.)

NO.	MATERIAL	FINISH . REMARKS	NO.	MATERIAL	FINISH . REMARKS
1	BRASS				

UNITS mm	SCALE	COUNT	DESCRIPTION OF REVISIONS	DRAWING NO.		CHECKED	DATE
				DESIGNED	MO. SHIMOMYAMA		
4 : 1	4 : 1	1	DIS-E-003059	09.05.07	EDC4-126674-00	09.12.07	
APPROVED : AO. SUZUKI				09.05.07			
CHECKED : KN. ICHIKAWA				09.05.07			
DESIGNED : MO. SHIMOMYAMA				09.05.07			
DRAWN : MO. SHIMOMYAMA				09.05.07			
				09.05.07	CL244-0036-9-00		

