



Chipsmall Limited consists of a professional team with an average of over 10 year of expertise in the distribution of electronic components. Based in Hongkong, we have already established firm and mutual-benefit business relationships with customers from,Europe,America and south Asia,supplying obsolete and hard-to-find components to meet their specific needs.

With the principle of “Quality Parts,Customers Priority,Honest Operation,and Considerate Service”,our business mainly focus on the distribution of electronic components. Line cards we deal with include Microchip,ALPS,ROHM,Xilinx,Pulse,ON,Everlight and Freescale. Main products comprise IC,Modules,Potentiometer,IC Socket,Relay,Connector.Our parts cover such applications as commercial,industrial, and automotives areas.

We are looking forward to setting up business relationship with you and hope to provide you with the best service and solution. Let us make a better world for our industry!



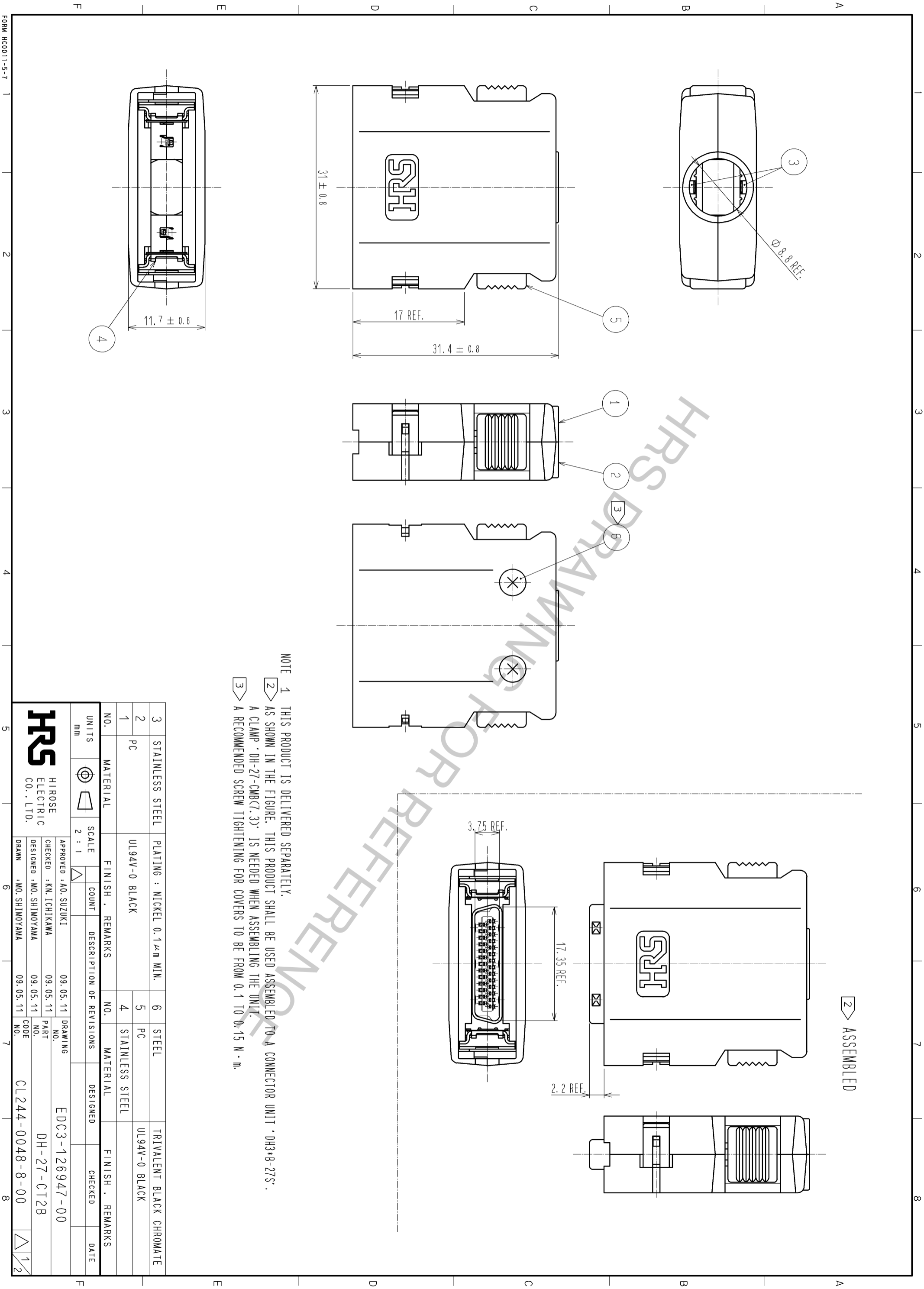
Contact us

Tel: +86-755-8981 8866 Fax: +86-755-8427 6832

Email & Skype: info@chipsmall.com Web: www.chipsmall.com

Address: A1208, Overseas Decoration Building, #122 Zhenhua RD., Futian, Shenzhen, China





NOTE 1 THIS PRODUCT IS DELIVERED SEPARATELY.
 2 AS SHOWN IN THE FIGURE, THIS PRODUCT SHALL BE USED ASSEMBLED TO A CONNECTOR UNIT · DH3+B-27S · A CLAMP · DH-27-CMBCT.37 · IS NEEDED WHEN ASSEMBLING THE UNIT.
 3 A RECOMMENDED SCREW TIGHTENING FOR COVERS TO BE FROM 0.1 TO 0.15 N · m.

3	STAINLESS STEEL	PLATING : NICKEL 0.1 μ m MIN.	6	STEEL	TRIVALENT BLACK CHROMATE
2	PC	UL94V-0 BLACK	5	PC	UL94V-0 BLACK
1	MATERIAL	FINISH . REMARKS	4	STAINLESS STEEL	FINISH . REMARKS
UNITS	SCALE	COUNT	DESCRIPTION OF REVISIONS	DESIGNED	CHECKED
mm	2 : 1				DATE
APPROVED : AO. SUZUKI		09.05.11		DRAWING NO.	
CHECKED : KN. ICHIKAWA		09.05.11		PART NO.	
DESIGNED : MO. SHIMOYAMA		09.05.11		CODE NO.	
DRAWN : MO. SHIMOYAMA		09.05.11		CL244-0048-8-00	
HRS		HIROSE ELECTRIC CO., LTD.		EDC3-126947-00	
DH-27-CT2B				DH-27-CT2B	
1				2	

FORM HC0011-5-8

2

3

4

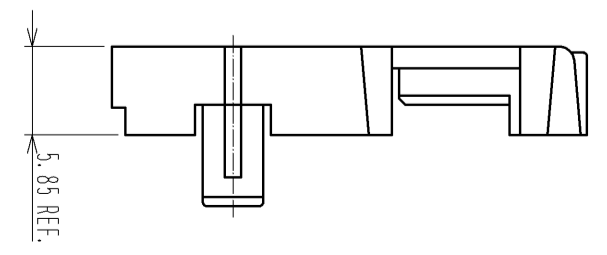
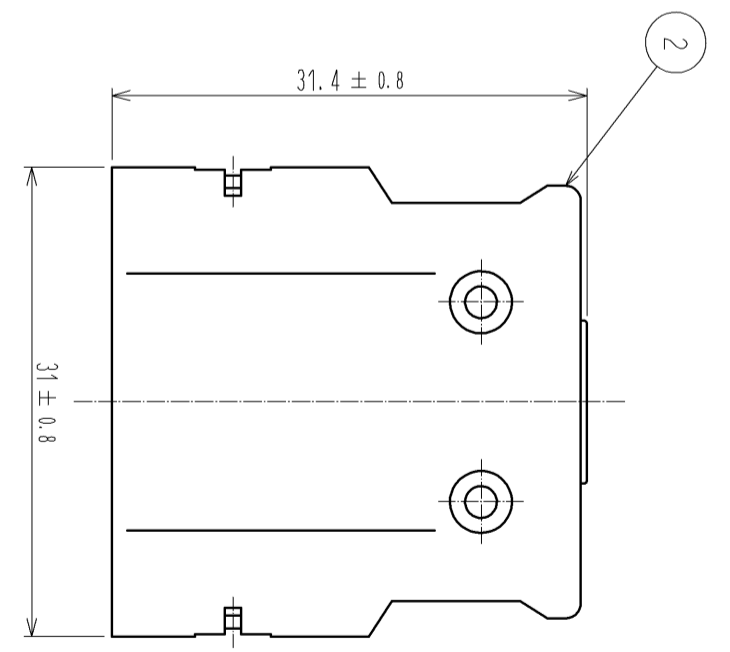
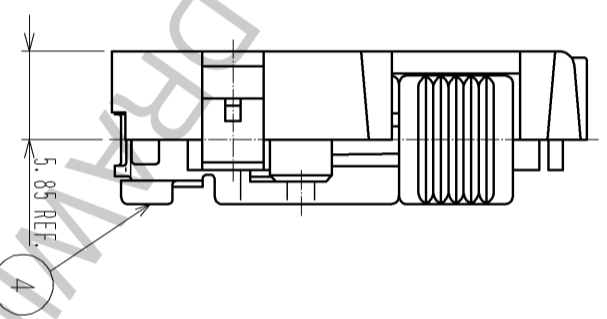
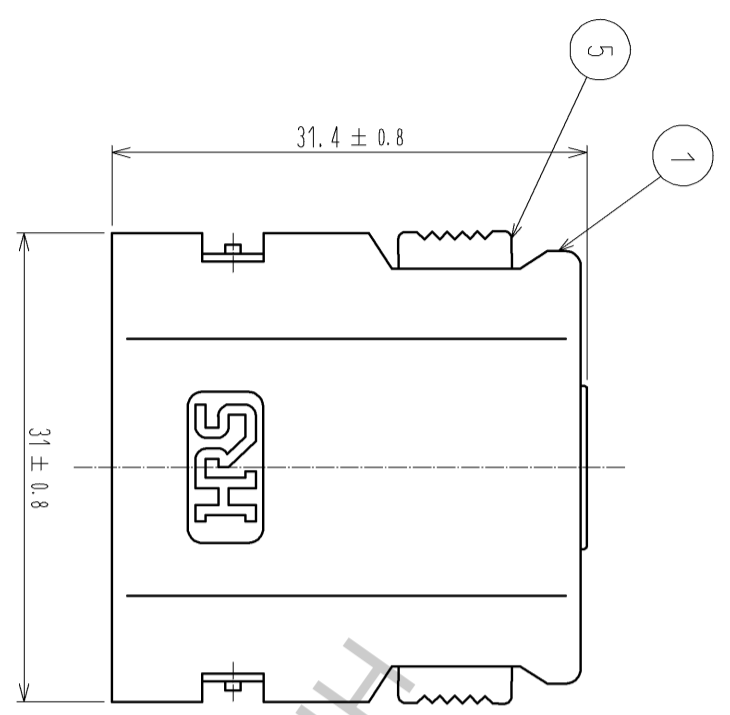
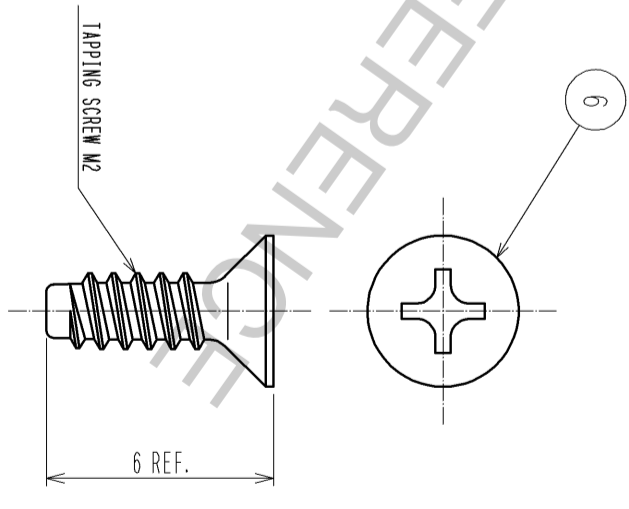
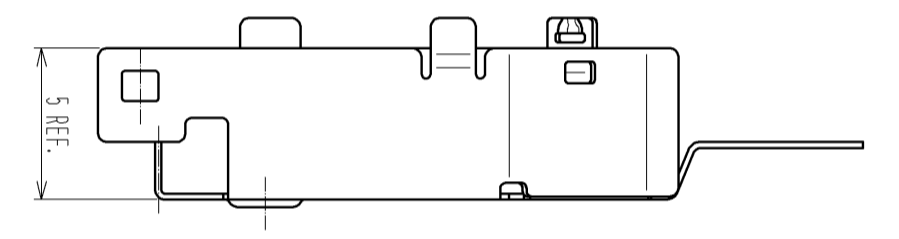
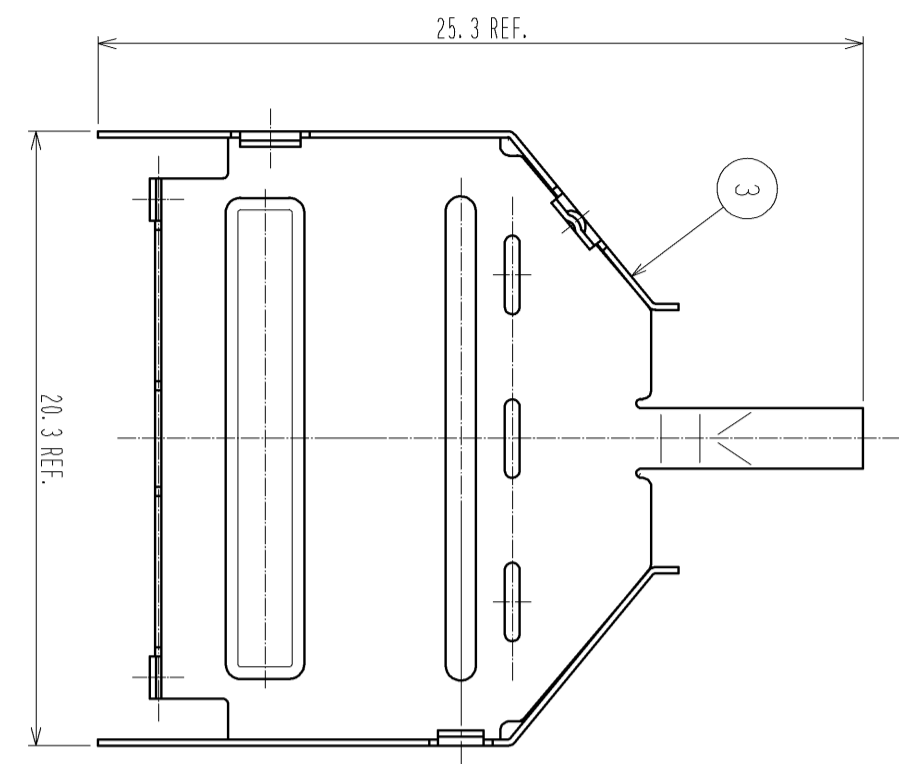
5

6

7

8

A B C D E F



HRS	DRAWING NO.	EDC3-126947-00
	PART NO.	DH-27-CT2B
	CODE NO.	CL244-0048-8-00
		2/2

F E D C B A

1

2

3

4

5

6

7

8