



Chipsmall Limited consists of a professional team with an average of over 10 year of expertise in the distribution of electronic components. Based in Hongkong, we have already established firm and mutual-benefit business relationships with customers from,Europe,America and south Asia,supplying obsolete and hard-to-find components to meet their specific needs.

With the principle of “Quality Parts,Customers Priority,Honest Operation,and Considerate Service”,our business mainly focus on the distribution of electronic components. Line cards we deal with include Microchip,ALPS,ROHM,Xilinx,Pulse,ON,Everlight and Freescale. Main products comprise IC,Modules,Potentiometer,IC Socket,Relay,Connector.Our parts cover such applications as commercial,industrial, and automotives areas.

We are looking forward to setting up business relationship with you and hope to provide you with the best service and solution. Let us make a better world for our industry!



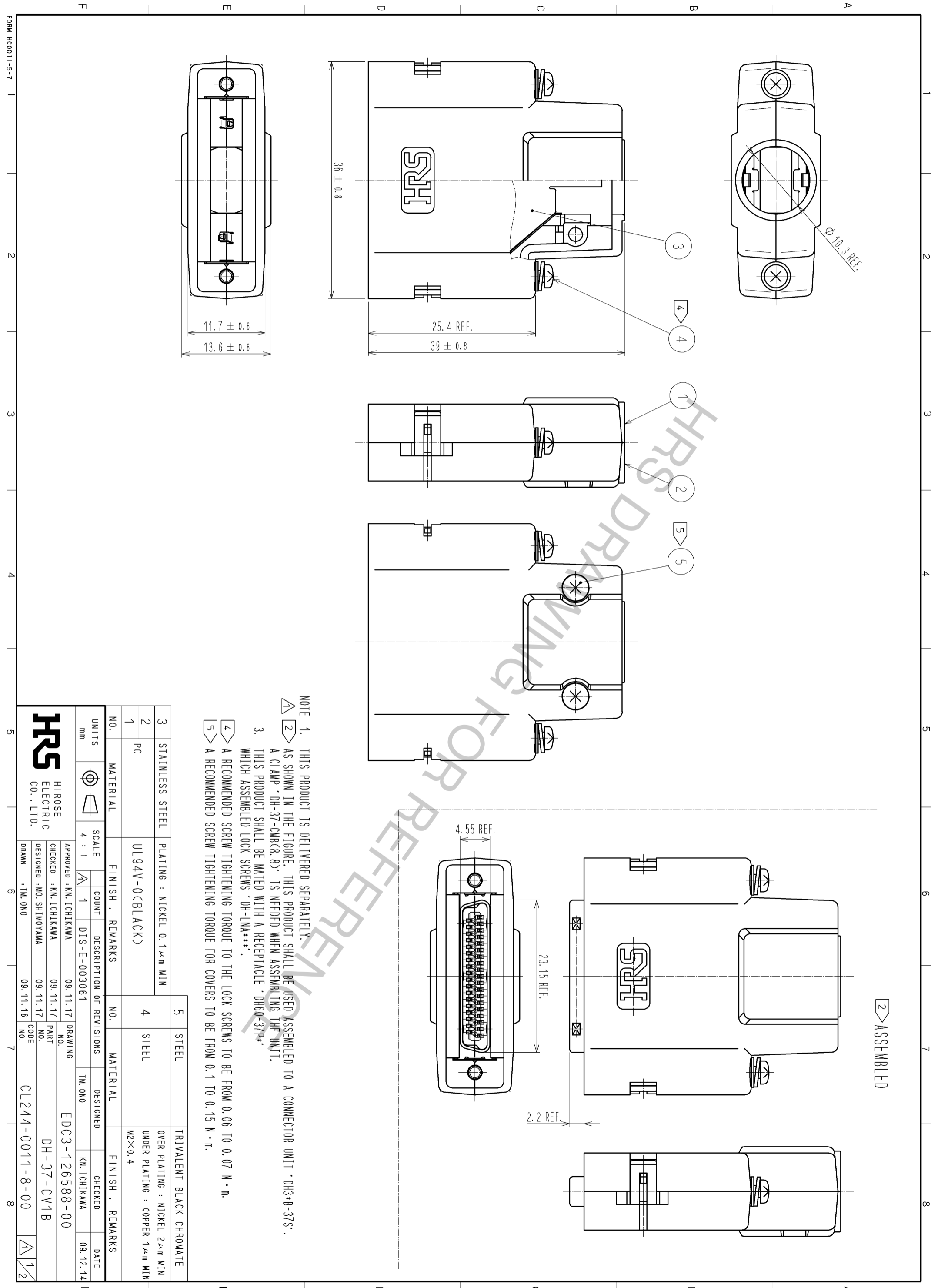
Contact us

Tel: +86-755-8981 8866 Fax: +86-755-8427 6832

Email & Skype: info@chipsmall.com Web: www.chipsmall.com

Address: A1208, Overseas Decoration Building, #122 Zhenhua RD., Futian, Shenzhen, China





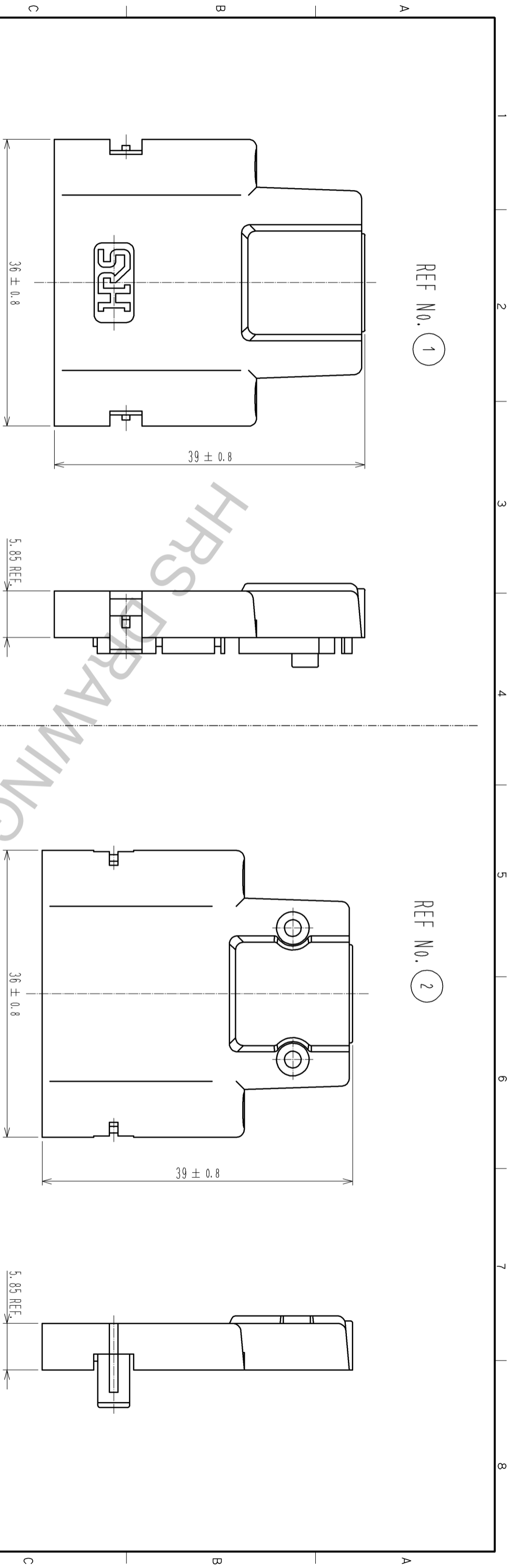
NOTE 1. THIS PRODUCT IS DELIVERED SEPARATELY.
 2 AS SHOWN IN THE FIGURE, THIS PRODUCT SHALL BE USED ASSEMBLED TO A CONNECTOR UNIT · DH3·B-37S·. A CLAMP · DH-37-CMB(8.8) · IS NEEDED WHEN ASSEMBLING THE UNIT.
 3. THIS PRODUCT SHALL BE MATED WITH A RECEPTACLE · DH60-37P+ · WHICH ASSEMBLED LOCK SCREWS · DH-LNA*** ·.
 4 A RECOMMENDED SCREW TIGHTENING TORQUE TO THE LOCK SCREWS TO BE FROM 0.06 TO 0.07 N · m.
 5 A RECOMMENDED SCREW TIGHTENING TORQUE FOR COVERS TO BE FROM 0.1 TO 0.15 N · m.

NO.	UNITS	MATERIAL	FINISH	REMARKS	NO.	MATERIAL	FINISH	REMARKS
3	STAINLESS STEEL	PLATING : NICKEL 0.1 μ m MIN			5	STEEL	TRIVALENT BLACK CHROMATE	
2	PC	UL94V-0(BLACK)			4	STEEL	OVER PLATING : NICKEL 2 μ m MIN UNDER PLATING : COPPER 1 μ m MIN M2X0.4	
1								

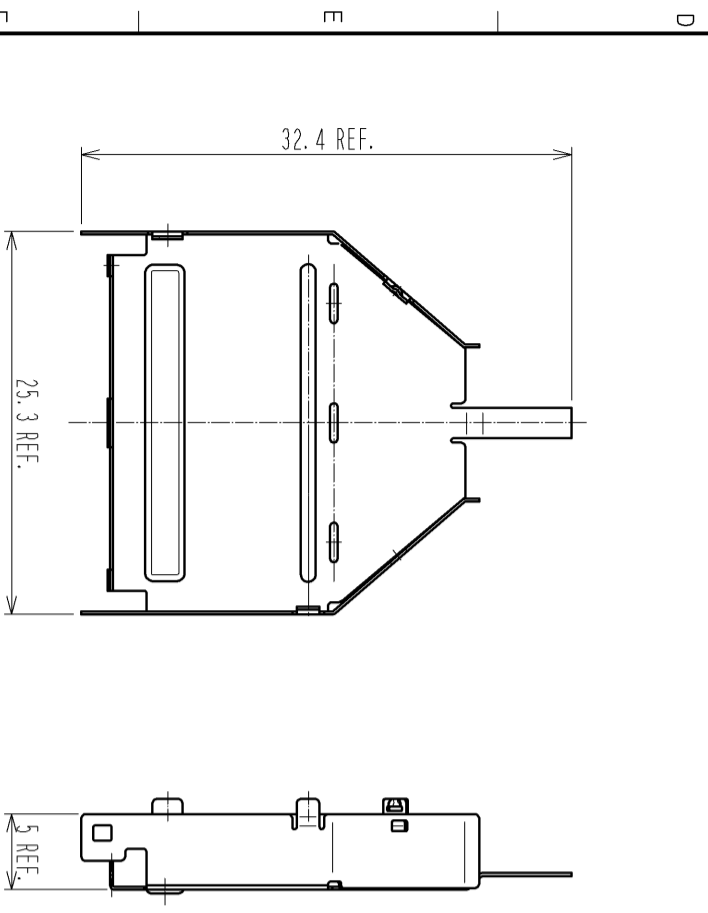
UNITS	SCALE	COUNT	DESCRIPTION OF REVISIONS	DESIGNED	CHECKED	DATE
mm	4 : 1	1	DIS-E-003061	TM. ONO	KN. ICHIKAWA	09.12.14

NO.	DESIGNED	CHECKED	DATE
APPROVED	09.11.17	09.11.17	EDC3-126588-00
CHECKED	09.11.17	09.11.17	
DESIGNED	09.11.17	09.11.17	
DRAWN	09.11.16	09.11.16	

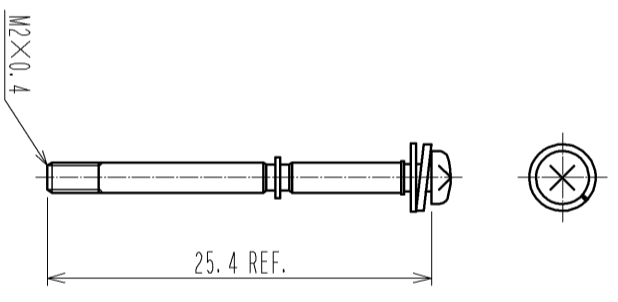
NO.	REVISIONS	DESCRIPTION
1	1	CL244-0011-8-00



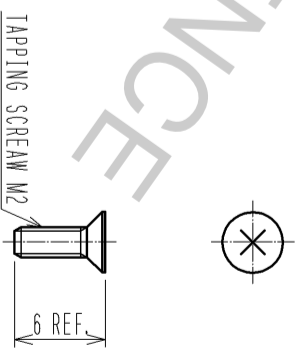
REF NO. ③



REF NO. ④



REF NO. ⑤



HRS	DRAWING NO.	EDC3-126588-00
	PART NO.	DH-37-CV1B
	CODE NO.	CL244-0011-8-00

FORM HC0011-5-8

2

3

4

5

6

7

8

F
E
D
C
B
A

1
2
3
4
5
6
7
8