



Chipsmall Limited consists of a professional team with an average of over 10 year of expertise in the distribution of electronic components. Based in Hongkong, we have already established firm and mutual-benefit business relationships with customers from,Europe,America and south Asia,supplying obsolete and hard-to-find components to meet their specific needs.

With the principle of “Quality Parts,Customers Priority,Honest Operation,and Considerate Service”,our business mainly focus on the distribution of electronic components. Line cards we deal with include Microchip,ALPS,ROHM,Xilinx,Pulse,ON,Everlight and Freescale. Main products comprise IC,Modules,Potentiometer,IC Socket,Relay,Connector.Our parts cover such applications as commercial,industrial, and automotives areas.

We are looking forward to setting up business relationship with you and hope to provide you with the best service and solution. Let us make a better world for our industry!



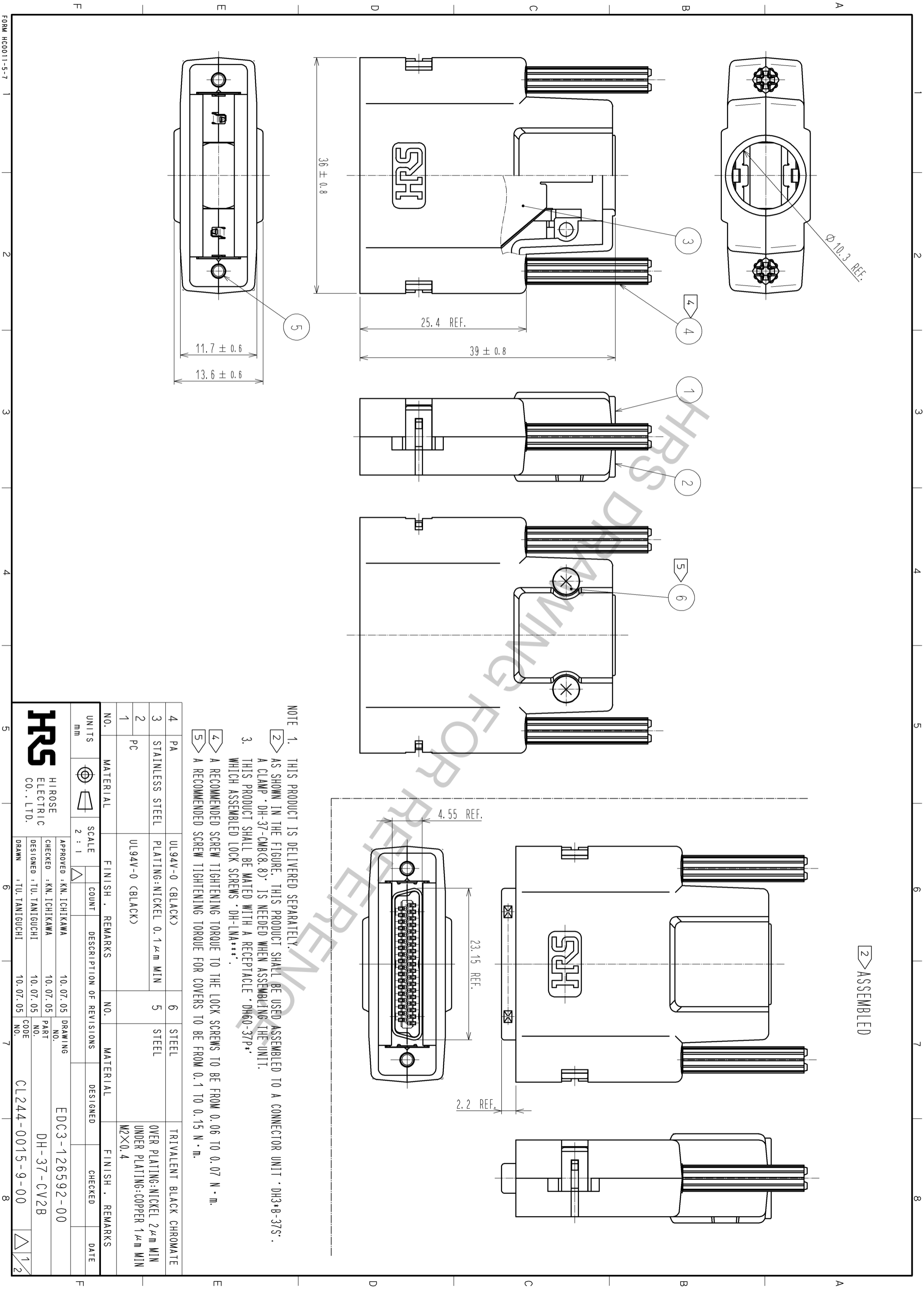
Contact us

Tel: +86-755-8981 8866 Fax: +86-755-8427 6832

Email & Skype: info@chipsmall.com Web: www.chipsmall.com

Address: A1208, Overseas Decoration Building, #122 Zhenhua RD., Futian, Shenzhen, China





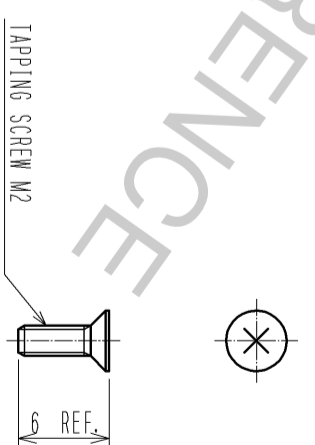
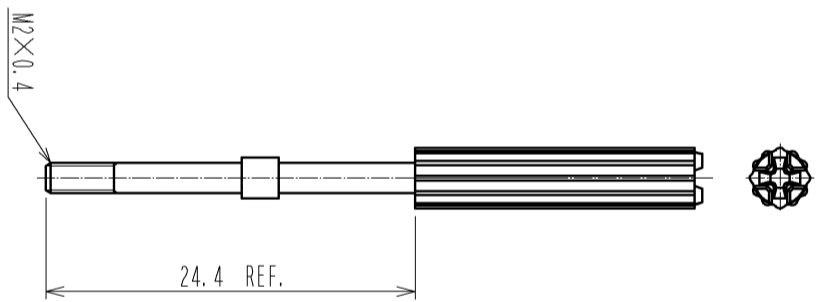
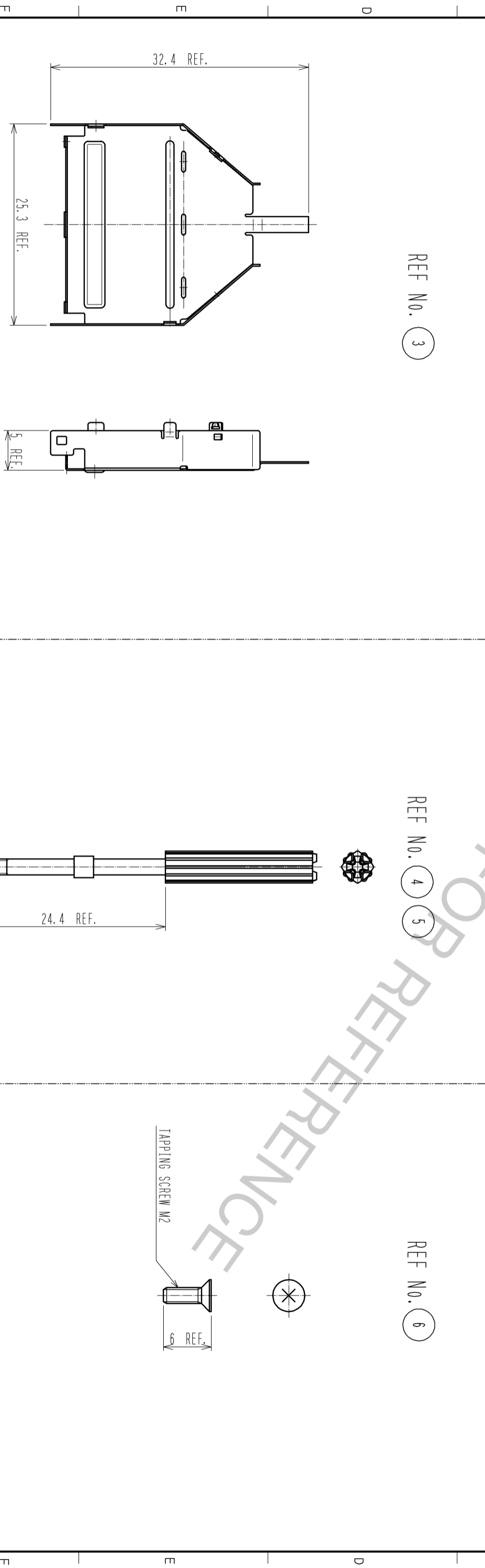
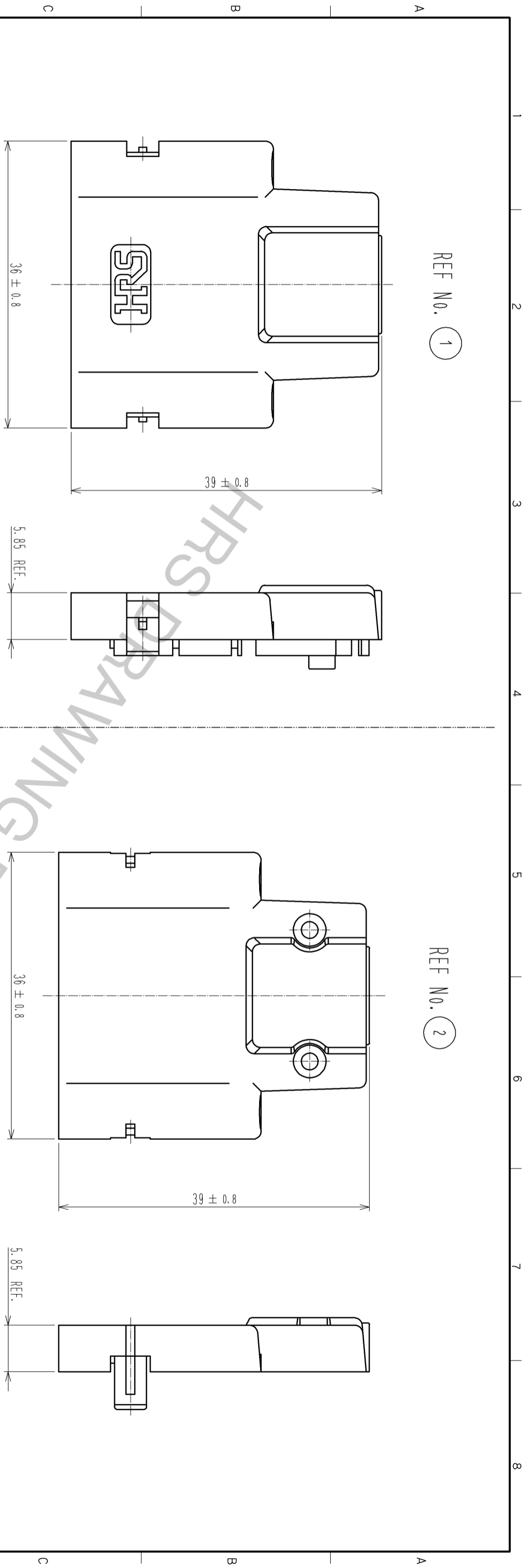
NOTE 1. THIS PRODUCT IS DELIVERED SEPARATELY.
 2 AS SHOWN IN THE FIGURE, THIS PRODUCT SHALL BE USED ASSEMBLED TO A CONNECTOR UNIT · DH3+B-37S · A CLAMP · DH-37-CMB(8.8) · IS NEEDED WHEN ASSEMBLING THE UNIT.
 3. THIS PRODUCT SHALL BE MATED WITH A RECEPTACLE · DH60-37P* · WHICH ASSEMBLED LOCK SCREWS · DH-LMA** ·.
 4 A RECOMMENDED SCREW TIGHTENING TORQUE TO THE LOCK SCREWS TO BE FROM 0.06 TO 0.07 N · m.
 5 A RECOMMENDED SCREW TIGHTENING TORQUE FOR COVERS TO BE FROM 0.1 TO 0.15 N · m.

NO.	MATERIAL	FINISH	REMARKS	NO.	MATERIAL	FINISH	REMARKS
4	PA	UL94V-0 (BLACK)		6	STEEL	TRIVALENT BLACK CHROMATE	
3	STAINLESS STEEL	PLATING:NICKEL 0.1 μ m MIN		5	STEEL	OVER PLATING:NICKEL 2 μ m MIN UNDER PLATING:COPPER 1 μ m MIN	
2	PC	UL94V-0 (BLACK)				M2X0.4	
1							

UNITS	SCALE	COUNT	DESCRIPTION OF REVISIONS	DESIGNED	CHECKED	DATE
mm	2 : 1					

APPROVED	CHECKED	DESIGNED	DRAWING	NO.	PART	NO.	CODE
KN. ICHIKAWA	KN. ICHIKAWA	TU. TANIGUCHI	KN. ICHIKAWA	10.07.05	EDC3-126592-00	10.07.05	
				10.07.05	DH-37-CV2B	10.07.05	
				10.07.05			

HRS HIROSE ELECTRIC CO., LTD.
 DRAWN : TU. TANIGUCHI 10.07.05 NO. CL244-0015-9-00



HRS	
DRAWING NO.	EDC3-126592-00
PART NO.	DH-37-CV2B
CODE NO.	CL244-0015-9-00
	2/2

FORM HC0011-5-8