



Chipsmall Limited consists of a professional team with an average of over 10 year of expertise in the distribution of electronic components. Based in Hongkong, we have already established firm and mutual-benefit business relationships with customers from,Europe,America and south Asia,supplying obsolete and hard-to-find components to meet their specific needs.

With the principle of "Quality Parts,Customers Priority,Honest Operation,and Considerate Service",our business mainly focus on the distribution of electronic components. Line cards we deal with include Microchip,ALPS,ROHM,Xilinx,Pulse,ON,Everlight and Freescale. Main products comprise IC,Modules,Potentiometer,IC Socket,Relay,Connector.Our parts cover such applications as commercial,industrial, and automotives areas.

We are looking forward to setting up business relationship with you and hope to provide you with the best service and solution. Let us make a better world for our industry!



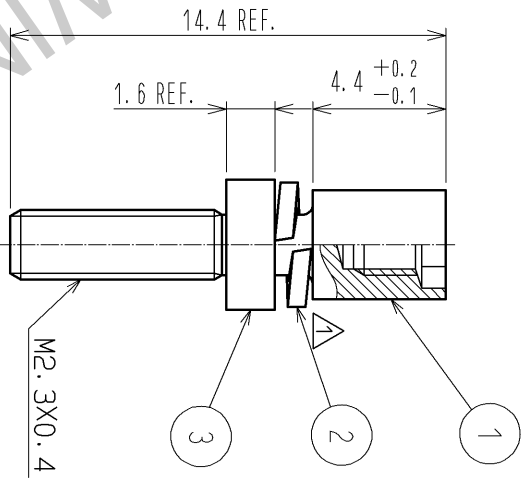
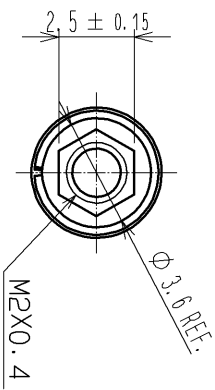
Contact us

Tel: +86-755-8981 8866 Fax: +86-755-8427 6832

Email & Skype: info@chipsmall.com Web: www.chipsmall.com

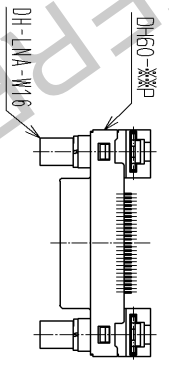
Address: A1208, Overseas Decoration Building, #122 Zhenhua RD., Futian, Shenzhen, China





NOTE 1 THIS PRODUCT IS ASSEMBLED TO A · DH60-**P·.
 THIS PRODUCT IS USED WHEN A PANEL ISN'T USED.
2 THIS PRODUCT IS PACKED IN A BAG.(QUANTITY IN A BAG : 200PCS.)

1 ASSEMBLED(1:1)



NO.	1	STEEL	OVER PLATING : NICKEL 5 μ m MIN UNDER PLATING : COPPER 1 μ m MIN	NO.	2	STEEL	OVER PLATING : NICKEL 5 μ m MIN UNDER PLATING : COPPER 1 μ m MIN
MATERIAL	FINISH . REMARKS		NO.	3	STEEL	OVER PLATING : NICKEL 5 μ m MIN UNDER PLATING : COPPER 1 μ m MIN	FINISH . REMARKS

UNITS mm	SCALE	COUNT	DESCRIPTION OF REVISIONS	DESIGNED	CHECKED	DATE
		4 : 1				

APPROVED : AO. SUZUKI	09.04.27	DRAWING NO.	EDC4-126530-00
CHECKED : MO. SHIMOYAMA	09.04.24	PART NO.	DH-LNA-W16
DESIGNED : TS. ITO	09.04.24	CODE NO.	CL244-0005-5-00
DRAWN : TS. ITO	09.04.24		

