



Chipsmall Limited consists of a professional team with an average of over 10 year of expertise in the distribution of electronic components. Based in Hongkong, we have already established firm and mutual-benefit business relationships with customers from,Europe,America and south Asia,supplying obsolete and hard-to-find components to meet their specific needs.

With the principle of “Quality Parts,Customers Priority,Honest Operation,and Considerate Service”,our business mainly focus on the distribution of electronic components. Line cards we deal with include Microchip,ALPS,ROHM,Xilinx,Pulse,ON,Everlight and Freescale. Main products comprise IC,Modules,Potentiometer,IC Socket,Relay,Connector.Our parts cover such applications as commercial,industrial, and automotives areas.

We are looking forward to setting up business relationship with you and hope to provide you with the best service and solution. Let us make a better world for our industry!



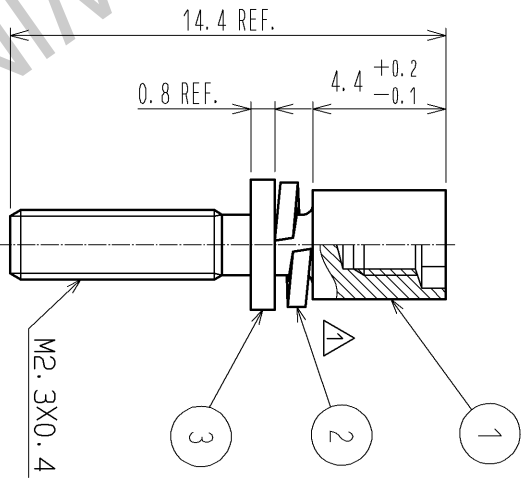
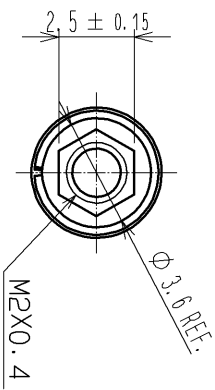
Contact us

Tel: +86-755-8981 8866 Fax: +86-755-8427 6832

Email & Skype: info@chipsmall.com Web: www.chipsmall.com

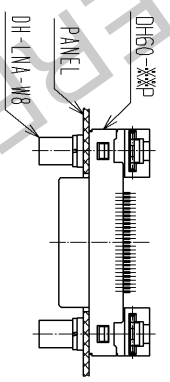
Address: A1208, Overseas Decoration Building, #122 Zhenhua RD., Futian, Shenzhen, China





NOTE 1 THIS PRODUCT IS ASSEMBLED TO A .DH60-**P.
 THE APPLICABLE PANEL THICKNESS IS FROM 0.5 TO 0.8mm.
 2 THIS PRODUCT IS PACKED IN A BAG. (QUANTITY IN A BAG : 200PCS.)

1 ASSEMBLED(1:1)



NO.	1	STEEL	OVER PLATING : NICKEL 5 μ m MIN UNDER PLATING : COPPER 1 μ m MIN	NO.	2	STEEL	OVER PLATING : NICKEL 5 μ m MIN UNDER PLATING : COPPER 1 μ m MIN
MATERIAL	FINISH . REMARKS		NO.	3	STEEL	OVER PLATING : NICKEL 5 μ m MIN UNDER PLATING : COPPER 1 μ m MIN	

UNITS	mm	SCALE	4 : 1	COUNT	1	DESCRIPTION OF REVISIONS	DIS-E-003059	DESIGNED	MO. SHIMOYAMA	CHECKED	KN. ICHIKAWA	DATE	09.12.07
APPROVED : AO. SUZUKI		09.04.27		DRAWING NO.		EDC4-126529-00		DESIGNED		MO. SHIMOYAMA		CHECKED	
CHECKED : MO. SHIMOYAMA		09.04.24		PART NO.		DH-LNA-W8		DESIGNED		KN. ICHIKAWA		CHECKED	
DESIGNED : TS. ITO		09.04.24		CODE NO.		CL244-0004-2-00		DESIGNED		MO. SHIMOYAMA		CHECKED	
DRAWN : TS. ITO		09.04.24		CODE NO.		CL244-0004-2-00		DESIGNED		MO. SHIMOYAMA		CHECKED	

