



Chipsmall Limited consists of a professional team with an average of over 10 year of expertise in the distribution of electronic components. Based in Hongkong, we have already established firm and mutual-benefit business relationships with customers from,Europe,America and south Asia,supplying obsolete and hard-to-find components to meet their specific needs.

With the principle of "Quality Parts,Customers Priority,Honest Operation,and Considerate Service",our business mainly focus on the distribution of electronic components. Line cards we deal with include Microchip,ALPS,ROHM,Xilinx,Pulse,ON,Everlight and Freescale. Main products comprise IC,Modules,Potentiometer,IC Socket,Relay,Connector.Our parts cover such applications as commercial,industrial, and automotives areas.

We are looking forward to setting up business relationship with you and hope to provide you with the best service and solution. Let us make a better world for our industry!



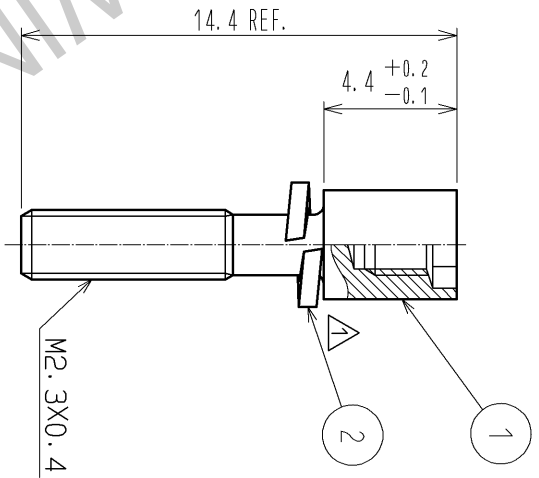
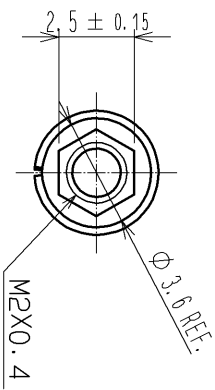
## Contact us

Tel: +86-755-8981 8866 Fax: +86-755-8427 6832

Email & Skype: info@chipsmall.com Web: www.chipsmall.com

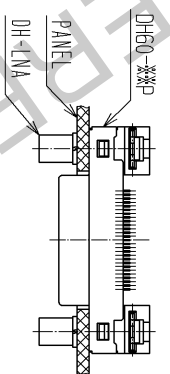
Address: A1208, Overseas Decoration Building, #122 Zhenhua RD., Futian, Shenzhen, China





NOTE 1 THIS PRODUCT IS ASSEMBLED TO A · DH60-\*\*P ·  
 THE APPLICABLE PANEL THICKNESS IS FROM 1.4 TO 1.6mm.  
 2 THIS PRODUCT IS PACKED IN A BAG. (QUANTITY IN A BAG : 200PCS.)

1 ASSEMBLED(1:1)



1	STEEL	OVER PLATING : NICKEL 5 $\mu$ m MIN UNDER PLATING : COPPER 1 $\mu$ m MIN	2	STEEL	OVER PLATING : NICKEL 5 $\mu$ m MIN UNDER PLATING : COPPER 1 $\mu$ m MIN
MATERIAL		FINISH . REMARKS		FINISH . REMARKS	
UNITS	SCALE	COUNT	DESCRIPTION OF REVISIONS	DRAWING NO.	CHECKED DATE
mm	4 : 1	1	DIS-E-003059	MO. SHIMOMYAMA	09.12.07
APPROVED : AO. SUZUKI		DESIGNED : MO. SHIMOMYAMA		EDC4-126895-00	
CHECKED : MO. SHIMOMYAMA		DESIGNED : MO. SHIMOMYAMA		DH-LNA	
DESIGNED : TS. ITO		DESIGNED : TS. ITO		DH-LNA	
DRAWN : TS. ITO		DRAWING NO.		CL244-0045-0-00	

