



Chipsmall Limited consists of a professional team with an average of over 10 year of expertise in the distribution of electronic components. Based in Hongkong, we have already established firm and mutual-benefit business relationships with customers from,Europe,America and south Asia,supplying obsolete and hard-to-find components to meet their specific needs.

With the principle of "Quality Parts,Customers Priority,Honest Operation,and Considerate Service",our business mainly focus on the distribution of electronic components. Line cards we deal with include Microchip,ALPS,ROHM,Xilinx,Pulse,ON,Everlight and Freescale. Main products comprise IC,Modules,Potentiometer,IC Socket,Relay,Connector.Our parts cover such applications as commercial,industrial, and automotives areas.

We are looking forward to setting up business relationship with you and hope to provide you with the best service and solution. Let us make a better world for our industry!



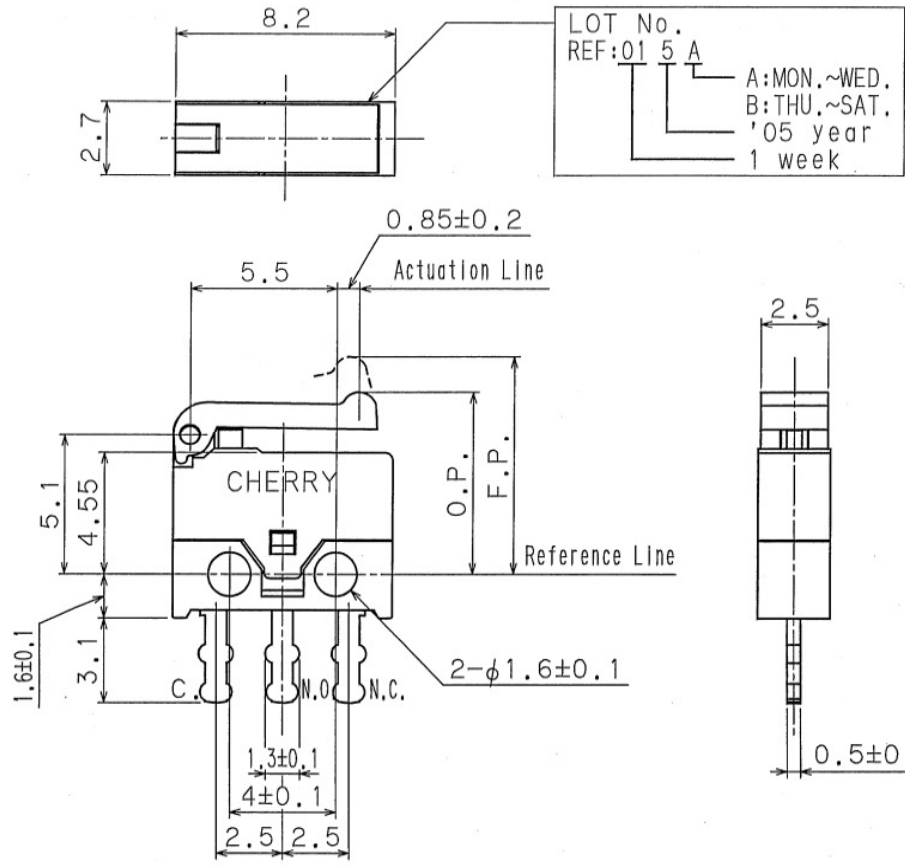
Contact us

Tel: +86-755-8981 8866 Fax: +86-755-8427 6832

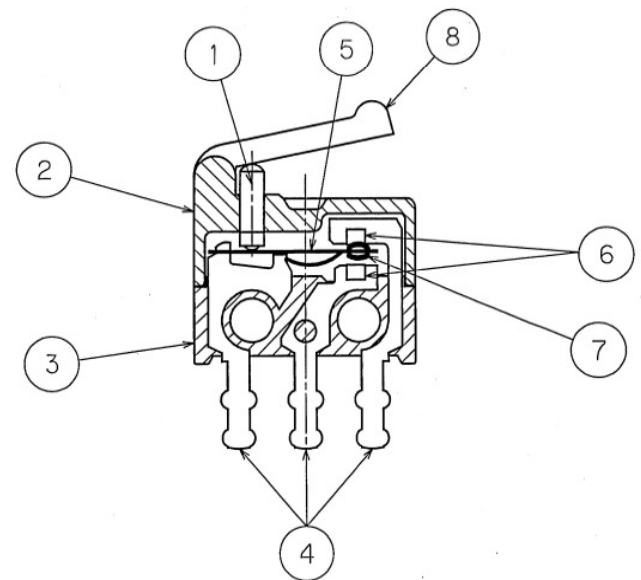
Email & Skype: info@chipsmall.com Web: www.chipsmall.com

Address: A1208, Overseas Decoration Building, #122 Zhenhua RD., Futian, Shenzhen, China

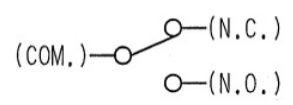




NO	NAME	MATERIAL	Qty
1	BUTTON	PBTP UL94V-0	1
2	COVER	PBTP UL94V-0	1
3	BASE UNIT	PPHS UL94V-0	1
4	BRACKET (COM, NC, NO)	BRASS(SILVER PLATED)	1
5	BLADE	BERYLLIUM COPPER	1
6	STATIONARY CONTACTS	SILVER ALLOY(GOLD FLASHED)	2
7	MOVABLE CONTACTS	SILVER ALLOY(GOLD FLASHED)	1
8	ACTUATOR	PBTP UL94V-0	1



CONSTRUCTION



CIRCUITRY

Note.1. Tolerance; unless otherwise specified ±0.2mm

PRELIMINARY				DWN	CKD	APP	2005. 10. 21 Engineering Dept.
				M. Abe			
ECN-65761	21-10-'05			SCALE	UNITS	PROJ	DIVISION GEOO
2nd Edition	21-10-'05			×	mm	3RD	
REVISE	DATE	REVISE	DATE	CHERRY			
Title	MICRO SWITCH	Part No.	DH2C-B1PA	DWG No.		303631	