



Chipsmall Limited consists of a professional team with an average of over 10 year of expertise in the distribution of electronic components. Based in Hongkong, we have already established firm and mutual-benefit business relationships with customers from,Europe,America and south Asia,supplying obsolete and hard-to-find components to meet their specific needs.

With the principle of “Quality Parts,Customers Priority,Honest Operation,and Considerate Service”,our business mainly focus on the distribution of electronic components. Line cards we deal with include Microchip,ALPS,ROHM,Xilinx,Pulse,ON,Everlight and Freescale. Main products comprise IC,Modules,Potentiometer,IC Socket,Relay,Connector.Our parts cover such applications as commercial,industrial, and automotives areas.

We are looking forward to setting up business relationship with you and hope to provide you with the best service and solution. Let us make a better world for our industry!



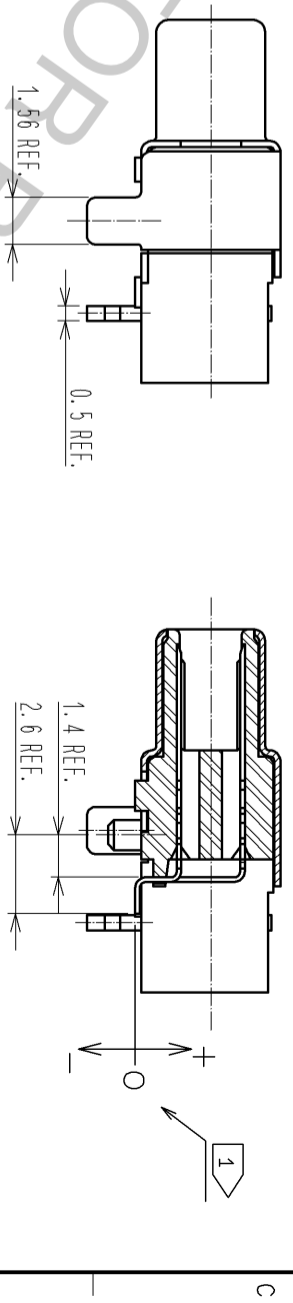
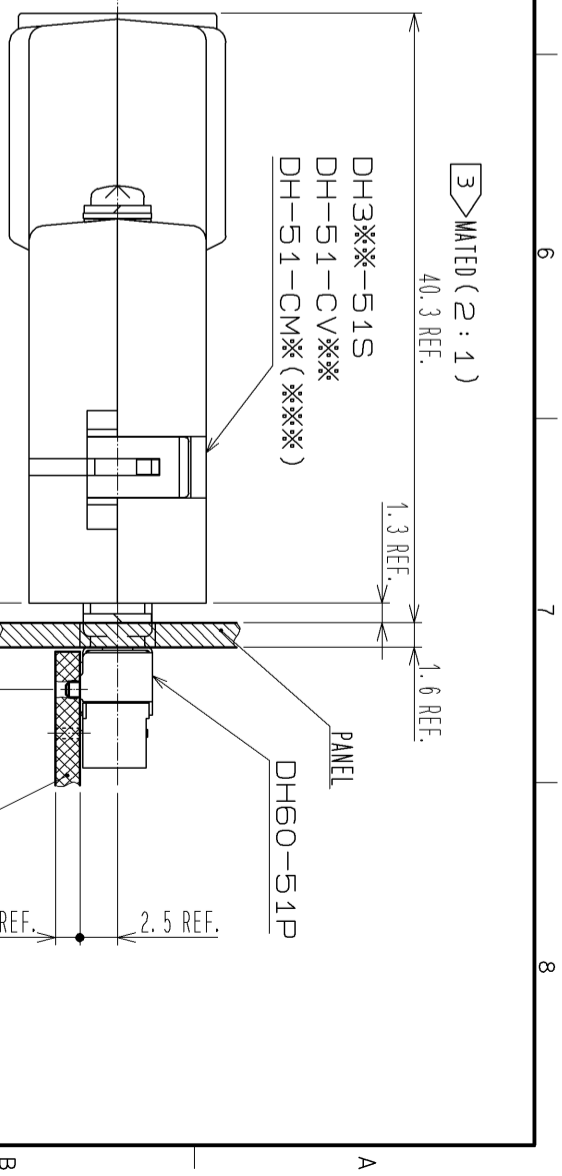
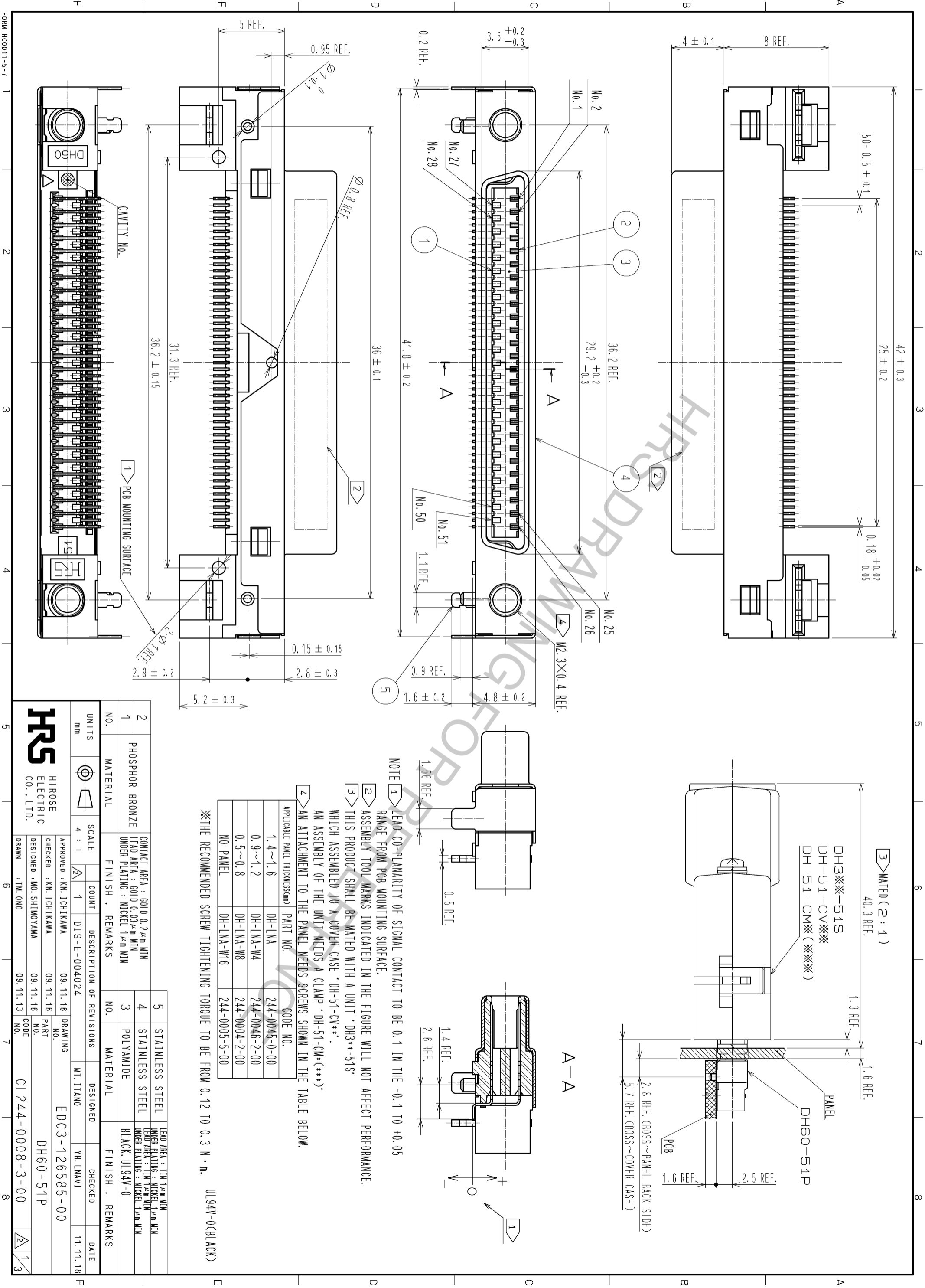
## Contact us

Tel: +86-755-8981 8866 Fax: +86-755-8427 6832

Email & Skype: info@chipsmall.com Web: www.chipsmall.com

Address: A1208, Overseas Decoration Building, #122 Zhenhua RD., Futian, Shenzhen, China





NOTE 1 LEAD CO-PLANARITY OF SIGNAL CONTACT TO BE 0.1 IN THE -0.1 TO +0.05 RANGE FROM PCB MOUNTING SURFACE.

2 ASSEMBLY TOOL MARKS INDICATED IN THE FIGURE WILL NOT AFFECT PERFORMANCE.

3 THIS PRODUCT SHALL BE MATED WITH A UNIT 'DH3\*\*-51S' WHICH ASSEMBLED TO A COVER CASE 'DH-51-CV\*\*'.

AN ASSEMBLY OF THE UNIT NEEDS A CLAMP 'DH-51-CM\*(\*\*\*)'. AN ATTACHMENT TO THE PANEL NEEDS SCREWS SHOWN IN THE TABLE BELOW.

APPLICABLE PANEL THICKNESS(mm)	PART NO.	CODE NO.
1.4~1.6	DH-LNA	244-0045-0-00
0.9~1.2	DH-LNA-W4	244-0046-2-00
0.5~0.8	DH-LNA-W8	244-0004-2-00
NO PANEL	DH-LNA-W16	244-0005-5-00

※THE RECOMMENDED SCREW TIGHTENING TORQUE TO BE FROM 0.12 TO 0.3 N·m.

UL94V-0(BLACK)

NO.	UNITS	MATERIAL	FINISH	REMARKS	NO.	MATERIAL	FINISH	REMARKS
1	PHOSPHOR BRONZE	CONTACT AREA : GOLD 0.2μm MIN LEAD AREA : GOLD 0.03μm MIN UNDER PLATING : NICKEL 1μm MIN			3	POLYAMIDE	BLACK, UL94V-0	
2					4	STAINLESS STEEL	UNDER PLATING : NICKEL 1μm MIN LEAD AREA : TIN 1μm MIN UNDER PLATING : NICKEL 1μm MIN	
					5	STAINLESS STEEL	LEAD AREA : TIN 1μm MIN UNDER PLATING : NICKEL 1μm MIN	

SCALE	COUNT	DESCRIPTION OF REVISIONS	DESIGNED	CHECKED	DATE
4 : 1	1	DIS-E-004024	MT. ITANO	YH. ENAMI	11.11.18

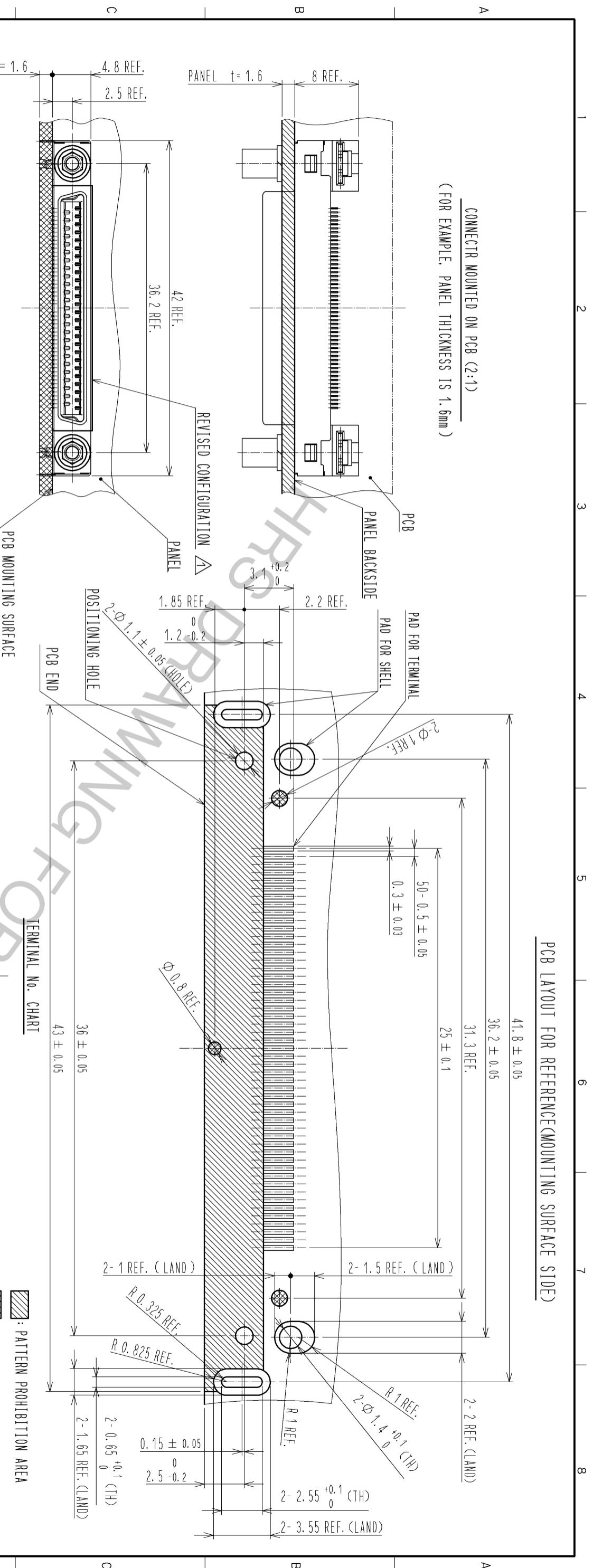
  

APPROVED	CHECKED	DESIGNED	PART NO.	CODE
KN. ICHIKAWA	KN. ICHIKAWA	MO. SHIMOYAMA	09.11.16	09.11.13

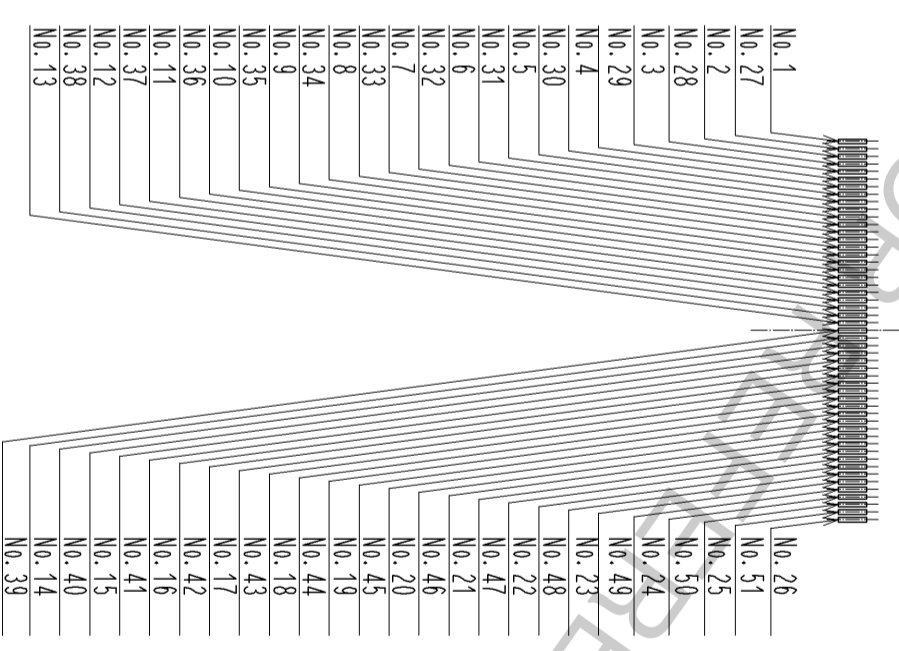
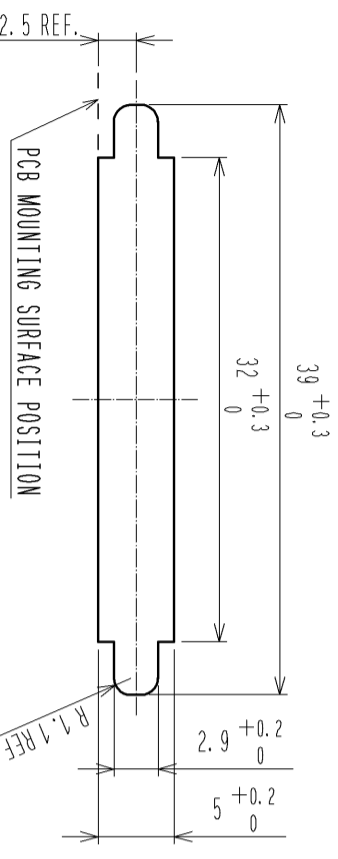
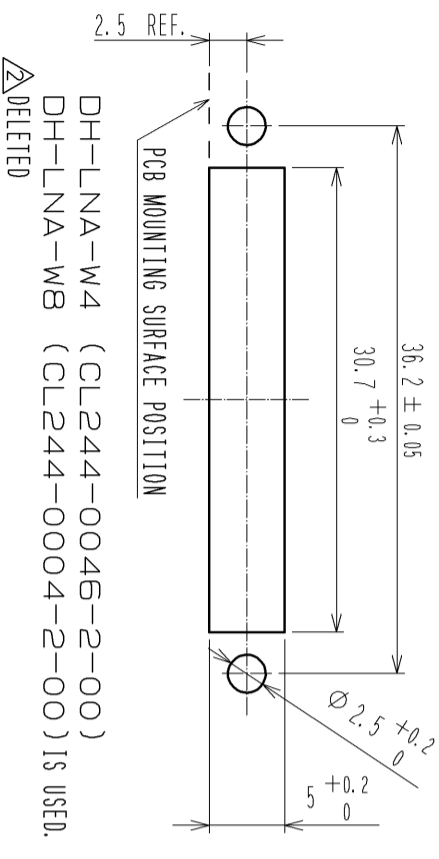
EDC3-126585-00	DH60-51P
CL244-0008-3-00	

CONNECTOR MOUNTED ON PCB (2:1)  
(FOR EXAMPLE, PANEL THICKNESS IS 1.6mm)



PCB LAYOUT FOR REFERENCE(MOUNTING SURFACE SIDE)

PANEL CUTOFF FOR REFERENCE (2:1)  $\triangle$   
(THE DIMENSION IS SPECIFIED BASED ON THE CENTER OF THE CONNECTOR INTERFACE.)  
• DH-LNA (CL244-0045-0-00) IS USED.

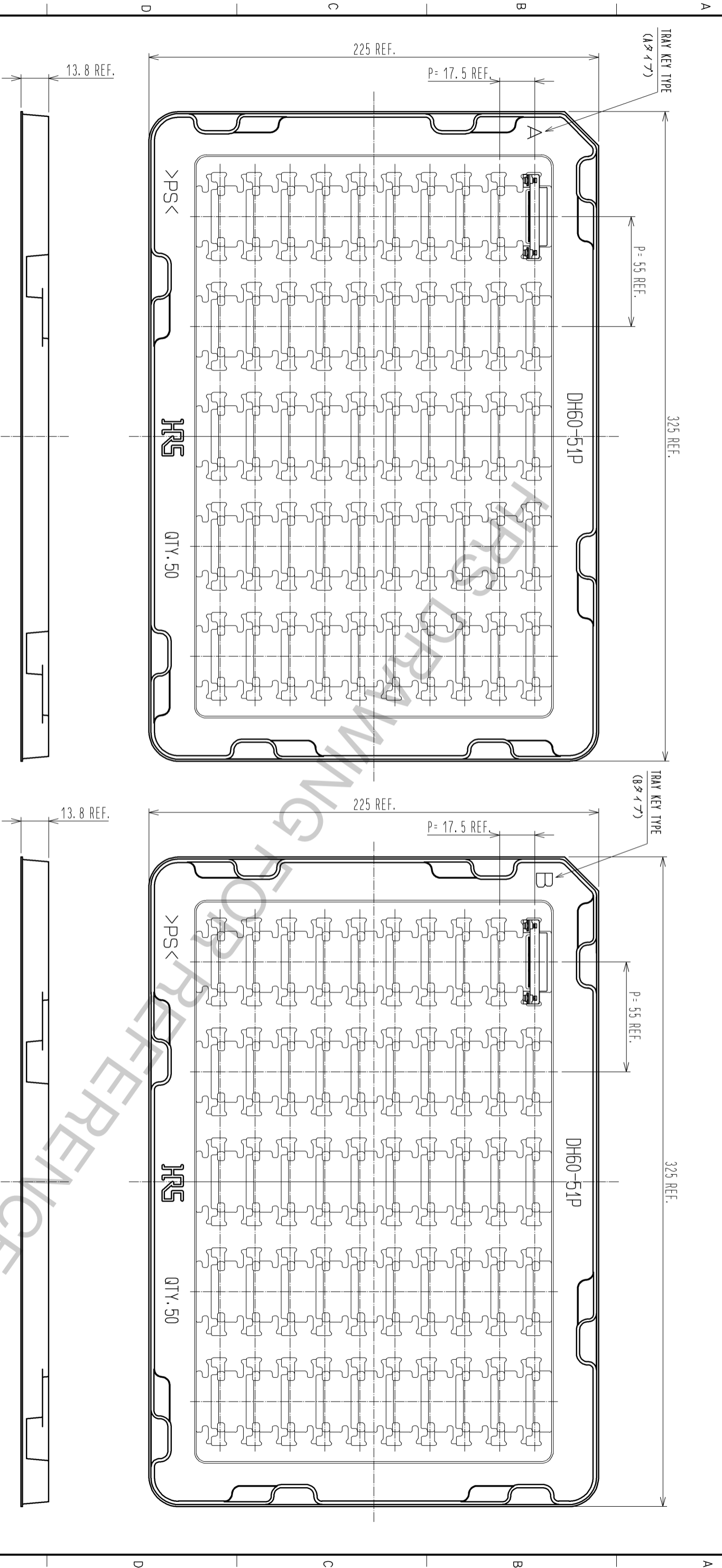


$\square$  : PATTERN PROHIBITION AREA  
 $\square$  : REFERENCE PLANE POSITION

REFERENCE

<b>HRS</b>	DRAWING NO.	EDC3-126585-00
	PART NO.	DH60-51P
	CODE NO.	CL244-0008-3-00
		$\triangle$ 2/3

DRAWING FOR PACKING(1:2)



※TRAYS, A TYPE AND B TYPE, ARE PILED UP ALTERNATELY.

FORM HC0011-5-8

2

3

4

5

6

7

8

<b>HRS</b>	
DRAWING NO.	EDC3-126585-00
PART NO.	DH60-51P
CODE NO.	CL244-0008-3-00
	3/3