



Chipsmall Limited consists of a professional team with an average of over 10 year of expertise in the distribution of electronic components. Based in Hongkong, we have already established firm and mutual-benefit business relationships with customers from,Europe,America and south Asia,supplying obsolete and hard-to-find components to meet their specific needs.

With the principle of “Quality Parts,Customers Priority,Honest Operation,and Considerate Service”,our business mainly focus on the distribution of electronic components. Line cards we deal with include Microchip,ALPS,ROHM,Xilinx,Pulse,ON,Everlight and Freescale. Main products comprise IC,Modules,Potentiometer,IC Socket,Relay,Connector.Our parts cover such applications as commercial,industrial, and automotives areas.

We are looking forward to setting up business relationship with you and hope to provide you with the best service and solution. Let us make a better world for our industry!



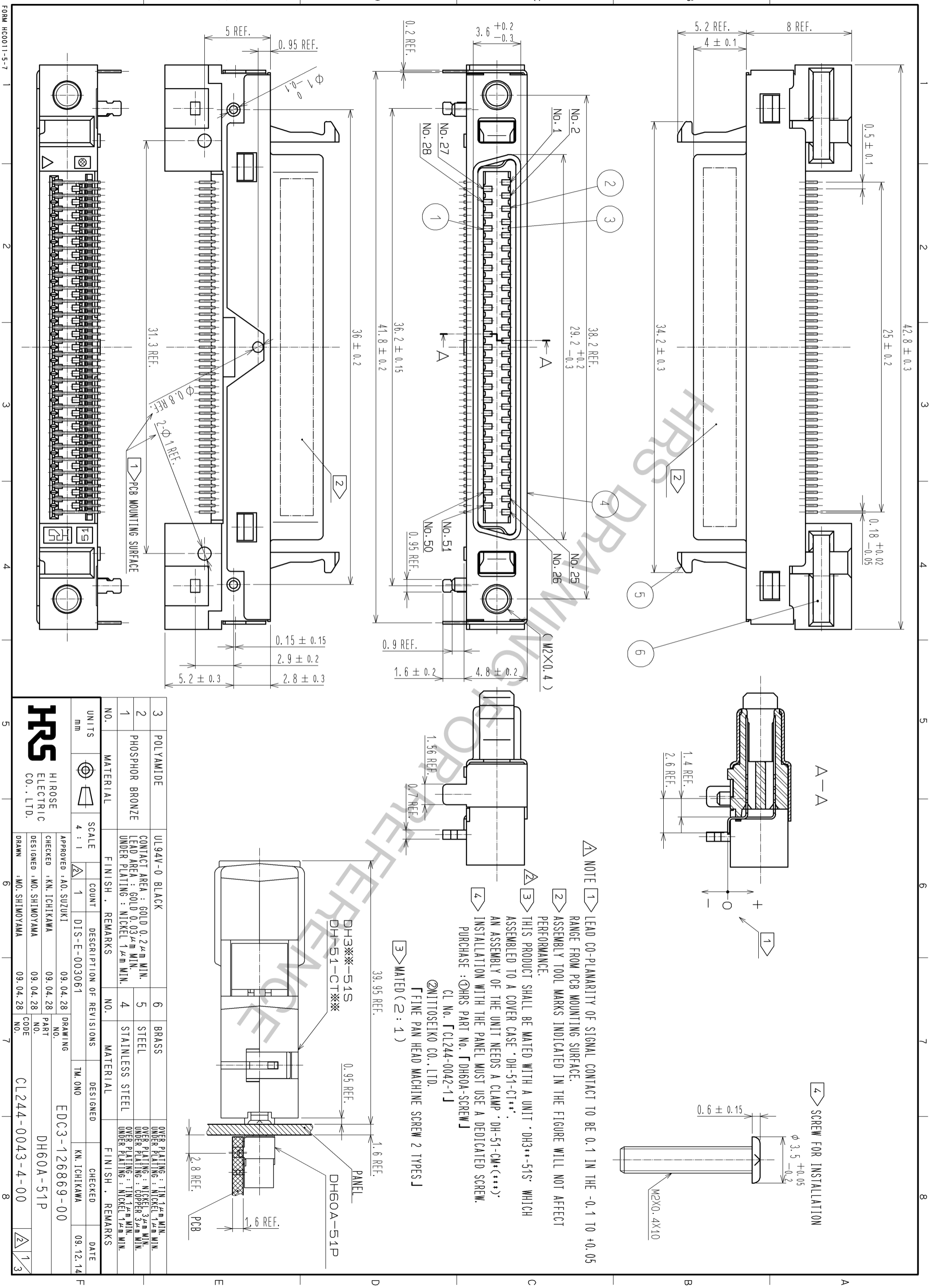
Contact us

Tel: +86-755-8981 8866 Fax: +86-755-8427 6832

Email & Skype: info@chipsmall.com Web: www.chipsmall.com

Address: A1208, Overseas Decoration Building, #122 Zhenhua RD., Futian, Shenzhen, China





FORM HCO011-5-7

3	POLYAMIDE	UL94V-0 BLACK	6	BRASS	OVER PLATING : TIN 1.2μm MIN. UNDER PLATING : NICKEL 1.2μm MIN.
2	PHOSPHOR BRONZE	CONTACT AREA : GOLD 0.2μm MIN. LEAD AREA : GOLD 0.03μm MIN. UNDER PLATING : NICKEL 1.2μm MIN.	5	STEEL	OVER PLATING : NICKEL 3.2μm MIN. UNDER PLATING : COPPER 3.2μm MIN.
1	MATERIAL	FINISH : REMARKS	4	STAINLESS STEEL	OVER PLATING : TIN 1.2μm MIN. UNDER PLATING : NICKEL 1.2μm MIN.

UNITS	SCALE	COUNT	DESCRIPTION OF REVISIONS	DESIGNED	CHECKED	DATE
mm	4 : 1	1	DIS-E-003061	TM. ONO	KN. ICHIKAWA	09.12.14
APPROVED : AO. SUZUKI			09.04.28	DRAWING		
CHECKED : KN. ICHIKAWA			09.04.28	PART		
DESIGNED : MO. SHIMOYAMA			09.04.28	NO.		
DRAWN : MO. SHIMOYAMA			09.04.28	CODE		
				NO.		

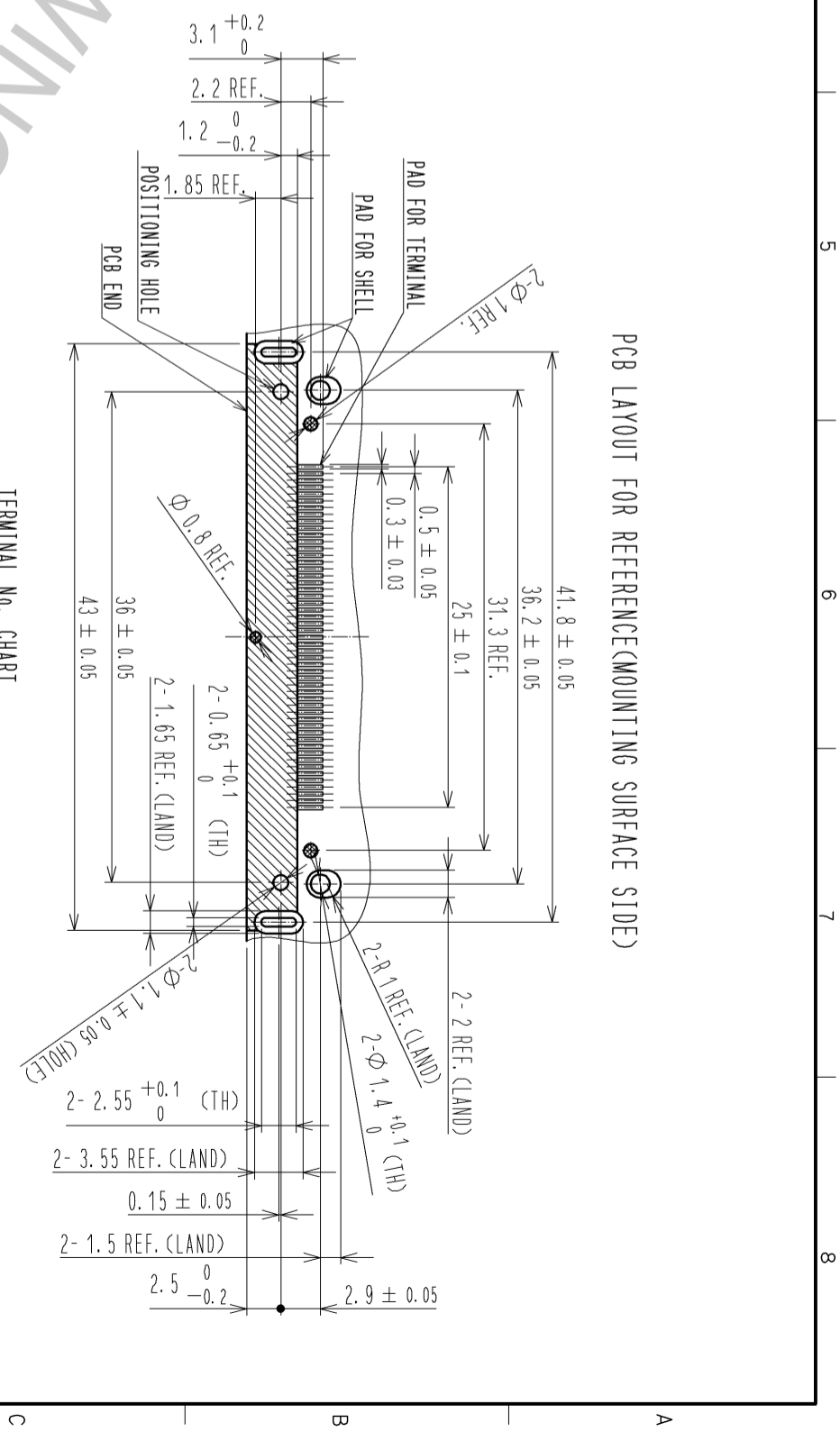
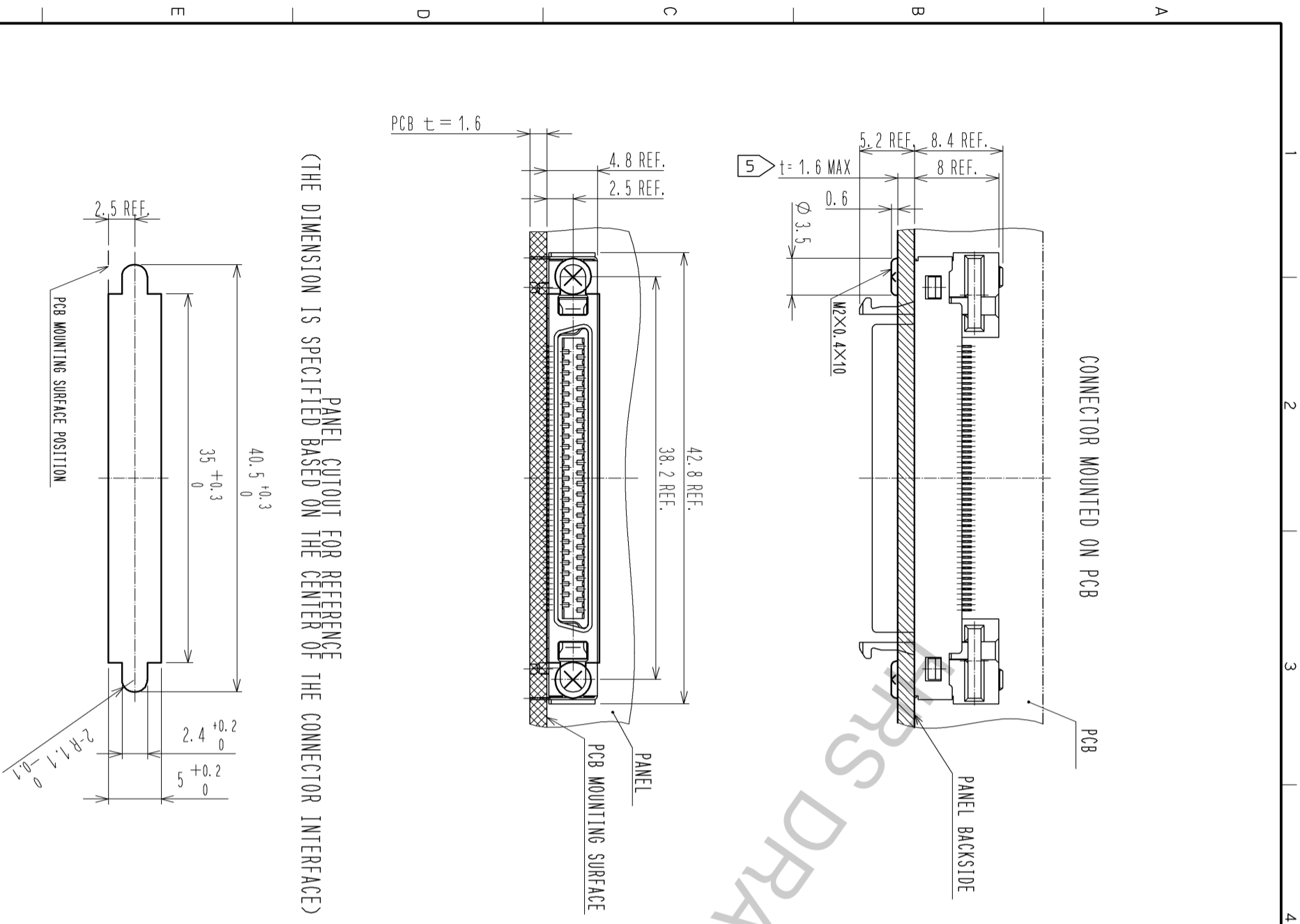
EDC3-126869-00

DH60A-51P

CL244-0043-4-00



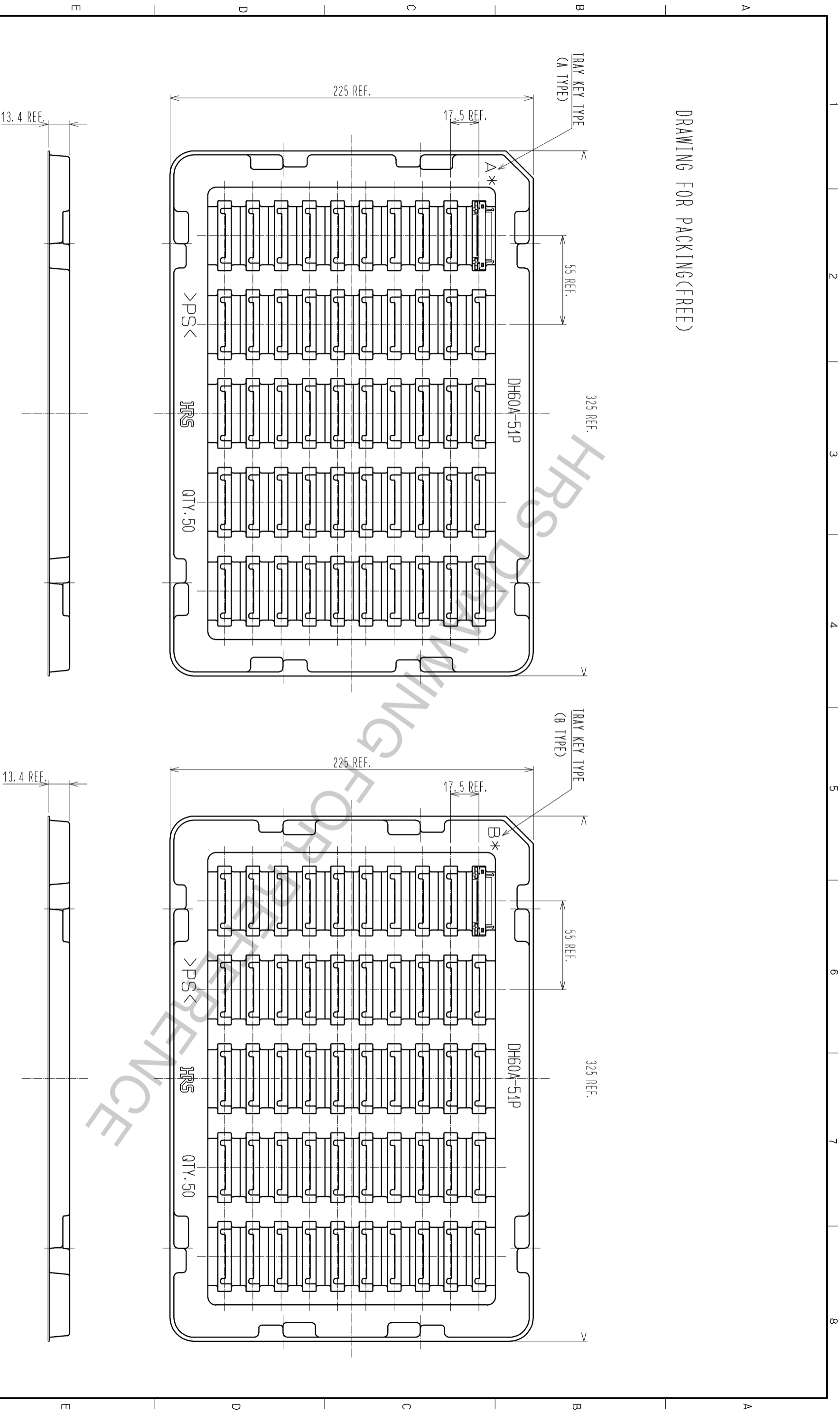
CL244-0042-1 J
②NITTOSEIKO CO., LTD.
FINE PAN HEAD MACHINE SCREW 2 TYPES J
MATED (2 : 1)



No. 1	No. 26
No. 2	No. 27
No. 3	No. 28
No. 4	No. 29
No. 5	No. 30
No. 6	No. 31
No. 7	No. 32
No. 8	No. 33
No. 9	No. 34
No. 10	No. 35
No. 11	No. 36
No. 12	No. 37
No. 13	No. 38
No. 14	No. 39
No. 15	No. 40
No. 16	No. 41
No. 17	No. 42
No. 18	No. 43
No. 19	No. 44
No. 20	No. 45
No. 21	No. 46
No. 22	No. 47
No. 23	No. 48
No. 24	No. 49
No. 25	No. 50
No. 26	No. 51
No. 27	No. 52
No. 28	No. 53
No. 29	No. 54
No. 30	No. 55
No. 31	No. 56
No. 32	No. 57
No. 33	No. 58
No. 34	No. 59
No. 35	No. 60
No. 36	No. 61
No. 37	No. 62
No. 38	No. 63
No. 39	No. 64
No. 40	No. 65
No. 41	No. 66
No. 42	No. 67
No. 43	No. 68
No. 44	No. 69
No. 45	No. 70
No. 46	No. 71
No. 47	No. 72
No. 48	No. 73
No. 49	No. 74
No. 50	No. 75
No. 51	No. 76
No. 52	No. 77
No. 53	No. 78
No. 54	No. 79
No. 55	No. 80
No. 56	No. 81
No. 57	No. 82
No. 58	No. 83
No. 59	No. 84
No. 60	No. 85
No. 61	No. 86
No. 62	No. 87
No. 63	No. 88
No. 64	No. 89
No. 65	No. 90
No. 66	No. 91
No. 67	No. 92
No. 68	No. 93
No. 69	No. 94
No. 70	No. 95
No. 71	No. 96
No. 72	No. 97
No. 73	No. 98
No. 74	No. 99
No. 75	No. 100

NOTE 5 PANEL THICKNESS IS 1.6mm MAX.

DRAWING FOR PACKING(FREE)



※TRAYS, A TYPE AND B TYPE, ARE PILED UP ALTERNATELY.

FORM HC0011-5-8

2

3

4

5

6

7

8

HRS	
DRAWING NO.	EDC3-126869-00
PART NO.	DH60A-51P
CODE NO.	CL244-0043-4-00
	3/3