



Chipsmall Limited consists of a professional team with an average of over 10 year of expertise in the distribution of electronic components. Based in Hongkong, we have already established firm and mutual-benefit business relationships with customers from,Europe,America and south Asia,supplying obsolete and hard-to-find components to meet their specific needs.

With the principle of “Quality Parts,Customers Priority,Honest Operation,and Considerate Service”,our business mainly focus on the distribution of electronic components. Line cards we deal with include Microchip,ALPS,ROHM,Xilinx,Pulse,ON,Everlight and Freescale. Main products comprise IC,Modules,Potentiometer,IC Socket,Relay,Connector.Our parts cover such applications as commercial,industrial, and automotives areas.

We are looking forward to setting up business relationship with you and hope to provide you with the best service and solution. Let us make a better world for our industry!



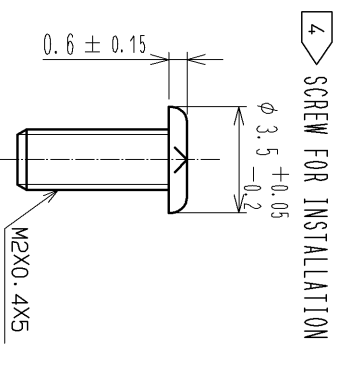
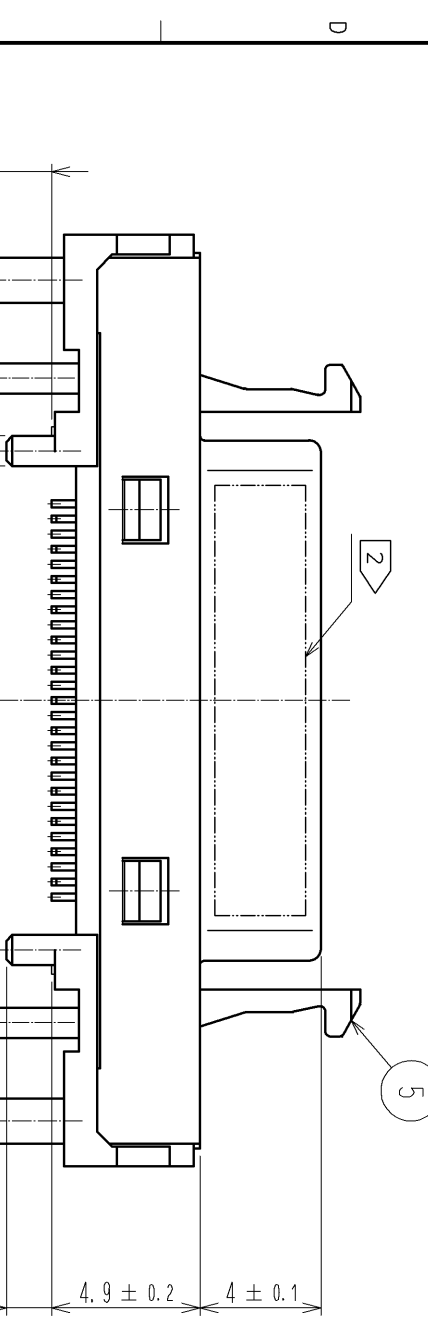
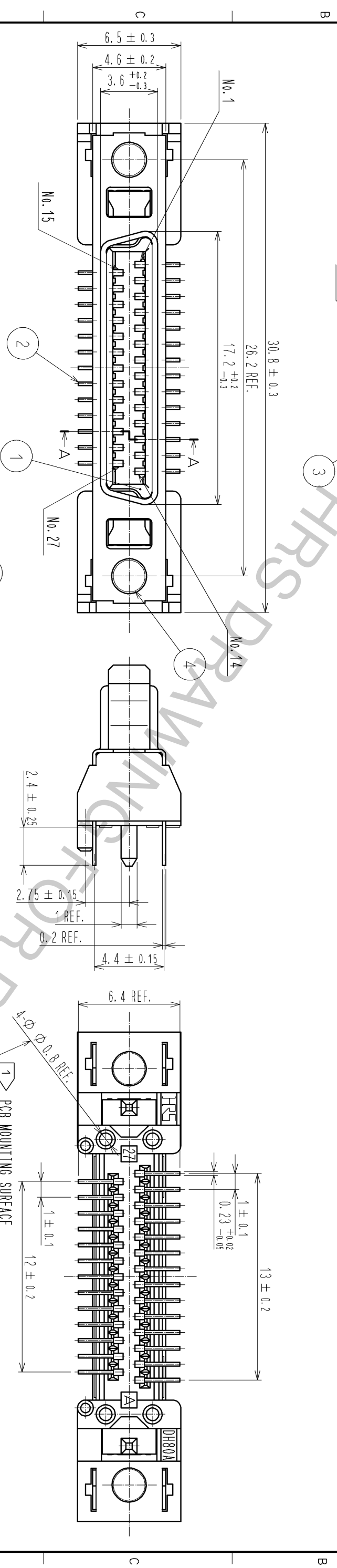
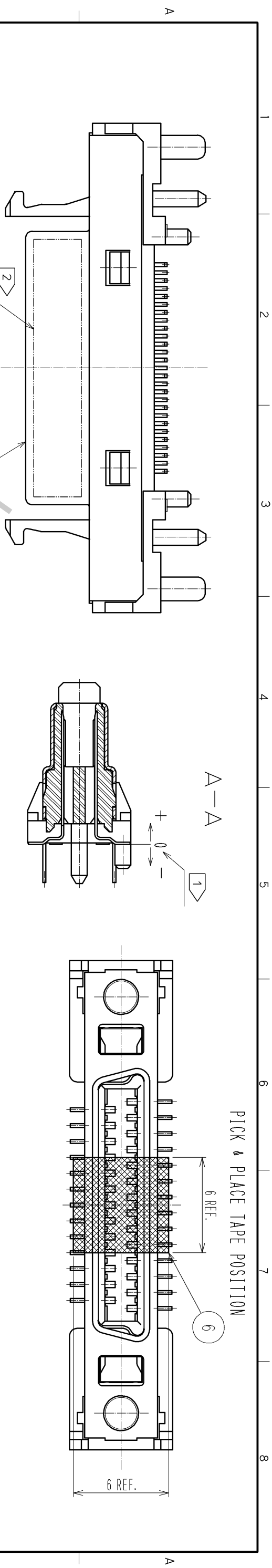
## Contact us

Tel: +86-755-8981 8866 Fax: +86-755-8427 6832

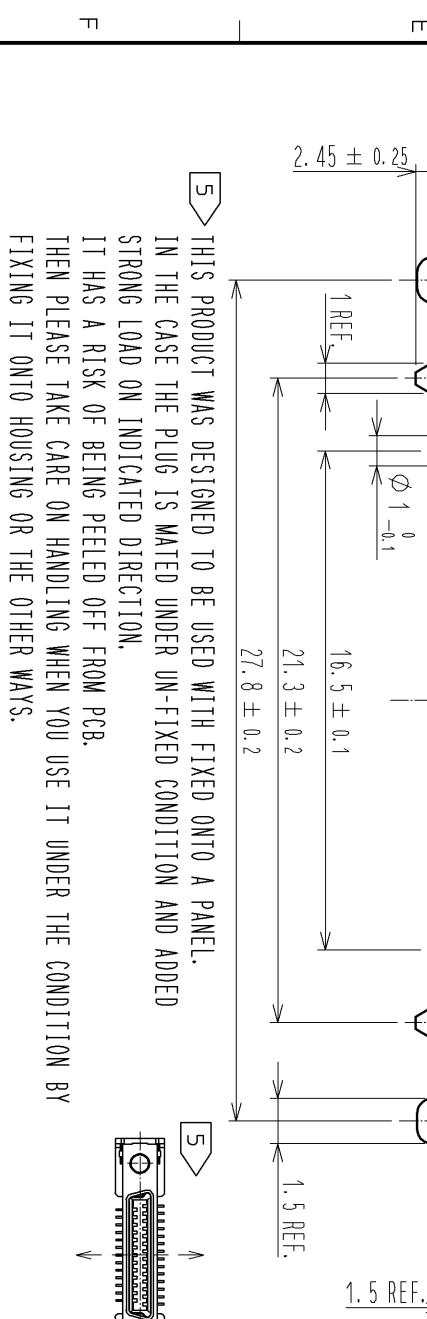
Email & Skype: info@chipsmall.com Web: www.chipsmall.com

Address: A1208, Overseas Decoration Building, #122 Zhenhua RD., Futian, Shenzhen, China





NOTE 1 LEAD CO-PLANARITY OF SIGNAL CONTACT TO BE 0.1 IN THE -0.1 TO +0.05 RANGE FROM PCB MOUNTING SURFACE.  
 2 ASSEMBLY TOOL MARKS INDICATED IN THE FIGURE WILL NOT AFFECT PERFORMANCE.  
 3 HIS PRODUCT SHALL BE MATED WITH A UNIT 'DH\*\*+27S' WHICH ASSEMBLED TO A COVER CASE 'DH-27-CT\*\*'.  
 4 AN ASSEMBLY OF THE UNIT NEEDS A CLAMP 'DH-27-CM\*(\*)'.  
 INSTALLATION WITH THE PANEL MUST USE A DEDICATED SCREW.  
 PURCHASE : NITTOSEIKO CO., LTD. [FINE PAN-HEAD MACHINE SCREW 2 TYPES]



5 THIS PRODUCT WAS DESIGNED TO BE USED WITH FIXED ONTO A PANEL. IN THE CASE THE PLUG IS MATED UNDER UN-FIXED CONDITION AND ADDED STRONG LOAD ON INDICATED DIRECTION, IT HAS A RISK OF BEING PEELLED OFF FROM PCB. THEN PLEASE TAKE CARE ON HANDLING WHEN YOU USE IT UNDER THE CONDITION BY FIXING IT ONTO HOUSING OR THE OTHER WAYS.

NO.	MATERIAL	FINISH	REMARKS	NO.	MATERIAL	FINISH	REMARKS
1	POLYAMIDE	BLACK U194V-0		4	STEEL		
2	PHOSPHOR BRONZE	CONTACT AREA : GOLD 0.2μm MIN LEAD AREA : GOLD 0.03μm MIN UNDER PLATING : NICKEL 1μm MIN		5	STEEL		
3	STAINLESS STEEL	LEAD AREA : TIN 3μm MIN UNDER PLATING : NICKEL 1μm MIN		6	PICK & PLACE TAPE		

UNITS	SCALE	COUNT	DESCRIPTION OF REVISIONS	DESIGNED	CHECKED	DATE
mm	4 : 1					

**HRS**  
 HIROSE ELECTRIC CO., LTD.

APPROVED : AO. SUZUKI  
 CHECKED : KN. ICHIKAWA  
 DESIGNED : MO. SHIMOYAMA  
 DRAWN : MO. SHIMOYAMA

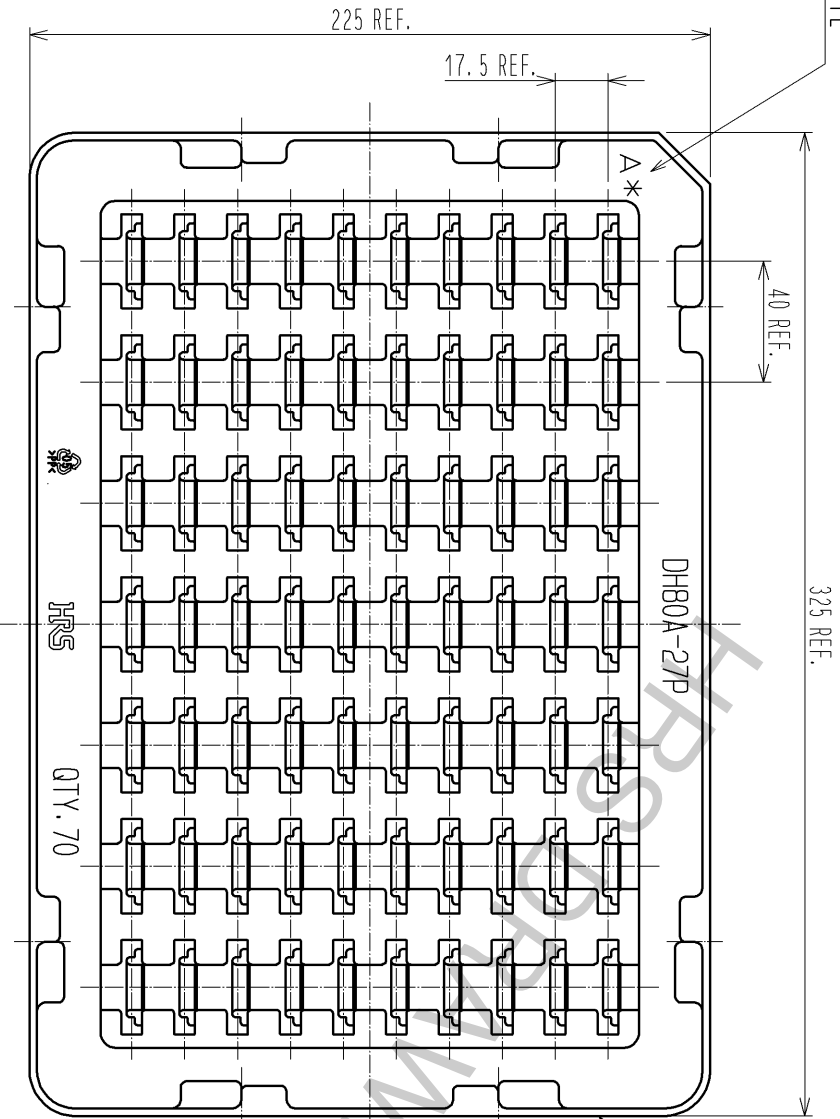
10.09.02  
 10.09.02  
 10.09.02  
 10.09.02

EDC3-127044-00  
 DH80A-27P  
 CL244-0052-5-00

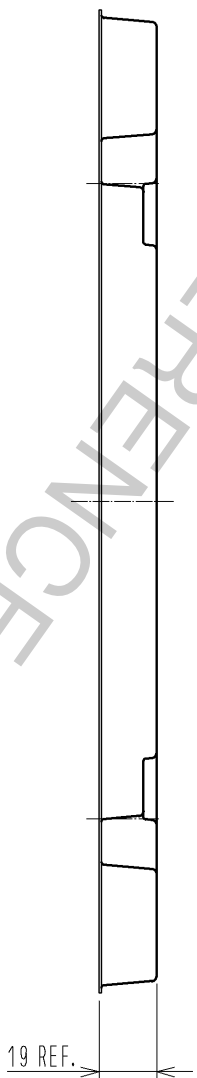
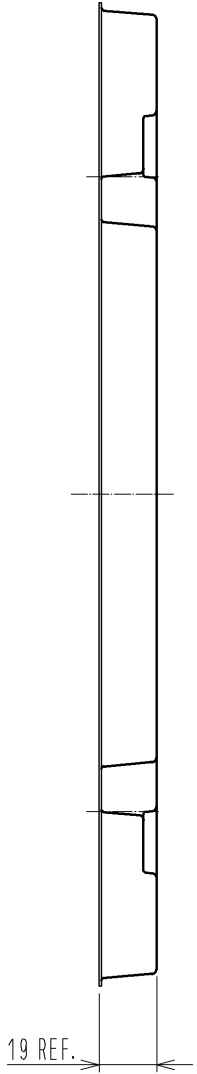
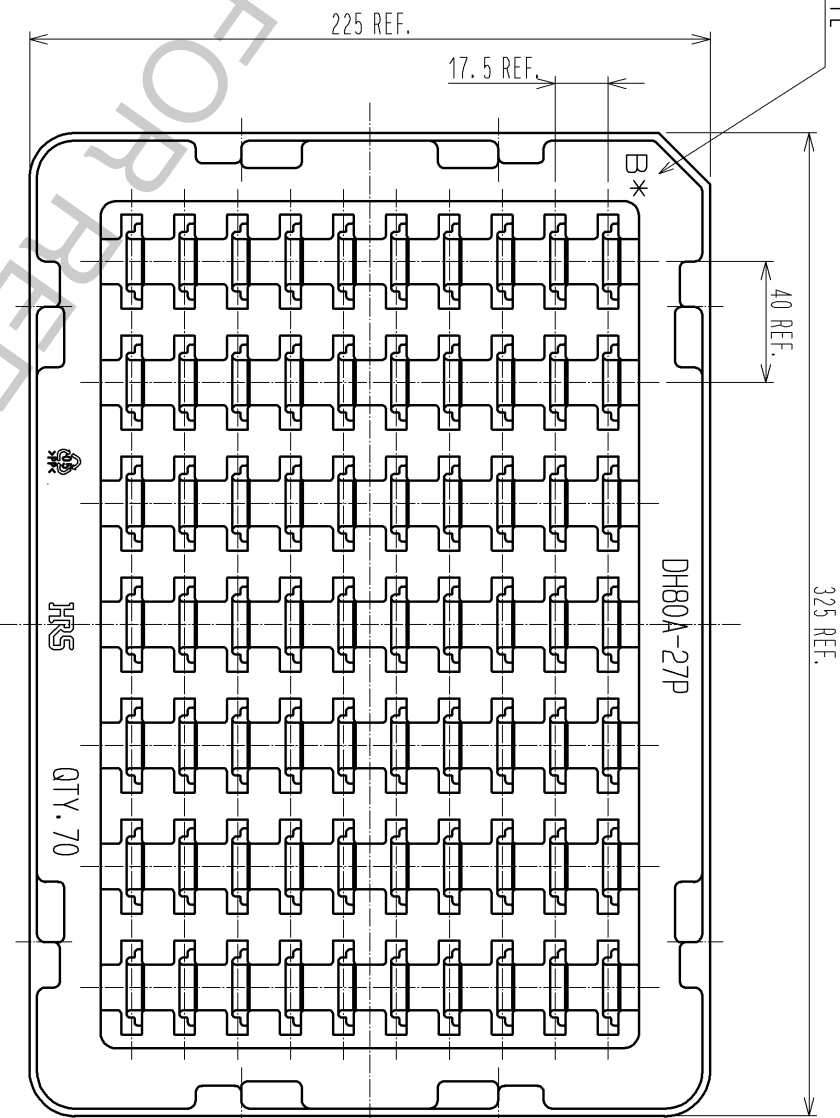


DRAWING FOR PACKING(FREE)

TRAY KEY TYPE  
(A TYPE)



TRAY KEY TYPE  
(B TYPE)



※TRAYS, A TYPE AND B TYPE, ARE PILED UP ALTERNATELY.

<b>HRS</b>	DRAWING NO.	EDC3-127044-00
	PART NO.	DH80A-27P
	CODE NO.	CL244-0052-5-00

