



Chipsmall Limited consists of a professional team with an average of over 10 year of expertise in the distribution of electronic components. Based in Hongkong, we have already established firm and mutual-benefit business relationships with customers from,Europe,America and south Asia,supplying obsolete and hard-to-find components to meet their specific needs.

With the principle of "Quality Parts,Customers Priority,Honest Operation,and Considerate Service",our business mainly focus on the distribution of electronic components. Line cards we deal with include Microchip,ALPS,ROHM,Xilinx,Pulse,ON,Everlight and Freescale. Main products comprise IC,Modules,Potentiometer,IC Socket,Relay,Connector.Our parts cover such applications as commercial,industrial, and automotives areas.

We are looking forward to setting up business relationship with you and hope to provide you with the best service and solution. Let us make a better world for our industry!



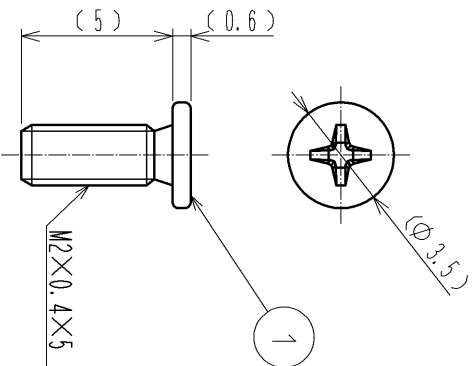
Contact us

Tel: +86-755-8981 8866 Fax: +86-755-8427 6832

Email & Skype: info@chipsmall.com Web: www.chipsmall.com

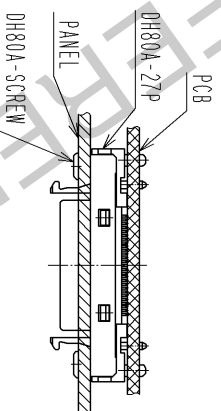
Address: A1208, Overseas Decoration Building, #122 Zhenhua RD., Futian, Shenzhen, China





NOTE
 1 THIS PRODUCT IS ASSEMBLED TO A 'DH80A-***P'.
 THE APPLICABLE PANEL THICKNESS IS MAX 1.6mm
 2 THIS PRODUCT IS PACKED IN A BAG.(QUANTITY IN A BAG :200PCS.)

1 ASSEMBLED (1 : 1)



1	STEEL	NICKEL								
NO.	MATERIAL	FINISH .	REMARKS	NO.	MATERIAL	FINISH .	REMARKS			
UNITS		SCALE	COUNT	DESCRIPTION OF REVISIONS	DESIGNED	CHECKED	DATE			
mm		4 : 1								
		APPROVED : AO.SUZUKI		11.04.11	DRAWING NO.	EDC4-127363-00				
		CHECKED : KN. ICHIKAWA		11.04.11	PART NO.	DH80A-SCREW				
		DESIGNED : MO. SHIMOYAMA		11.04.11	CODE NO.	CL244-0059-4-00				
		DRAWN : MO. SHIMOYAMA		11.04.11						

HRS HIROSE ELECTRIC CO., LTD.