



Chipsmall Limited consists of a professional team with an average of over 10 year of expertise in the distribution of electronic components. Based in Hongkong, we have already established firm and mutual-benefit business relationships with customers from,Europe,America and south Asia,supplying obsolete and hard-to-find components to meet their specific needs.

With the principle of “Quality Parts,Customers Priority,Honest Operation,and Considerate Service”,our business mainly focus on the distribution of electronic components. Line cards we deal with include Microchip,ALPS,ROHM,Xilinx,Pulse,ON,Everlight and Freescale. Main products comprise IC,Modules,Potentiometer,IC Socket,Relay,Connector.Our parts cover such applications as commercial,industrial, and automotives areas.

We are looking forward to setting up business relationship with you and hope to provide you with the best service and solution. Let us make a better world for our industry!



## Contact us

Tel: +86-755-8981 8866 Fax: +86-755-8427 6832

Email & Skype: info@chipsmall.com Web: www.chipsmall.com

Address: A1208, Overseas Decoration Building, #122 Zhenhua RD., Futian, Shenzhen, China

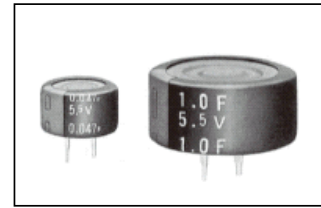


**NEW****DHL series** Electoric Double Layer Capacitor "DYNACAP"**ELNA®**

5.5V Wider Temperature range Capacitors

GREEN  
CAP

85°C



Marking color:White print on an indigo sleeve

Wider temperature range

DHL

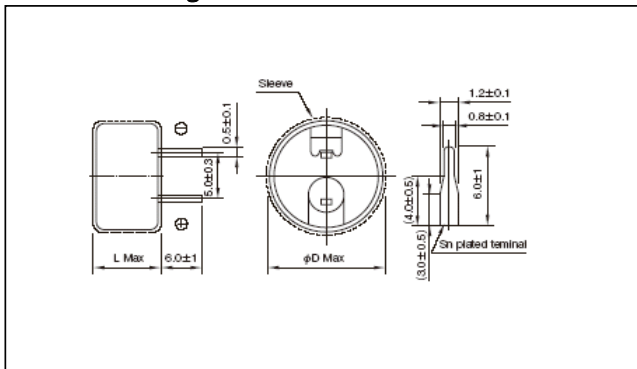


DH

## ■ 規格表

Item	Performance				
Category temperature range(°C)	- 40 ~ + 85				
Tolerance at rated capacitance(%)	- 20 ~ + 80				
Internal resistance at 1kHz(Ω )	Rated capacitance(F)	0.047	0.1	0.22	1.0
	Internal resistance (Ω )	40	40	40	20
Characteristics at high and low temperature	Percentage of capacitance change	Within ± 30% of the value at 20°C			
	Internal resistance	- 40°C :Less than 7 times of the value at 20°C 85°C :Less than 5 times of the value at 20°C			
Endurance(85°C)	Test time	1000 hours			
	Percentage of capacitance change	Within ± 30% of the initial measured value			
	Internal resistance	Within 4 times of the initial specified value			
Shelf life(85°C)	Test time:1000 hours;Same as endurance.				
Applicable standards	Conform to J IS C 5160-1 2009				

## ■ Outline Drawing



## ■ Part numbering system (example:5.5V0.1F )

DHL	-	5R5	D	104	T
Series code		Max.operating voltage symbol		Rated capacitance symbol	

Part number is refer to below tabale.

## ■ Standard Ratings

Max operating voltage(V)	Rated capacitance(F)	ELNA Parts No.	φ D× L (mm)
5.5	0.047	DHL- 5R5D473T	13.5× 9.5
5.5	0.1	DHL- 5R5D104T	13.5× 9.5
5.5	0.22	DHL- 5R5D224T	13.5× 9.5
5.5	1.0	DHL- 5R5D105T	21.5× 9.5

## NOTE

Design,Specifications are subject to change without notice.  
Ask factory for technical specifications before purchase and/or use.

## ELNA CO., LTD.

3-8-11 Shin-yokohama,kouhoku-ku,yokohama-city,kanagawa,222-0033 JAPAN  
TEL. +81-45-470-7254 FAX. +81-45-470-7260

**ELNA Co.,LTD.**<http://www.elna.co.jp/>