



Chipsmall Limited consists of a professional team with an average of over 10 year of expertise in the distribution of electronic components. Based in Hongkong, we have already established firm and mutual-benefit business relationships with customers from,Europe,America and south Asia,supplying obsolete and hard-to-find components to meet their specific needs.

With the principle of "Quality Parts,Customers Priority,Honest Operation,and Considerate Service",our business mainly focus on the distribution of electronic components. Line cards we deal with include Microchip,ALPS,ROHM,Xilinx,Pulse,ON,Everlight and Freescale. Main products comprise IC,Modules,Potentiometer,IC Socket,Relay,Connector.Our parts cover such applications as commercial,industrial, and automotives areas.

We are looking forward to setting up business relationship with you and hope to provide you with the best service and solution. Let us make a better world for our industry!



Contact us

Tel: +86-755-8981 8866 Fax: +86-755-8427 6832

Email & Skype: info@chipsmall.com Web: www.chipsmall.com

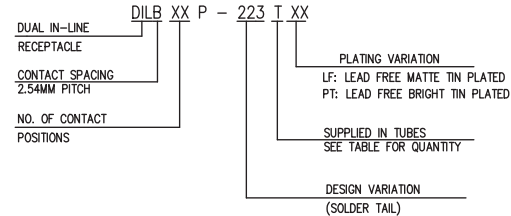
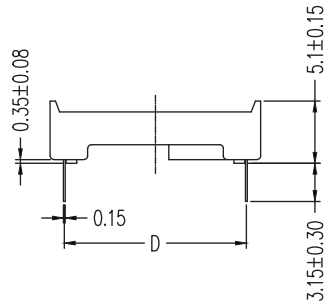
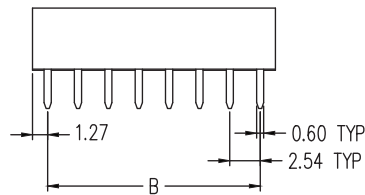
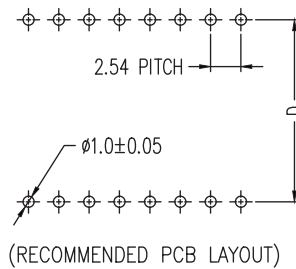
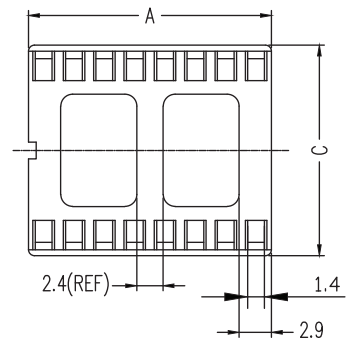
Address: A1208, Overseas Decoration Building, #122 Zhenhua RD., Futian, Shenzhen, China



CATALOG NO	NO.OF CONTACTS	TABLE OF DIMENSIONS			
		A±0.30	B±0.25	C±0.30	D±0.20
DILB8P-223TXX	8P	10.16	7.62	10.16	7.62
DILB14P-223TXX	14P	17.78	15.24		
DILB16P-223TXX	16P	20.32	17.78		
DILB18P-223TXX	18P	22.86	20.32		
DILB20P-223TXX	20P	25.40	22.86	17.78	15.24
DILB24P-224TXX	24P	30.48	27.94		
DILB24P-223TXX	24P	30.48	27.94		
DILB28P-223TXX	28P	35.56	33.02		
DILB32P-223TXX	32P	40.64	38.10		
DILB40P-223TXX	40P	50.80	48.26		
DILB42P-223TXX	42P	53.34	50.80		

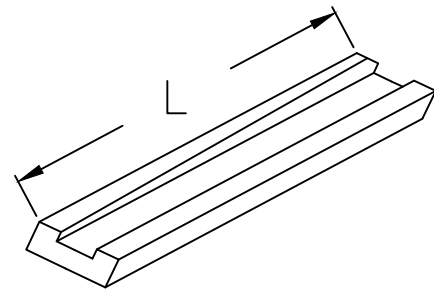
NOTES

- MATERIALS
HOUSING: POLYAMIDE, UL94V-0 COLOR IN BLACK.
CONTACT: COPPER ALLOY.
- FINISH
100u" MIN. MATTE OR BRIGHT TIN OVER 50u" MIN. NICKEL.
- PERFORMANCE CHARACTERISTICS
 - OPERATING VOLTAGE: 200VAC;
 - CONTACT RESISTANCE: 30 MILLIOHMS MAX. AT 6 VDC;
 - CURRENT RATING: 1 AMP. MAX.;
 - OPERING TEMPERATURE: CONTINUOUS, -55°C TO 105°C;
 - INSULATION RESISTANCE: 1000 MEGAOHMS MIN AT 500 VDC;
 - DIELECTRIC WITHSTANDING VOLTAGE: 1000 VAC RMS MIN.;
 - DURABILITY: NO ELECTRICAL DEGRADATION AFTER 25 CYCLES;
 - THERMAL SHOCK: NO PHYSICAL OR ELECTRICAL DEGRADATION PER MIN-STD-1344, METHOD 1003, COND A;
 - MOISTURE RESISTANCE: 300 MEGAOHMS MIN PER MIL-STD-202, METHOD 106. OMIT STEPS 7a AND 7b;
 - VIBRATION: NO ELECTRICAL INTERRUPTION GREATER THAN 1 MICROSECOND PER MIL-STD-1344. METHOD 2005 COND III;
 - MECHANICAL SHOCK: NO ELECTRICAL INTERRUPTION GREATER THAN 1 MICROSECOND WHEN 17.64 oz (500g)S APPLIED FOR 0.75 MILLISECONDS;
 - FLAMMABILITY: UL94 V-0;
 - INSERTION FORCE 340.2g /CONTACT MAX.;
WITHDRAWAL FORCE: 14.5g/CONTACT MIN.;
- ORDERING INFORMATION

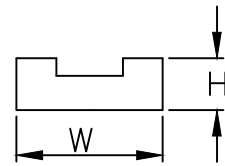


- DILBXXP-22XTLF: THE HOUSING WILL WITHSTAND EXPOSURE TO 260° PER PERK TEMPERATURE FOR 10 SECONDS IN A WAVE SOLDER APPLICATION.
- RECEPTACLE ACCEPTS 0.15 +/-0.03 mm THICK IC LEAD.

mat'l. code		surface ISO1302		tolerance ISO406 ISO1101		projection		product family	
ltr		ecn no		dr		date		title	
A		T05-0016		W.L		2005-01-24		EDGE CARD	
B		T06-0053		J.H		2006-03-28		DILB ASSEMBLY	
C		T06-0068		J.H		2006-07-07		scale 1:1	
D		ELX-I-24650		SAL		2016-08-03		dwg no sheet 1 of 2 size	
E		ELX-I-24704		SAL		2016-08-11		10052485 A4	
F		ELX-I-26235		J.J		2017-03-03		type Product-Customer Drw	
sheet index		revision sheet		F F		1 2			



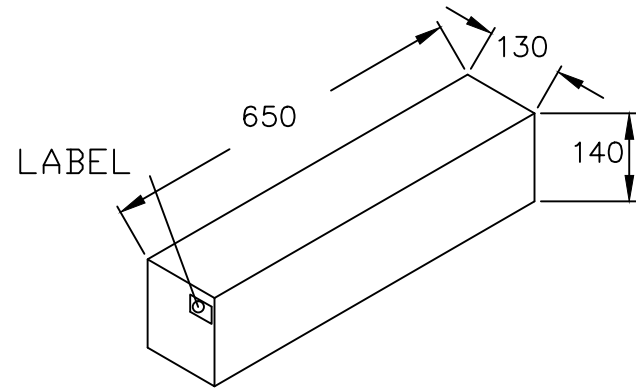
L	635	635
W	136	136
H	116	116



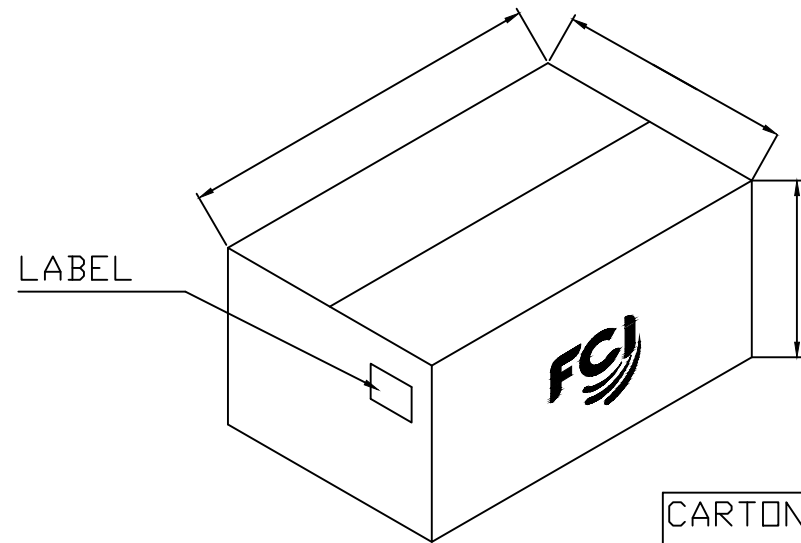
TUBE

DILB PACKING LIST FOR TUBE

Part Number	Pins	Length	Width	Height	Weight	Quantity
DILB8P-223TXX	8P	60	100	6000	3	18000
DILB14P-223TXX	14P	34	100	3400	3	10200
DILB16P-223TXX	16P	30	100	3000	3	9000
DILB18P-223TXX	18P	26	100	2600	3	7800
DILB20P-223TXX	20P	24	100	2400	3	7200
DILB24P-224TXX	24P	20	100	2000	3	6000
DILB24P-223TXX	24P	20	60	1200	3	3600
DILB28P-223TXX	28P	17	60	1020	3	3060
DILB32P-223TXX	32P	15	60	900	3	2700
DILB40P-223TXX	40P	12	60	720	3	2160
DILB42P-223TXX	42P	11	60	660	3	1980



BOX



CARTON

mat'l. code		surface ISO1302 <input checked="" type="checkbox"/> ISO406 ISO1101		tolerance ISO406 ISO1101		projection 		product family EDGE CARD	
ltr	ecn no	dr	date	tolerances unless otherwise specified		MM		title	
D	ELX-I-24650	SAL	2016-08-03	angles	.X ± 0.3	← MM →		DILB ASSEMBLY	
E	ELX-I-24704	SAL	2016-08-11	lineal	.XX ± 0.2	scale 1:1		dwg no	
F	ELX-I-26235	J.J	2017-03-03	0° ± 2'	.XXX ± 0.05			sheet 2 of 2	
		dr	WADE LIU	2005-01-05			size		5
		enr	WADE LIU	2005-01-05			10052485		A4
		chr	S. ALOSUIS	2017-03-03			type		B
		appd	BUU K PAUL	2017-03-03			Product-Customer Drw		
sheet index	revision sheet	F	F						
	1	2							